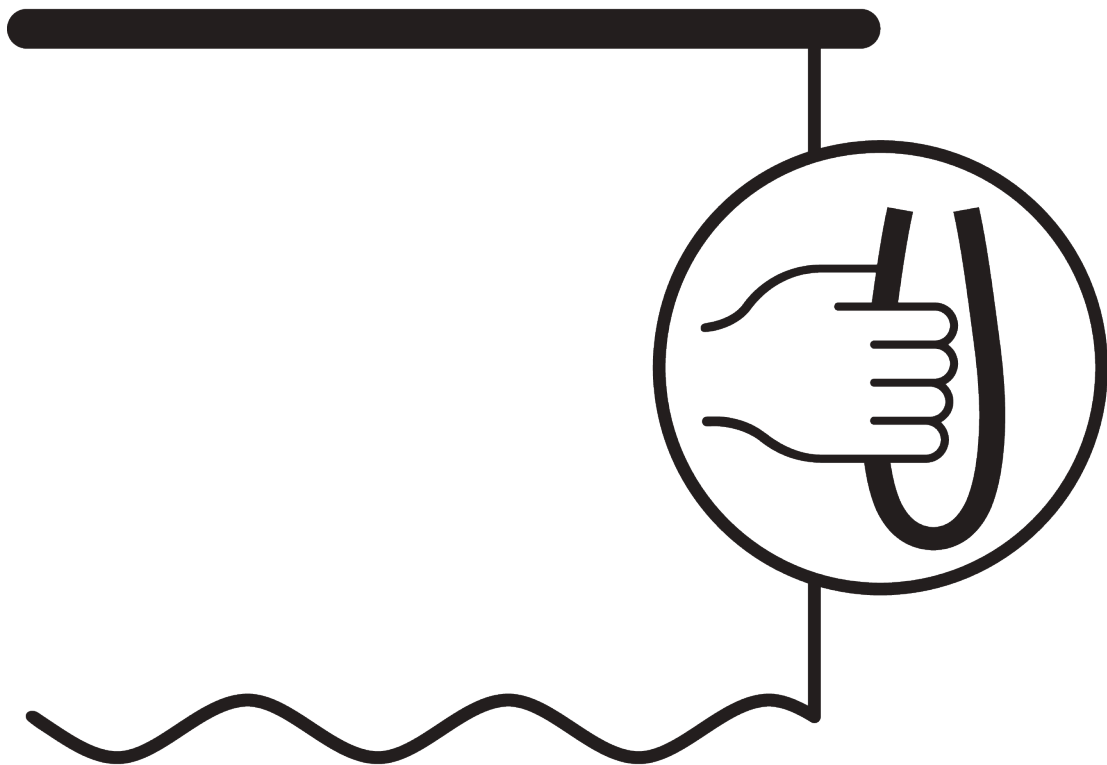


CORD OPERATED CURTAIN TRACK SYSTEMS



GENERAL NOTES

Dimensions

- Measurements are in mm except where indicated.
- Max. kg relates to fabric incl. accessories.
- Stack size depends on curtain make-up and fabric thickness.
- Distance between gliders max. 80 mm / distance between rollers max. 100 mm.
- Recommended distance floor / fabric: 20 mm.
- In order to determine system height (B), the smallest room height must be taken into account.
- Full functionality may be affected if the curtain touches the profile.
















Fitting

- Installation by qualified fitter only.
- Number of brackets and fitting positions / fixing points vary depending on fitting surface, system weight, fabric make-up, screw / fixing type and obstacles.
- Qualified fitter must use appropriate screws / fixings for each situation.
- Profile lip if applicable to be installed to room side.

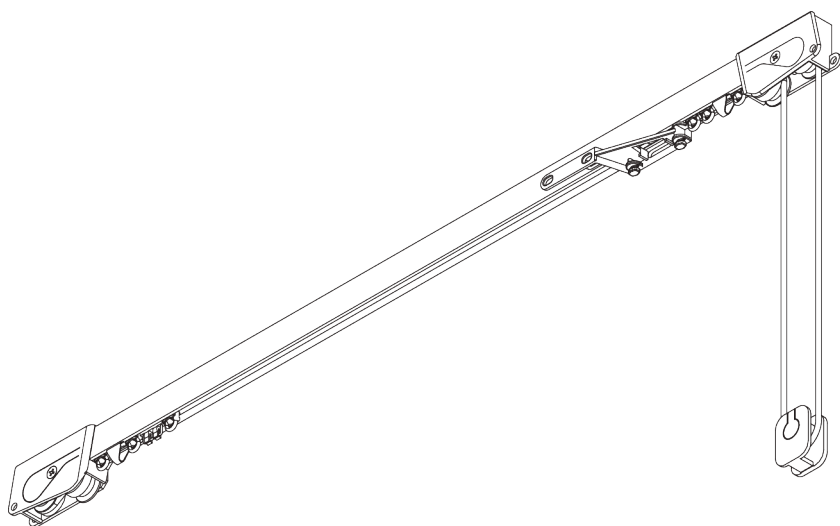
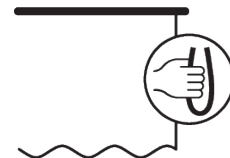
Child Safety

- All relevant Silent Gliss systems correspond to child safety EN 13120.
- All parties involved must comply with EN 13120.

APPLICATION CHART

| <u>PAGE</u> | <u>SYSTEM</u> | <u>OPERATION</u> | <u>DIMENSION</u> | <u>DESIGN</u> | <u>WAVE</u> | ← max. → | kg _{max.} |
|-------------|----------------|---|------------------|--|---|----------|--------------------|
| 5 | SG 3000 |  | S - M |  | | 6 m | 15 kg |
| 13 | SG 3840 |  | M - L |  |  | 6 m | 14 kg |
| 25 | SG 3870 |  | M - L |  |  | 6 m | 14 kg |
| 37 | SG 3900 |  | M - L |  | | 12 m | 20 kg |
| 45 | SG 3970 |  | M - L |  |  | 15 m | 38 kg |
| 55 | SG 6370 |  | L |  | | 15 m | 66 kg |

SG 3000



PRODUCT INFORMATION

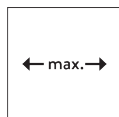
- **Operation:** cord
- **Range:** S - M
- **Fitting:** ceiling, wall
- **Colours:** white RAL 9016; special colours or anodised aluminum possible
- **Fabrics:** refer to Silent Gliss fabric collection

Features:

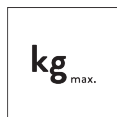
- Bendable

SYSTEM SPECIFICATIONS

A. SYSTEM DIMENSIONS



6 m



15 kg

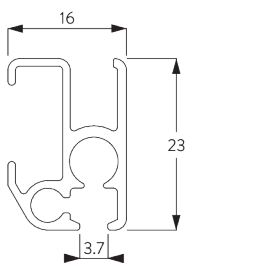
Max. curtain weight

| | 2 m | 4 m | 6 m |
|--|-----|-----|-----|
| | 15 | 14 | 13 |
| | 15 | 14 | 13 |
| | 10 | 7 | 5 |
| | 10 | 7 | 5 |
| | 5 | 4 | 3 |
| | 5 | 4 | 3 |
| | 4 | 3 | - |
| | 4 | 3 | - |

(kg max.)

B. PROFILE

Profile and bending information

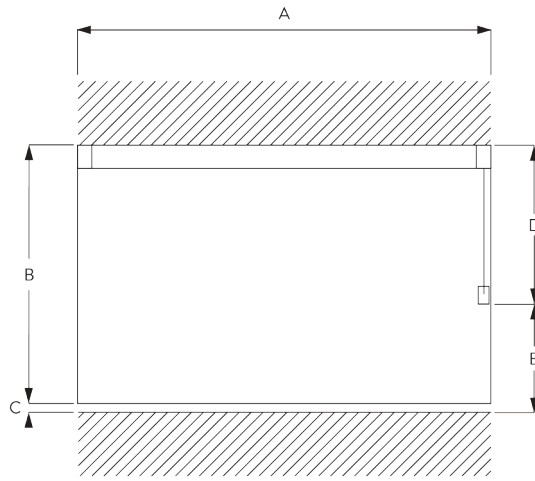


SG 1082

Profile

Radius:
✓ 10 cm, 20 cm, >30 cm

**C. HOW TO
MEASURE**



- A: System width
- B: System height
- C: Distance between floor and fabric
- D: Cord height
- E: Safety Retainer SG 10731 min. 150 cm above floor

**D. SPECIFICATION
TEXT**

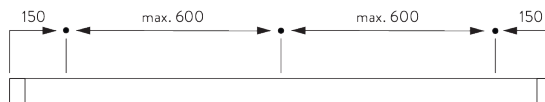
Silent Gliss SG 3000 Cord Operated Curtain Track System. Comprises aluminium profile SG 1082 supplied made to measure in powder coated white with gliders SG 3533 at 14/m, cord guide/return set SG 3288, pilot runner SG 3030 and SG 3213, overlap SG 3242 and cord SG 3090. Face fixed with nylon bracket SG 3630 / SG 3655 / SG 3660 / SG Smart Fix / top fixed with nylon bracket SG 3603 at 600 to 800mm centres. Compliant to Child Safety legislation EN 13120.

FITTING

**A. FITTING
INFORMATION**

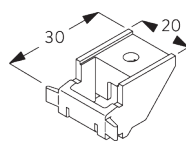
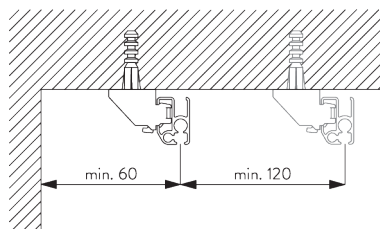
For detailed fitting information, visit the Silent Gliss website.

Fixing points



B. CEILING FITTING

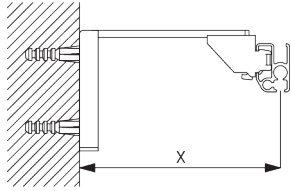
Bracket SG 3603



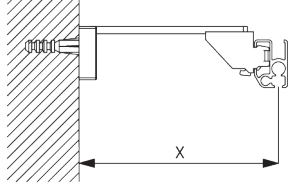
SG 3603
Bracket

C. WALL FITTING

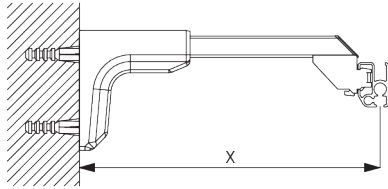
Smart Fix



Smart Fix SG 11200 - SG 11205 and bracket SG 3603:
Screw SG 10492 (M4x8) needed.

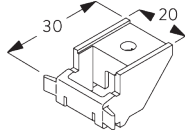


Square Smart Fix SG 11210 - SG 11215 and bracket SG 3603:
Screw SG 10492 (M4x8) needed.



Universal Smart Fix SG 11154 - SG 11156 and bracket SG 3603:
Screw SG 10277 (M4x12) needed.

| Smart Fix | X mm |
|---------------------|---------|
| SG 11200 / SG 11210 | 76 |
| SG 11201 / SG 11211 | 96 |
| SG 11202 / SG 11212 | 116 |
| SG 11203 / SG 11213 | 136 |
| SG 11204 / SG 11214 | 166 |
| SG 11205 / SG 11215 | 216 |
| SG 11154 | 127-155 |
| SG 11155 | 157-185 |
| SG 11156 | 207-235 |



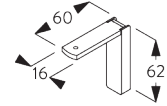
SG 3603
Bracket



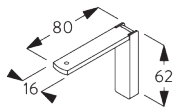
SG 10277
Pan head screw M4x12



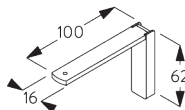
SG 10492
Pan head screw M4x8



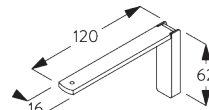
SG 11200
Smart Fix 60 mm



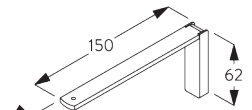
SG 11201
Smart Fix 80 mm



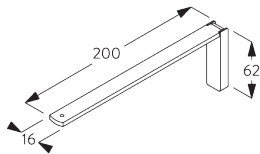
SG 11202
Smart Fix 100 mm



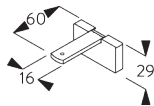
SG 11203
Smart Fix 120 mm



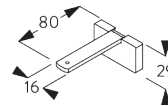
SG 11204
Smart Fix 150 mm



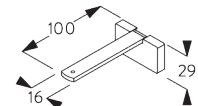
SG 11205
Smart Fix 200 mm



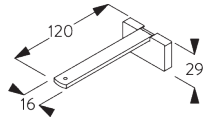
SG 11210
Square Smart Fix 60 mm



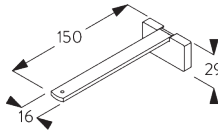
SG 11211
Square Smart Fix 80 mm



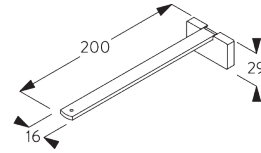
SG 11212
Square Smart Fix 100 mm



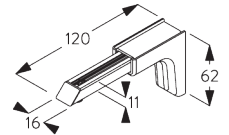
SG 11213
Square Smart Fix 120 mm



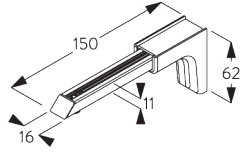
SG 11214
Square Smart Fix 150 mm



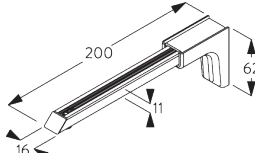
SG 11215
Square Smart Fix 200 mm



SG 11154
Universal Smart Fix 120 mm

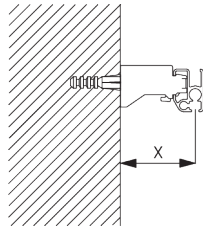


SG 11155
Universal Smart Fix 150 mm

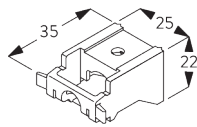


SG 11156
Universal Smart Fix 200 mm

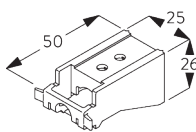
**Universal brackets
SG 3630, SG 3655,
SG 3660**



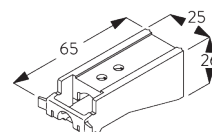
| Bracket | X mm |
|----------------|-------------|
| SG 3630 | 39 |
| SG 3655 | 54 |
| SG 3660 | 69 |



SG 3630
Bracket 35 mm



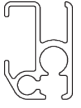


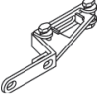


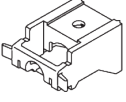

SG 3655
Bracket 50 mm



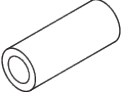
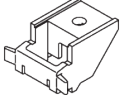

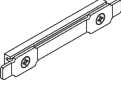

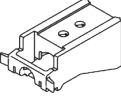
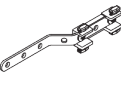
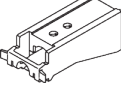

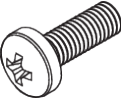

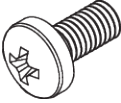
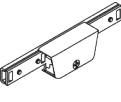
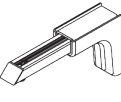

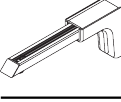

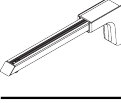
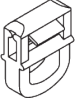
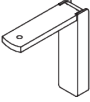

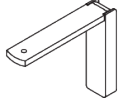

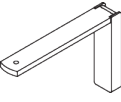

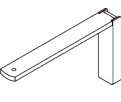

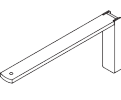
SG 3660
Bracket 65 mm

PARTS

A. STANDARD PARTS

| | |
|--|--|
|  | SG 1082 Profile |
|  | SG 3070 End stop |
|  | SG 3090 Cord ø 3.5 mm |
|  | SG 3242 Overlap arm |
|  | SG 3288 Cord guide set |
|  | SG 3533 Glider |
|  | SG 3630 Bracket 35 mm |
|  | SG 10731 Child safety retainer set |

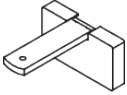
B. OPTIONAL PARTS

| | | | |
|---|--|---|---|
|  | SG 1105 Spacer |  | SG 3603 Bracket |
|  | SG 3030 Pilot runner |  | SG 3620 Connection bridge |
|  | SG 3032 Spring stop |  | SG 3655 Bracket 50 mm |
|  | SG 3045 Overlap arm |  | SG 3660 Bracket 65 mm |
|  | SG 3091 Cord ø 3.5 mm |  | SG 10277 Pan head screw M4x12 |
|  | SG 3151 Spacer |  | SG 10492 Pan head screw M4x8 |
|  | SG 3208 Intermediate guide |  | SG 11154 Universal Smart Fix 120 mm |
|  | SG 3289 Cord guide set |  | SG 11155 Universal Smart Fix 150 mm |
|  | SG 3534 Glider 3533 on strip |  | SG 11156 Universal Smart Fix 200 mm |
|  | SG 3548 Glider |  | SG 11200 Smart Fix 60 mm |
|  | SG 3570 Glider |  | SG 11201 Smart Fix 80 mm |
|  | SG 3571 Hook |  | SG 11202 Smart Fix 100 mm |
|  | SG 3582 Hook |  | SG 11203 Smart Fix 120 mm |
|  | SG 3599 Hook |  | SG 11204 Smart Fix 150 mm |



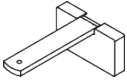
SG 11205

Smart Fix 200 mm



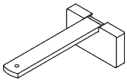
SG 11210

Square Smart Fix 60 mm



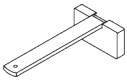
SG 11211

Square Smart Fix 80 mm



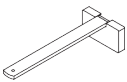
SG 11212

Square Smart Fix 100 mm



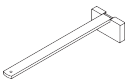
SG 11213

Square Smart Fix 120 mm



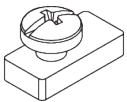
SG 11214

Square Smart Fix 150 mm



SG 11215

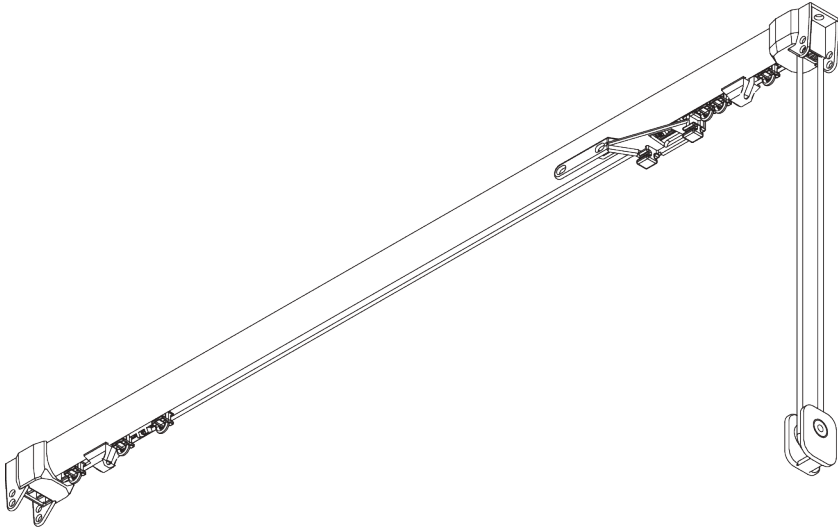
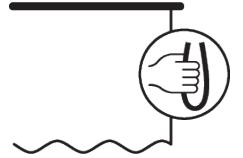
Square Smart Fix 200 mm



SG 11335

End stop

SG 3840



PRODUCT INFORMATION

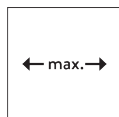
- **Operation:** cord
- **Range:** M - L
- **Fitting:** ceiling, wall
- **Colours:** white RAL 9016, black RAL 9005 or anodised aluminum, special colours possible
- **Fabrics:** refer to Silent Gliss fabric collection

Features:

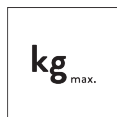
- 2-component (2C) glider technology
- Wave (2C)
- Bendable

SYSTEM SPECIFICATIONS

A. SYSTEM DIMENSIONS



6 m



14 kg

Max. curtain weight - 2C glider or roller

| | 2 m | 4 m | 6 m |
|--|-----|-----|-----|
| | 12 | 11 | 10 |
| | 14 | 13 | 12 |
| | 9 | 8 | 7 |
| | 10 | 9 | 6 |
| | 6 | 5 | 4 |
| | 7 | 6 | 5 |
| | 5 | 4 | 3 |
| | 6 | 5 | 4 |

(kg max.)

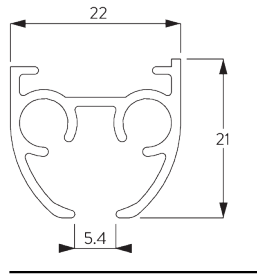
Max. curtain weight - Wave 2C glider cord

| | 2 m | 4 m | 6 m |
|--|-----|-----|-----|
| | 5 | 8 | 7 |
| | 5 | 8 | 8 |
| | 5 | 6 | 5 |
| | 5 | 6 | 6 |
| | 4 | 3 | - |
| | 4 | 4 | 3 |
| | 3 | 2 | - |
| | 3 | 3 | - |

(kg max.)

B. PROFILE

Profile and bending information

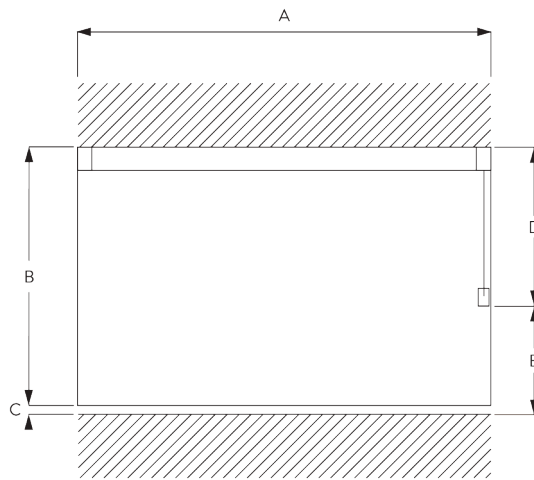


SG 3841

Profile

Radius:
20 cm, >30 cm

C. HOW TO MEASURE



A: System width
B: System height
C: Distance between floor and fabric
D: Cord height
E: Safety Retainer SG 10731 min. 150 cm above floor

D. SPECIFICATION

TEXT

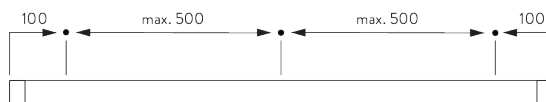
Silent Gliss SG 3840 Cord Operated Curtain Track System. Comprising aluminium profile SG 3841 supplied made to measure in silver anodised or powder coated in white / matt white / anodic grey / antique bronze / charcoal / black. Supplied as standard with 2C gliders SG 11300 at 14/m, cord guide/return set SG 3845, pilot runner SG 3842/3, overlap SG 6288 and cord SG 3090. Top fixed with fixing clamp SG 3825 at max. 500mm centres. Optional top fix bracket SG 3826 / SG 3832. Wall fix with nylon bracket SG 3836 / SG Smart Fix brackets SG 11200-11205 / SG Square Smart Fix brackets SG 11210 - 11215 / SG Universal Smart Fix brackets SG 11154 - 11156 with either SG 3832 or SG 3826 brackets. Silent Gliss Wave option is available using 60mm glider cord SG 11303 / 80mm glider cord SG 11302. Compliant to Child Safety legislation EN 13120.

FITTING

A. FITTING INFORMATION

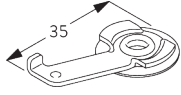
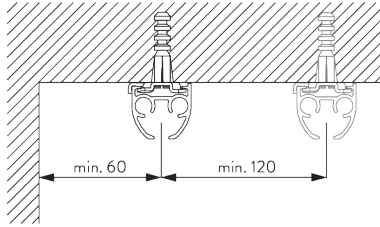
Fixing Points

For detailed fitting information, visit the Silent Gliss website.



B. CEILING FITTING

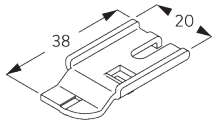
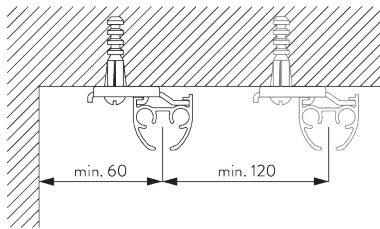
Clamp SG 3825



SG 3825

Clamp

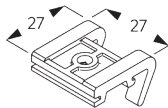
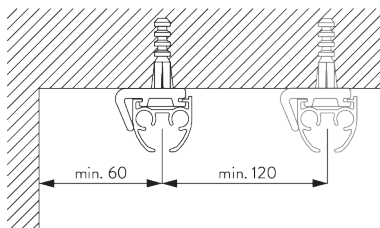
Bracket SG 3832



SG 3832

Bracket

Bracket SG 3826

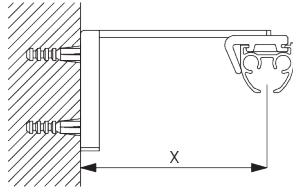


SG 3826

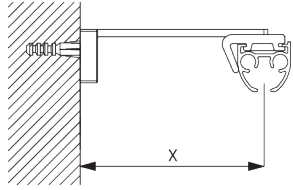
Bracket

C. WALL FITTING

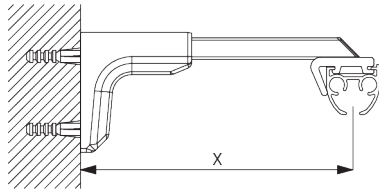
Smart Fix



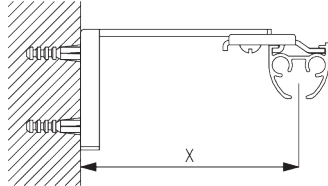
Smart Fix SG 11200 - SG 11205 and bracket SG 3826:
Screw SG 10492 (M4x8) needed.



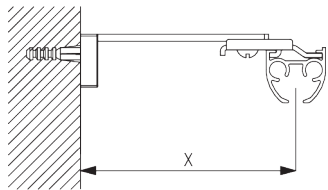
Square Smart Fix SG 11210 - SG 11215 and bracket SG 3826:
Screw SG 10492 (M4x8) needed.



Universal Smart Fix SG 11154 - SG 11156 and bracket SG 3826:
Screw SG 10277 (M4x12) needed.

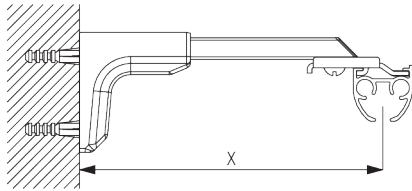


Smart Fix SG 11200 - SG 11205 and bracket SG 3832:
Screw SG 10492 (M4x8) needed.



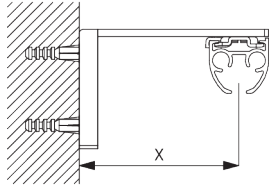
Square Smart Fix SG 11210 - SG 11215 and bracket SG 3832:
Screw SG 10492 (M4x8) needed.

| Smart Fix | X mm (SG 3826 / SG 3825) | X mm (SG 3832) |
|---------------------|--------------------------|----------------|
| SG 11200 / SG 11210 | 52 | 70 |
| SG 11201 / SG 11211 | 72 | 90 |
| SG 11202 / Sg 11212 | 92 | 110 |
| SG 11203 / SG 11213 | 112 | 130 |
| SG 11204 / SG 11214 | 142 | 160 |
| SG 11205 / SG 11215 | 192 | 210 |
| SG 11154 | 102-130 | 120-148 |
| SG 11155 | 132-160 | 150-178 |
| SG 11156 | 182-210 | 200-228 |



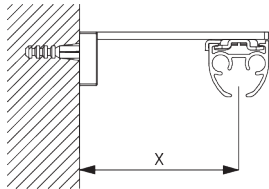
Universal Smart Fix SG 11154 - SG 11156 and bracket SG 3832:

Screw SG 10407 (M4x10) needed.



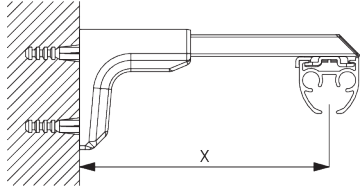
Smart Fix SG 11200 - SG 11205 and clamp SG 3825:

Screw SG 10074 (M4x8) needed.



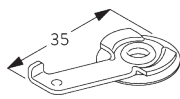
Square Smart Fix SG 11210 - SG 11215 and clamp SG 3825:

Screw SG 10074 (M4x8) needed.



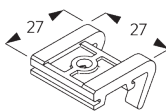
Universal Smart Fix SG 11154 - SG 11156 and clamp SG 3825:

Screw SG 11158 (M4x12) needed.



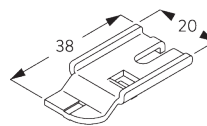
SG 3825

Clamp



SG 3826

Bracket



SG 3832

Bracket



SG 10074

Countersunk head screw
M4x8



SG 10277

Pan head screw M4x12



SG 10407

Pan head screw M4x10



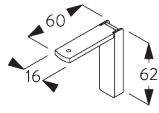
SG 10492

Pan head screw M4x8

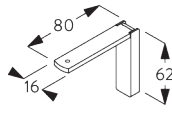


SG 11158

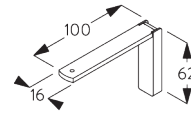
Countersunk head screw
M4x12



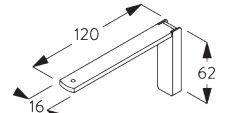
SG 11200
Smart Fix 60 mm



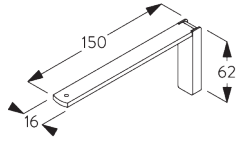
SG 11201
Smart Fix 80 mm



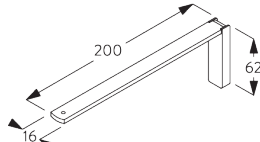
SG 11202
Smart Fix 100 mm



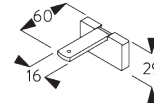
SG 11203
Smart Fix 120 mm



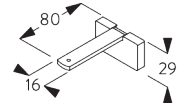
SG 11204
Smart Fix 150 mm



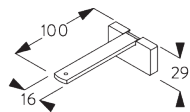
SG 11205
Smart Fix 200 mm



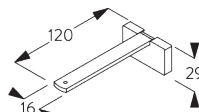
SG 11210
Square Smart Fix 60 mm



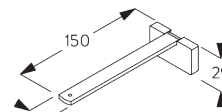
SG 11211
Square Smart Fix 80 mm



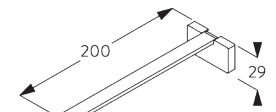
SG 11212
Square Smart Fix 100 mm



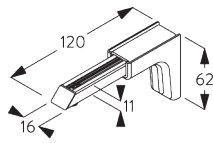
SG 11213
Square Smart Fix 120 mm



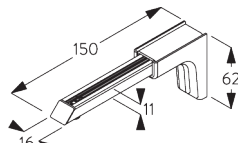
SG 11214
Square Smart Fix 150 mm



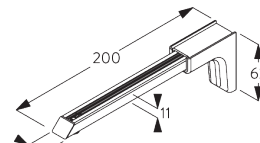
SG 11215
Square Smart Fix 200 mm



SG 11154
Universal Smart Fix 120 mm

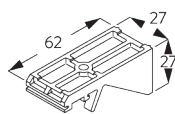
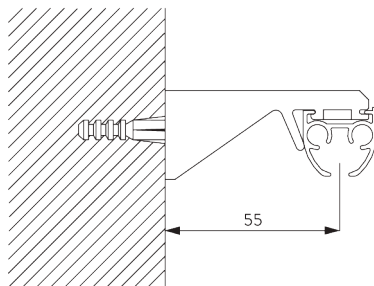


SG 11155
Universal Smart Fix 150 mm



SG 11156
Universal Smart Fix 200 mm

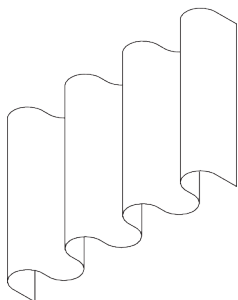
Bracket SG 3836



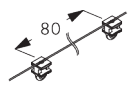
SG 3836
Bracket

SYSTEM OPTIONS

A. WAVE



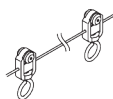
SG 11295



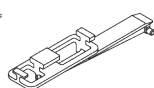
SG 11302

Standard components:

- SG 11295 End stop
- SG 11302 Wave 2C glider cord 80 mm



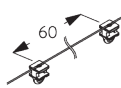
SG 6099



SG 6364



SG 6365



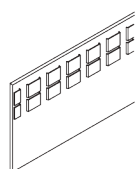
SG 11303

Optional component (min. radius >30 cm):

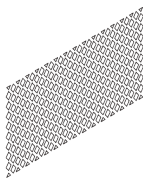
- SG 6099 Wave roller cord 80 mm
- SG 6364 Wave extension
- SG 6365 Wave hanger
- SG 11303 Wave 2C glider Cord 60 mm



SG 3582



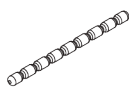
SG 6349



SG 6363

Curtain components:

- SG 3582 Hook
- SG 6349 Wave curtain tape
- SG 6363 Wave top hemming tape
- SG 10075 Lead weight 50 gr/m
- SG 10076 Fabric weight

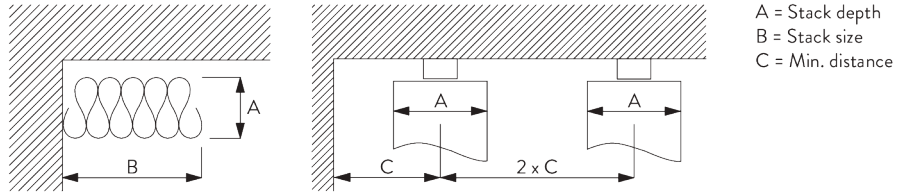


SG 10075



SG 10076

Wave stack depth - 2C glider cord (standard components)



| 2C Glider cord SG 11302 | Pockets between hooks | Approx. curtain fullness | Stack depth A | Stack size B* | Min distance C |
|----------------------------|--------------------------|-----------------------------|------------------|---------------------------|-------------------|
| 80 | 6 | ~2.1 | 140 | 180 per metre of track | 90 |
| 80 | 7 | ~2.3 | 160 | 180 per metre of track | 100 |





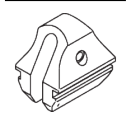


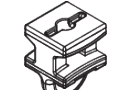
| 2C Glider cord SG 11303 | Pockets between hooks | Approx. curtain fullness | Stack depth A | Stack size B* | Min distance C |
|----------------------------|--------------------------|-----------------------------|------------------|---------------------------|-------------------|
| 60 | 4 | ~2.1 | 100 | 230 per metre of track | 70 |
| 60 | 5 | ~2.3 | 120 | 230 per metre of track | 80 |

*Stack size B

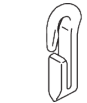



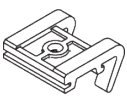
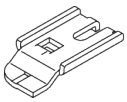
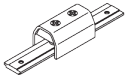
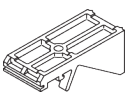

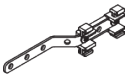



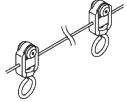
- Standard = plus 35 mm per curtain
- Optional extension arm SG 6364 = plus 130 mm per curtain

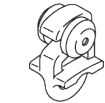
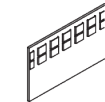
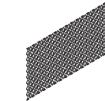
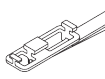
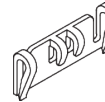
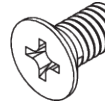
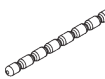

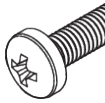
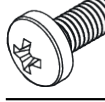
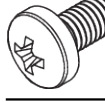
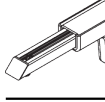
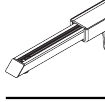

PARTS

A. STANDARD PARTS

| | |
|--|--|
|  | SG 3090 Cord ø 3.5 mm |
|  | SG 3825 Clamp |
|  | SG 3841 Profile |
|  | SG 3845 Cord guide set |
|  | SG 6086 Spring stop |
|  | SG 6288 Overlap arm |
|  | SG 10731 Child safety retainer set |
|  | SG 11300 2C glider |

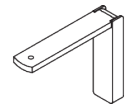
B. OPTIONAL PARTS

| | |
|---|--|
|  | SG 3571 Hook |
|  | SG 3582 Hook |
|  | SG 3599 Hook |
|  | SG 3802 Connection bridge |
|  | SG 3826 Bracket |
|  | SG 3832 Bracket |
|  | SG 3833 Intermediate guide |
|  | SG 3836 Bracket |
|  | SG 6053 Spring stop |
|  | SG 6063 Overlap arm |
|  | SG 6064 End stop |
|  | SG 6065 End stop |
|  | SG 6094 Roller |
|  | SG 6099 Wave roller cord 80 mm |

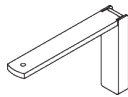
| | |
|---|--|
|  | SG 6283 Roller |
|  | SG 6349 Wave curtain tape |
|  | SG 6363 Wave top hemming tape |
|  | SG 6364 Wave extension |
|  | SG 6365 Wave hanger |
|  | SG 10074 Countersunk head screw M4x8 |
|  | SG 10075 Lead weight 50 g/m |
|  | SG 10076 Fabric weight |
|  | SG 10277 Pan head screw M4x12 |
|  | SG 10407 Pan head screw M4x10 |
|  | SG 10492 Pan head screw M4x8 |
|  | SG 11154 Universal Smart Fix 120 mm |
|  | SG 11155 Universal Smart Fix 150 mm |
|  | SG 11156 Universal Smart Fix 200 mm |



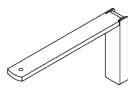
SG 11200
Smart Fix 60 mm



SG 11201
Smart Fix 80 mm



SG 11202
Smart Fix 100 mm



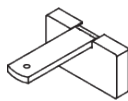
SG 11203
Smart Fix 120 mm



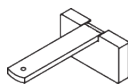
SG 11204
Smart Fix 150 mm



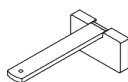
SG 11205
Smart Fix 200 mm



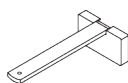
SG 11210
Square Smart Fix 60 mm



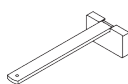
SG 11211
Square Smart Fix 80 mm



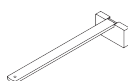
SG 11212
Square Smart Fix 100 mm



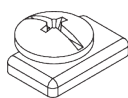
SG 11213
Square Smart Fix 120 mm



SG 11214
Square Smart Fix 150 mm



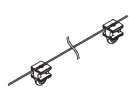
SG 11215
Square Smart Fix 200 mm



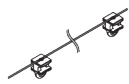
SG 11295
End stop



SG 11301
2C glider on strip

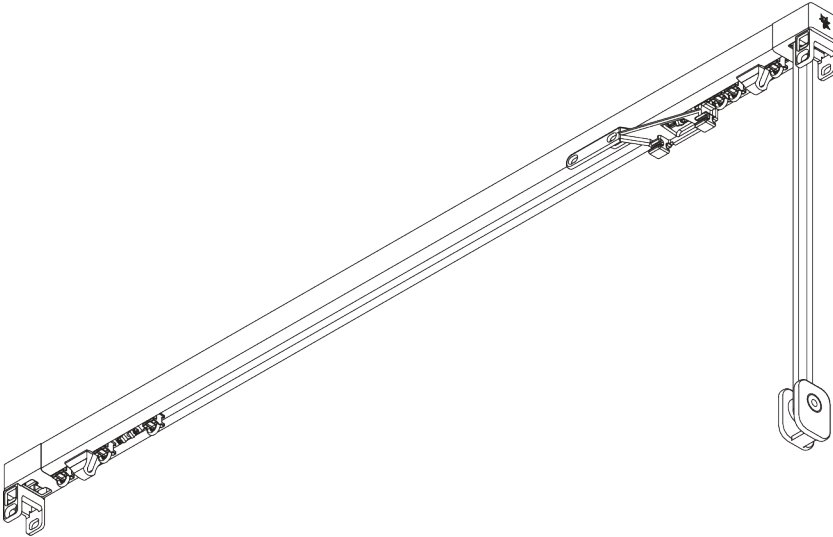
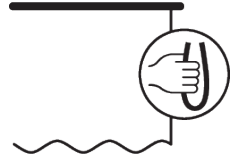


SG 11302
Wave 2C glider cord 80 mm



SG 11303
Wave 2C glider cord 60 mm

SG 3870



PRODUCT INFORMATION

- **Operation:** cord
- **Range:** M - L
- **Fitting:** ceiling, wall, recess
- **Colours:** white RAL 9016, black RAL 9005 or anodised aluminum, special colours possible (recess profile only in white RAL 9016, black RAL 9005 or special color)
- **Fabrics:** refer to Silent Gliss fabric collection

Features:

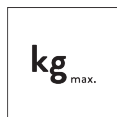
- 2-component (2C) glider technology
- Wave (2C)
- Bendable
- Bendable recess profile

SYSTEM SPECIFICATIONS

A. SYSTEM DIMENSIONS



6 m



14 kg

Max. curtain weight - 2C glider or roller

| | 2 m | 4 m | 6 m |
|--|-----|-----|-----|
| | 12 | 11 | 10 |
| | 14 | 13 | 12 |
| | 9 | 8 | 7 |
| | 10 | 9 | 6 |
| | 6 | 5 | 4 |
| | 7 | 6 | 5 |
| | 5 | 4 | 3 |
| | 6 | 5 | 4 |

(kg max.)

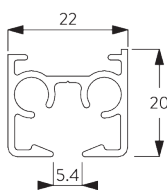
Max. curtain weight - Wave 2C glider cord

| | 2 m | 4 m | 6 m |
|--|-----|-----|-----|
| | 5 | 8 | 7 |
| | 5 | 8 | 8 |
| | 5 | 6 | 5 |
| | 5 | 6 | 6 |
| | 4 | 3 | - |
| | 4 | 4 | 3 |
| | 3 | 2 | - |
| | 3 | 3 | - |

(kg max.)

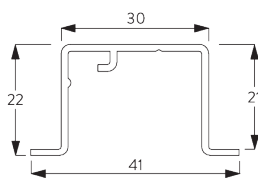
B. PROFILE

Profile and bending information



SG 11190

Profile

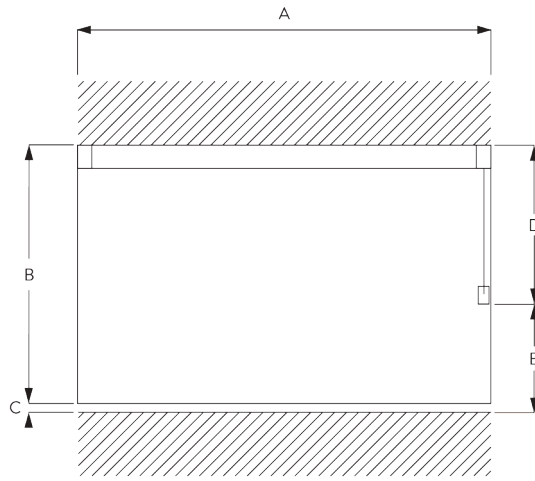


SG 11230

Recess profile



**C. HOW TO
MEASURE**



- A: System width
- B: System height
- C: Distance between floor and fabric
- D: Cord height
- E: Safety Retainer SG 10731 min. 150 cm above floor

**D. SPECIFICATION
TEXT**

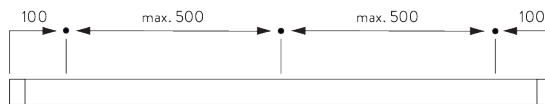
Silent Gliss SG 3870 Cord Operated Curtain Track System. Comprising aluminium profile SG 11190 supplied made to measure in silver anodised or powder coated in white / matt white / anodic grey / charcoal / antique bronze / black. Supplied as standard with 2C gliders SG 11300 at 14/m, cord guide/return set SG 11285, overlap SG 6288, spring stop SG 6086 and cord SG 3090. Top fixed with fixing clamp SG 3825 at 500mm centres. Optional top fix bracket SG 3832 / SG 3826. Wall fix with SG Smart Fix brackets SG 11200-11205 / SG Square Smart Fix brackets SG 11210-11215 / SG Universal Smart Fix brackets SG 11154-11156 with either SG 3832 or SG 3826 brackets. Recess fix with recess profile SG 11230 and SG 10157 clamps. Silent Gliss Wave option is available using 60mm glider cord SG 11303 / 80mm glider cord SG 11302. Compliant to Child Safety legislation EN 13120.

FITTING

**A. FITTING
INFORMATION**

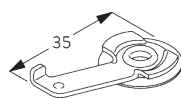
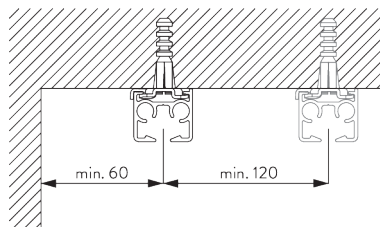
For detailed fitting information, visit the Silent Gliss website.

Fixing points



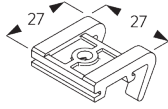
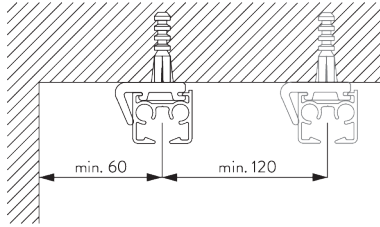
B. CEILING FITTING

Clamp SG 3825



SG 3825
Clamp

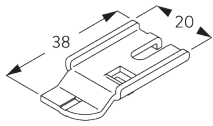
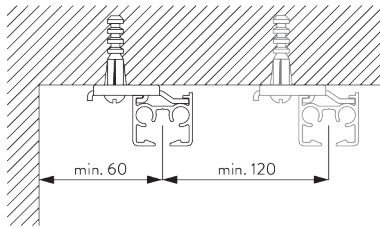
Bracket SG 3826



SG 3826

Bracket

Bracket SG 3832

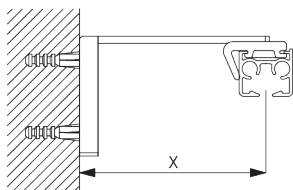


SG 3832

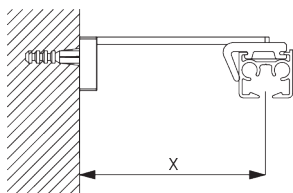
Bracket

C. WALL FITTING

Smart Fix

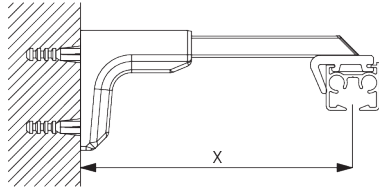


Smart Fix SG 11200 - SG 11205 and bracket SG 3826:
Screw SG 10492 (M4x8) needed.



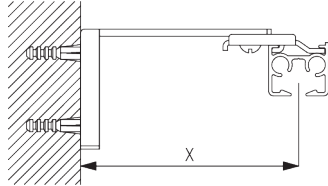
Square Smart Fix SG 11210 - SG 11215 and bracket SG 3826:
Screw SG 10492 (M4x8) needed.

| Smart Fix | X mm (SG 3826 / SG 3825) | X mm (SG 3832) |
|---------------------|--------------------------|----------------|
| SG 11200 / SG 11210 | 52 | 70 |
| SG 11201 / SG 11211 | 72 | 90 |
| SG 11202 / SG 11212 | 92 | 110 |
| SG 11203 / SG 11213 | 112 | 130 |
| SG 11204 / SG 11214 | 142 | 160 |
| SG 11205 / SG 11215 | 192 | 210 |
| SG 11154 | 102-130 | 120-148 |
| SG 11155 | 132-160 | 150-178 |
| SG 11156 | 182-210 | 200-228 |



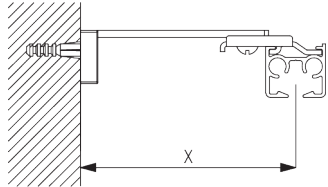
Universal Smart Fix SG 11154 - SG 11156 and bracket SG 3826:

Screw SG 10277 (M4x12) needed.



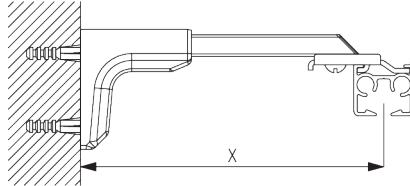
Smart Fix SG 11200 - SG 11205 and bracket SG 3832:

Screw SG 10492 (M4x8) needed.



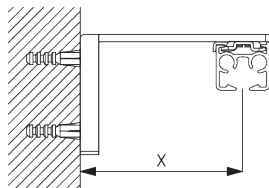
Square Smart Fix SG 11210 - SG 11215 and bracket SG 3832:

Screw SG 10492 (M4x8) needed.



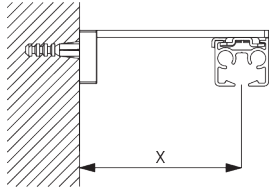
Universal Smart Fix SG 11154 - SG 11156 and bracket SG 3832:

Screw SG 10407 (M4x10) needed.

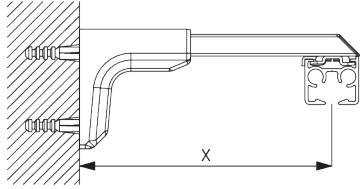


Smart Fix SG 11200 - SG 11205 and clamp SG 3825:

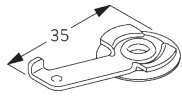
Screw SG 10074 (M4x8) needed.



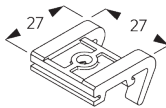
Square Smart Fix SG 11210 - SG 11215 and clamp SG 3825:
Screw SG 10074 (M4x8) needed.



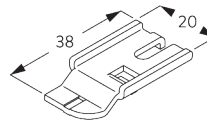
Universal Smart Fix SG 11154 - SG 11156 and clamp SG 3825:
Screw SG 11158 (M4x12) needed.



SG 3825
Clamp



SG 3826
Bracket



SG 3832
Bracket



SG 10074
Countersunk head screw
M4x8



SG 10277
Pan head screw M4x12



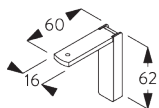
SG 10407
Pan head screw M4x10



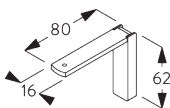
SG 10492
Pan head screw M4x8



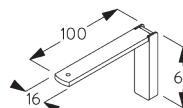
SG 11158
Countersunk head screw
M4x12



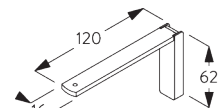
SG 11200
Smart Fix 60 mm



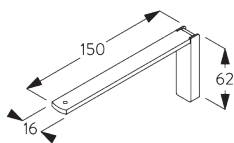
SG 11201
Smart Fix 80 mm



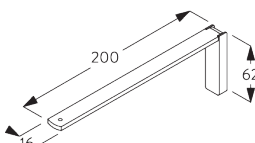
SG 11202
Smart Fix 100 mm



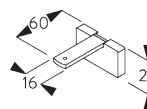
SG 11203
Smart Fix 120 mm



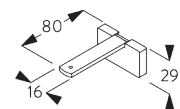
SG 11204
Smart Fix 150 mm



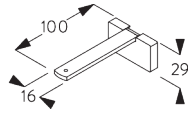
SG 11205
Smart Fix 200 mm



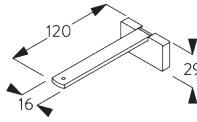
SG 11210
Square Smart Fix 60 mm



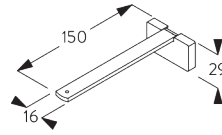
SG 11211
Square Smart Fix 80 mm



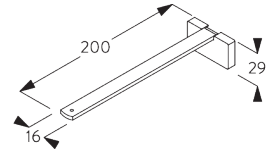
SG 11212
Square Smart Fix 100 mm



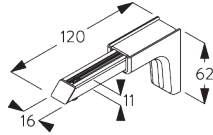
SG 11213
Square Smart Fix 120 mm



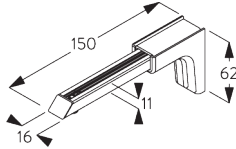
SG 11214
Square Smart Fix 150 mm



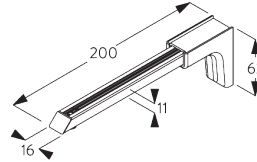
SG 11215
Square Smart Fix 200 mm



SG 11154
Universal Smart Fix 120 mm

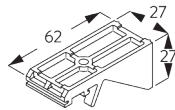
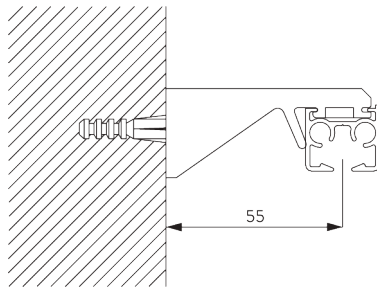


SG 11155
Universal Smart Fix 150 mm



SG 11156
Universal Smart Fix 200 mm

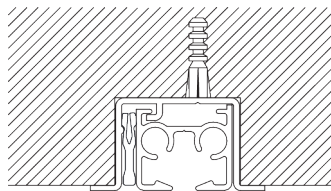
Bracket SG 3836



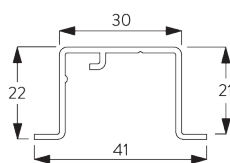
SG 3836
Bracket

D. RECESS FITTING

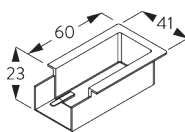
Recess profile SG 11230



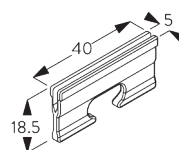
One wedge SG 10157 per fixing point.
For detailed recess fitting, visit the Silent Gliss website.



SG 11230
Recess profile



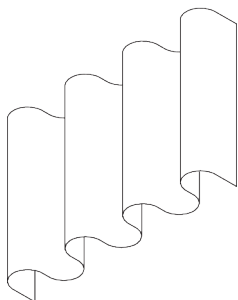
SG 11238
Recess Mask



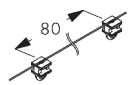
SG 10157
Wedge

SYSTEM OPTIONS

A. WAVE



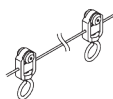
SG 11295



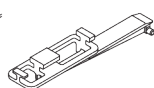
SG 11302

Standard components:

- SG 11295 End stop
- SG 11302 Wave 2C glider cord 80 mm



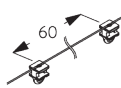
SG 6099



SG 6364



SG 6365



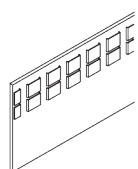
SG 11303

Optional component:

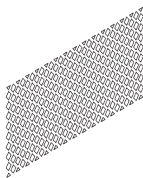
- SG 6099 Wave roller cord 80 mm
- SG 6364 Wave extension
- SG 6365 Wave hanger
- SG 11303 Wave 2C glider Cord 60 mm



SG 3582



SG 6349



SG 6363

Curtain components:

- SG 3582 Hook
- SG 6349 Wave curtain tape
- SG 6363 Wave top hemming tape
- SG 10075 Lead weight 50 gr/m
- SG 10076 Fabric weight

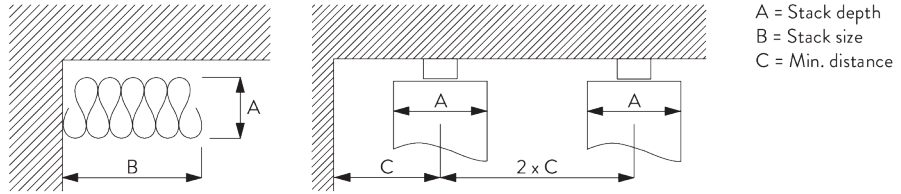


SG 10075



SG 10076

Wave stack depth - 2C glider cord (standard components)



| 2C Glider cord SG 11302 | Pockets between hooks | Approx. curtain fullness | Stack depth A | Stack size B* | Min distance C |
|----------------------------|--------------------------|-----------------------------|------------------|---------------------------|-------------------|
| 80 | 6 | ~2.1 | 140 | 180 per metre of track | 90 |
| 80 | 7 | ~2.3 | 160 | 180 per metre of track | 100 |



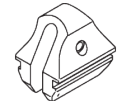
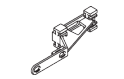
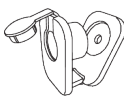



| 2C Glider cord SG 11303 | Pockets between hooks | Approx. curtain fullness | Stack depth A | Stack size B* | Min distance C |
|----------------------------|--------------------------|-----------------------------|------------------|---------------------------|-------------------|
| 60 | 4 | ~2.1 | 100 | 230 per metre of track | 70 |
| 60 | 5 | ~2.3 | 120 | 230 per metre of track | 80 |

*Stack size B

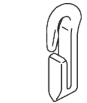



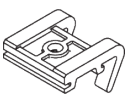
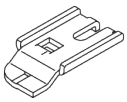
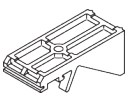

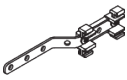


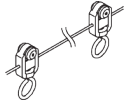


- Standard = plus 35 mm per curtain
- Optional extension arm SG 6364 = plus 130 mm per curtain

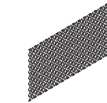
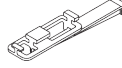
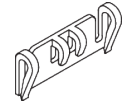
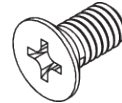

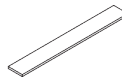
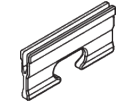

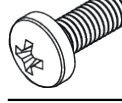
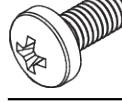
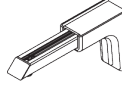
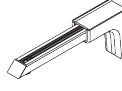

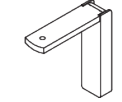
PARTS

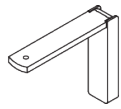
A. STANDARD PARTS

| | |
|--|--|
|  | SG 3090 Cord ø 3.5 mm |
|  | SG 3825 Clamp |
|  | SG 6086 Spring stop |
|  | SG 6288 Overlap arm |
|  | SG 10731 Child safety retainer set |
|  | SG 11190 Profile |
|  | SG 11285 Guide set |
|  | SG 11300 2C glider |

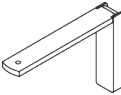
B. OPTIONAL PARTS

| | |
|---|--|
|  | SG 3571 Hook |
|  | SG 3582 Hook |
|  | SG 3599 Hook |
|  | SG 3802 Connection bridge |
|  | SG 3826 Bracket |
|  | SG 3832 Bracket |
|  | SG 3836 Bracket |
|  | SG 6053 Spring stop |
|  | SG 6063 Overlap arm |
|  | SG 6064 End stop |
|  | SG 6094 Roller |
|  | SG 6099 Wave roller cord 80 mm |
|  | SG 6283 Roller |
|  | SG 6349 Wave curtain tape |

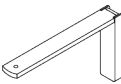
| | |
|---|--|
|  | SG 6363 Wave top hemming tape |
|  | SG 6364 Wave extension |
|  | SG 6365 Wave hanger |
|  | SG 10074 Countersunk head screw M4x8 |
|  | SG 10075 Lead weight 50 g/m |
|  | SG 10076 Fabric weight |
|  | SG 10157 Wedge |
|  | SG 10277 Pan head screw M4x12 |
|  | SG 10407 Pan head screw M4x10 |
|  | SG 10492 Pan head screw M4x8 |
|  | SG 11154 Universal Smart Fix 120 mm |
|  | SG 11155 Universal Smart Fix 150 mm |
|  | SG 11156 Universal Smart Fix 200 mm |
|  | SG 11200 Smart Fix 60 mm |



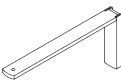
SG 11201
Smart Fix 80 mm



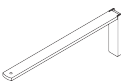
SG 11202
Smart Fix 100 mm



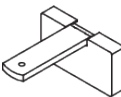
SG 11203
Smart Fix 120 mm



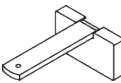
SG 11204
Smart Fix 150 mm



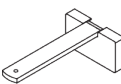
SG 11205
Smart Fix 200 mm



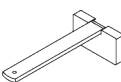
SG 11210
Square Smart Fix 60 mm



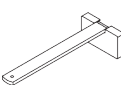
SG 11211
Square Smart Fix 80 mm



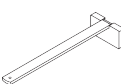
SG 11212
Square Smart Fix 100 mm



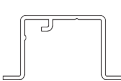
SG 11213
Square Smart Fix 120 mm



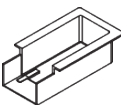
SG 11214
Square Smart Fix 150 mm



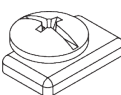
SG 11215
Square Smart Fix 200 mm



SG 11230
Recess profile



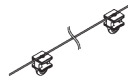
SG 11238
Recess Mask



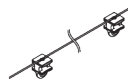
SG 11295
End stop



SG 11301
2C glider on strip

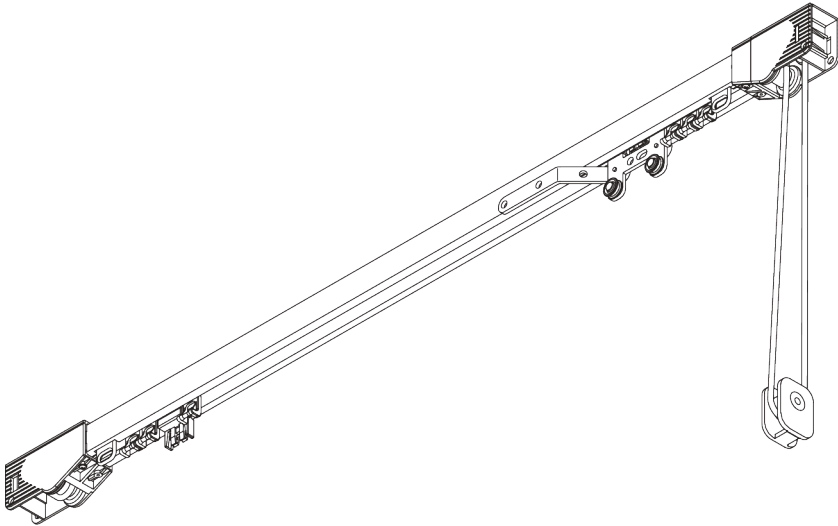
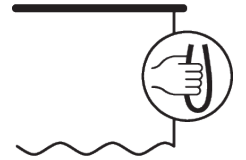


SG 11302
Wave 2C glider cord 80 mm



SG 11303
Wave 2C glider cord 60 mm

SG 3900



PRODUCT INFORMATION

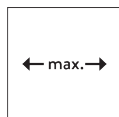
- **Operation:** cord
- **Range:** M - L
- **Fitting:** ceiling, wall
- **Colours:** white RAL 9016; special colours or anodised aluminum possible
- **Fabrics:** refer to Silent Gliss fabric collection

Features:

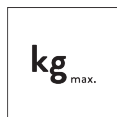
- Bendable

SYSTEM SPECIFICATIONS

A. SYSTEM DIMENSIONS



12 m



20 kg

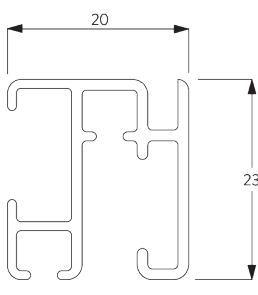
Max. curtain weight

| | 2 m | 4 m | 6 m | 8 m | 10 m | 12 m |
|--|-----|-----|-----|-----|------|------|
| | 8 | 12 | 16 | 15 | 13 | 11 |
| | 8 | 14 | 20 | 18 | 15 | 13 |
| | 10 | 11 | 11 | 10 | 8 | 7 |
| | 10 | 14 | 14 | 13 | 13 | 12 |
| | 10 | 11 | 11 | 11 | 10 | 10 |
| | 10 | 12 | 12 | 11 | 11 | 10 |
| | 8 | 8 | 7 | 6 | 5 | 4 |
| | 10 | 10 | 9 | 8 | 7 | 6 |

(kg max.)

B. PROFILE

Profile and bending information

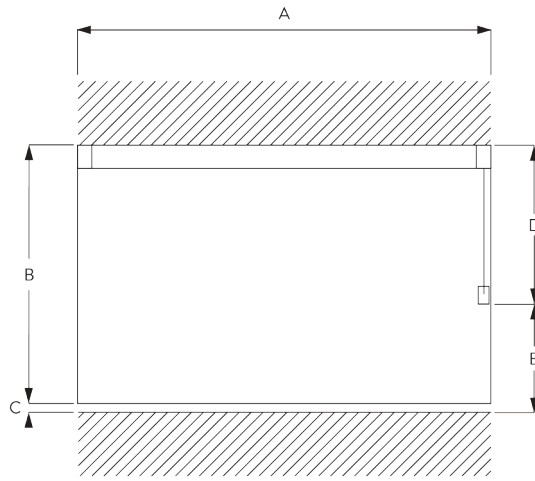


SG 3982

Profile

Radius:
✓ 15 cm, 20 cm, >30 cm

**C. HOW TO
MEASURE**



- A: System width
- B: System height
- C: Distance between floor and fabric
- D: Cord height
- E: Safety Retainer SG 10731 min. 150 cm above floor

**D. SPECIFICATION
TEXT**

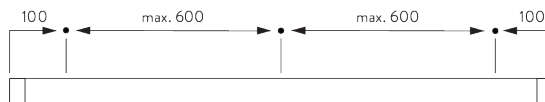
Silent Gliss SG 3900 Cord Operated Curtain Track System. Comprises aluminium profile SG 3982 supplied made to measure powder coated white with roller gliders SG 3911 at 10/m, cord guide/return set SG 3915, overlap arm SG 3936 and cord SG 3090. Face fixed with nylon bracket SG 3630 / SG 3655 / SG 3660 / SG Smart Fix / top fixed with nylon bracket SG 3603 at 600 mm to 800mm centres. Compliant to Child Safety legislation EN 13120.

FITTING

**A. FITTING
INFORMATION**

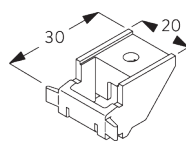
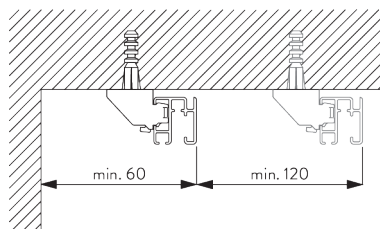
For detailed fitting information, visit the Silent Gliss website.

Fixing points



B. CEILING FITTING

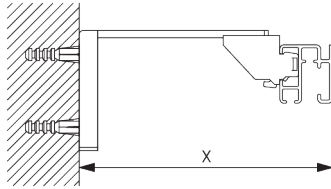
Bracket SG 3603



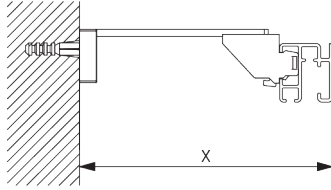
SG 3603
Bracket

C. WALL FITTING

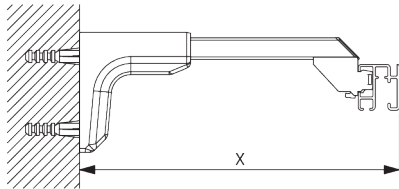
Smart Fix



Smart Fix SG 11200 - SG 11205 and bracket SG 3603:
Screw SG 10492 (M4x8) needed.

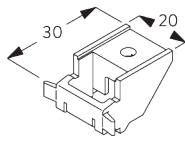


Square Smart Fix SG 11210 - SG 11215 and bracket SG 3603:
Screw SG 10492 (M4x8) needed.



Universal Smart Fix SG 11154 - SG 11156 and bracket SG 3603:
Screw SG 10277 (M4x12) needed.

| Smart Fix | X mm |
|---------------------|---------|
| SG 11200 / SG 11210 | 86 |
| SG 11201 / SG 11211 | 106 |
| SG 11202 / SG 11212 | 126 |
| SG 11203 / SG 11213 | 146 |
| SG 11204 / 11214 | 176 |
| SG 11205 / SG 11215 | 226 |
| SG 11154 | 136-164 |
| SG 11155 | 166-194 |
| SG 11156 | 216-244 |



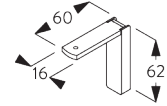
SG 3603
Bracket



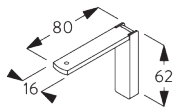
SG 10277
Pan head screw M4x12



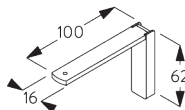
SG 10492
Pan head screw M4x8



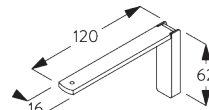
SG 11200
Smart Fix 60 mm



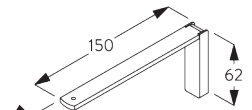
SG 11201
Smart Fix 80 mm



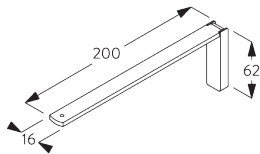
SG 11202
Smart Fix 100 mm



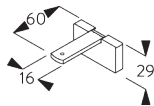
SG 11203
Smart Fix 120 mm



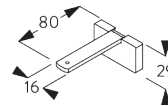
SG 11204
Smart Fix 150 mm



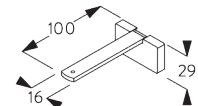
SG 11205
Smart Fix 200 mm



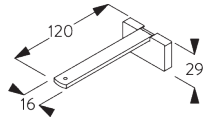
SG 11210
Square Smart Fix 60 mm



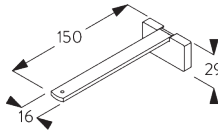
SG 11211
Square Smart Fix 80 mm



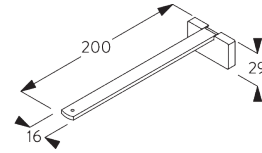
SG 11212
Square Smart Fix 100 mm



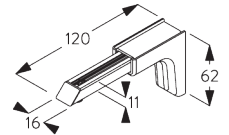
SG 11213
Square Smart Fix 120 mm



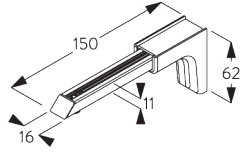
SG 11214
Square Smart Fix 150 mm



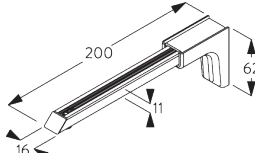
SG 11215
Square Smart Fix 200 mm



SG 11154
Universal Smart Fix 120 mm

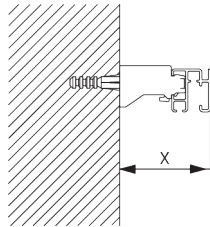


SG 11155
Universal Smart Fix 150 mm

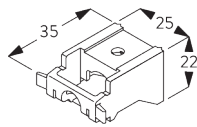


SG 11156
Universal Smart Fix 200 mm

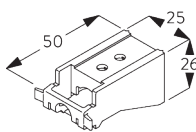
**Universal brackets
SG 3630, SG 3655,
SG 3660**



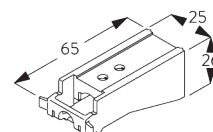
| Bracket | X mm |
|----------------|-------------|
| SG 3630 | 49 |
| SG 3655 | 59 |
| SG 3660 | 79 |



SG 3630
Bracket 35 mm




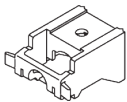

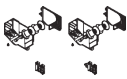
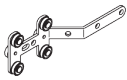


SG 3655
Bracket 50 mm







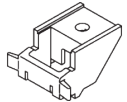
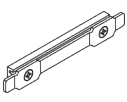
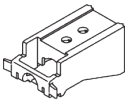
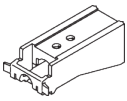
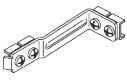
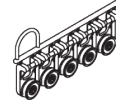
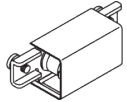
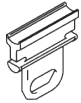
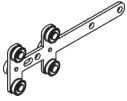
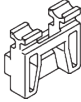
SG 3660
Bracket 65 mm

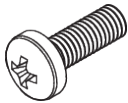
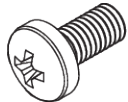
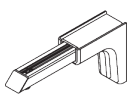
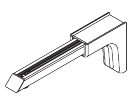
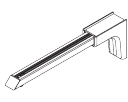
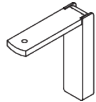
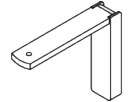
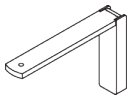
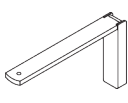
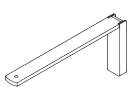
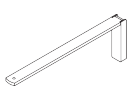
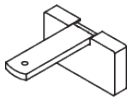
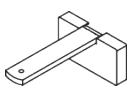
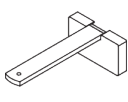
PARTS

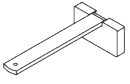
A. STANDARD PARTS

| | |
|--|--|
|  | SG 3090 Cord ø 3.5 mm |
|  | SG 3630 Bracket 35 mm |
|  | SG 3911 Roller |
|  | SG 3915 Cord guide set |
|  | SG 3936 Overlap arm for draw rod |
|  | SG 3982 Profile |
|  | SG 10731 Child safety retainer set |

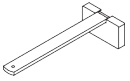
B. OPTIONAL PARTS

| | |
|---|--|
|  | SG 3091 Cord ø 3.5 mm |
|  | SG 3151 Spacer |
|  | SG 3582 Hook |
|  | SG 3599 Hook |
|  | SG 3603 Bracket |
|  | SG 3620 Connection bridge |
|  | SG 3655 Bracket 50 mm |
|  | SG 3660 Bracket 65 mm |
|  | SG 3914 Return bracket |
|  | SG 3922 Roller 3911 on strip |
|  | SG 3929 Intermediate guide |
|  | SG 3932 Spring stop |
|  | SG 3935 Overlap arm |
|  | SG 3939 Pilot runner |

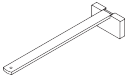
| | |
|---|---|
|  | SG 10277 Pan head screw M4x12 |
|  | SG 10492 Pan head screw M4x8 |
|  | SG 11154 Universal Smart Fix 120 mm |
|  | SG 11155 Universal Smart Fix 150 mm |
|  | SG 11156 Universal Smart Fix 200 mm |
|  | SG 11200 Smart Fix 60 mm |
|  | SG 11201 Smart Fix 80 mm |
|  | SG 11202 Smart Fix 100 mm |
|  | SG 11203 Smart Fix 120 mm |
|  | SG 11204 Smart Fix 150 mm |
|  | SG 11205 Smart Fix 200 mm |
|  | SG 11210 Square Smart Fix 60 mm |
|  | SG 11211 Square Smart Fix 80 mm |
|  | SG 11212 Square Smart Fix 100 mm |



SG 11213
Square Smart Fix 120 mm

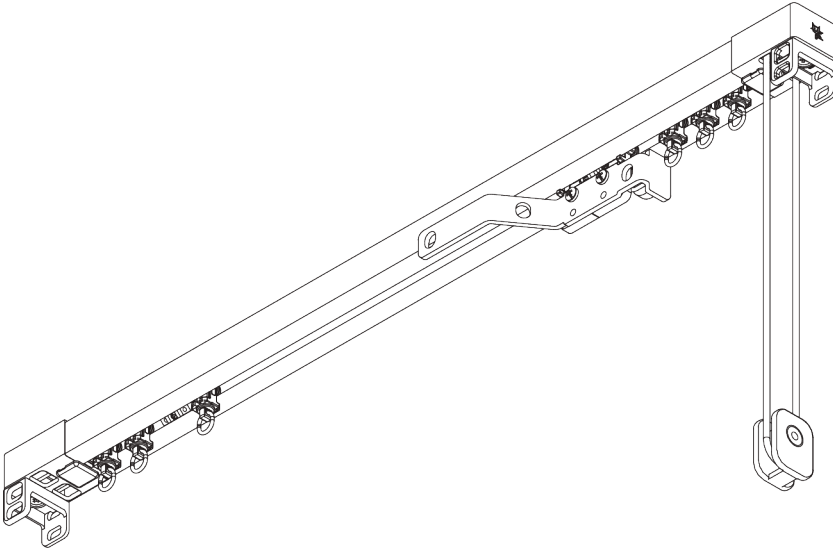
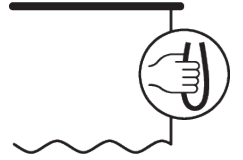


SG 11214
Square Smart Fix 150 mm



SG 11215
Square Smart Fix 200 mm

SG 3970



PRODUCT INFORMATION

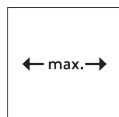
- **Operation:** cord
- **Range:** M - L
- **Fitting:** ceiling, wall, recess
- **Colours:** white RAL 9016; special colours or anodised aluminum possible (recess profile only in white RAL 9016 or special color)
- **Fabrics:** refer to Silent Gliss fabric collection

Features:

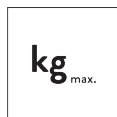
- 2-component (2C) roller technology
- Wave (2C)
- Bendable
- Bendable recess profile

SYSTEM SPECIFICATIONS

A. SYSTEM DIMENSIONS



15 m



38 kg

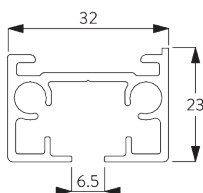
Max. curtain weight - 2C roller

| | 2 m | 4 m | 6 m | 8 m | 10 m | 12 m | 15 m |
|--|-----|-----|-----|-----|------|------|------|
| | 25 | 38 | 35 | 30 | 25 | 20 | 15 |
| | 25 | 38 | 35 | 30 | 25 | 20 | 15 |
| | 25 | 30 | 25 | 20 | 18 | 15 | 10 |
| | 25 | 30 | 25 | 20 | 18 | 15 | 10 |
| | 13 | 16 | 13 | 11 | 10 | 8 | 6 |
| | 13 | 16 | 13 | 11 | 10 | 8 | 6 |
| | 11 | 13 | 11 | 10 | 9 | 7 | - |
| | 11 | 13 | 11 | 10 | 9 | 7 | - |

(kg max.)

B. PROFILE

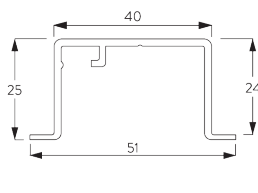
Profile and bending information



SG 3971

Profile

Radius: >25 cm

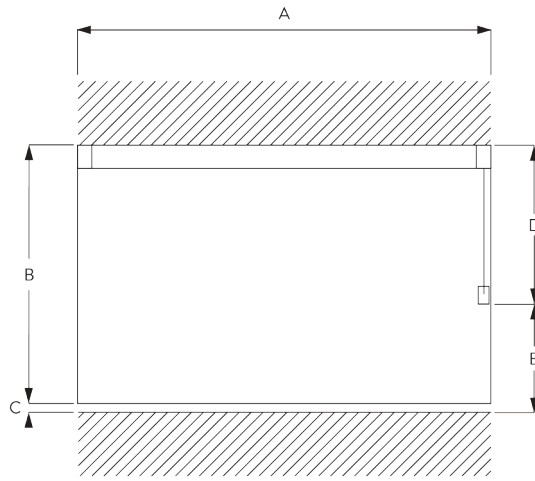


SG 10862

Recess profile

Radius: 50 - 75 cm
>75 cm on request

**C. HOW TO
MEASURE**



- A: System width
- B: System height
- C: Distance between floor and fabric
- D: Cord height
- E: Safety Retainer SG 10731 min. 150 cm above floor

**D. SPECIFICATION
TEXT**

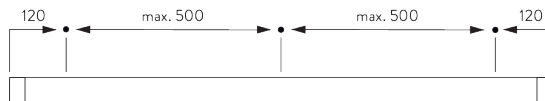
Silent Gliss SG 3970 Cord Operated Curtain Track System. Comprises aluminium profile SG Supplied made to measure and complete comprising aluminium profile SG 3971. Supplied as standard with 2C roller gliders SG 10840 at 10/m, cord guide/return set SG 11315, overlap SG 10821, spring stop SG 11465 and cord SG 3090. Top fixed with fixing clamp SG 3004 at 500mm centres. Optional top fix with mounting plate SG 10865 and profile protector SG 7002. Wall fix with bracket SG 3041 / Wall fix with Smart Fix brackets SG 11201-11205 and SG 3041 or SG 3004 / Square Smart Fix brackets SG 11210-11215 and SG 3041 or SG 3004 / Wall fix with Universal Smart Fix brackets SG 11154-11156 and SG 3041. Recess fix with recess profile SG 10862, recess mask SG 10864. Silent Gliss Wave option is available using 60mm glider cord SG 10869 / 80mm glider cord SG 10852. Compliant to Child Safety legislation EN 13120.

FITTING

**A. FITTING
INFORMATION**

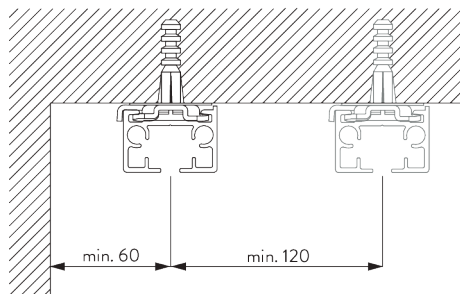
For detailed fitting information, visit the Silent Gliss website.

Fixing points



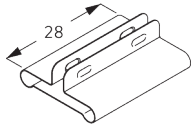
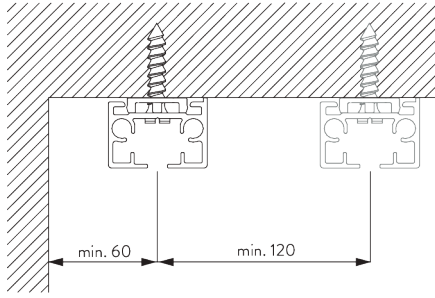
B. CEILING FITTING

Clamp SG 3004



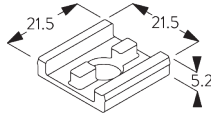
SG 3004
Clamp

Direct fitting



SG 7002

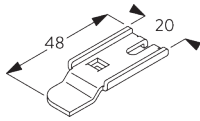
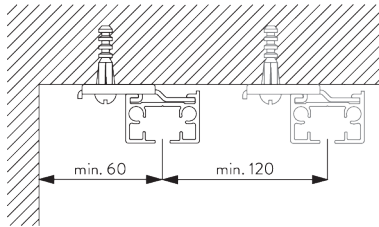
Profile protector



SG 10865

Support plate

Bracket SG 3041

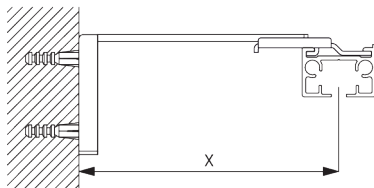


SG 3041

Bracket

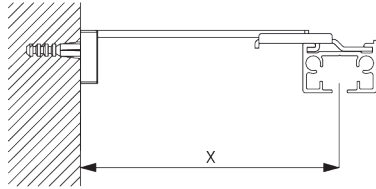
C. WALL FITTING

Smart Fix



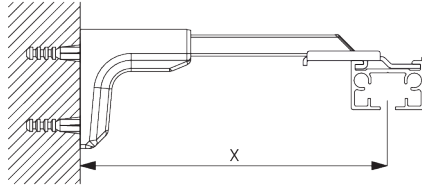
Smart Fix SG 11200 - SG 11205 and bracket SG 3041:
Screw SG 10492 (M4x8) needed.

| Smart Fix | X mm (SG 3041) | X mm (SG 3004) |
|---------------------|----------------|----------------|
| SG 11200 / SG 11210 | 83 | |
| SG 11201 / SG 11211 | 103 | 72 |
| SG 11202 / SG 11212 | 123 | 92 |
| SG 11203 / SG 11213 | 143 | 112 |
| SG 11204 / SG 11214 | 173 | 142 |
| SG 11205 / SG 11215 | 223 | 192 |
| SG 11154 | 128-156 | 102-130 |
| SG 11155 | 158-186 | 132-160 |
| SG 11156 | 208-236 | 182-210 |



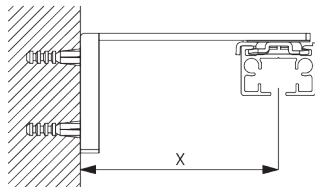
Square Smart Fix SG 11210 - SG 11215 and bracket SG 3041:

Screw SG 10492 (M4x8) needed.



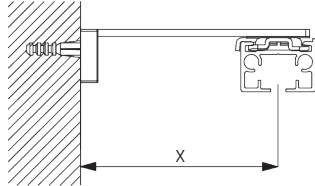
Universal Smart Fix SG 11154 - SG 11156 and bracket SG 3041:

Screw SG 10407 (M4x10) needed.



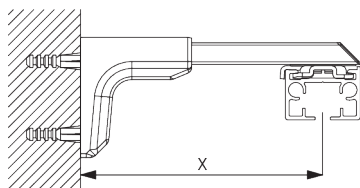
Smart Fix SG 11201 - SG 11205 and clamp SG 3004:

Screw SG 10074 (M4x8) needed.



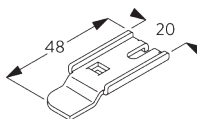
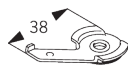
Square Smart Fix SG 11211 - SG 11215 and clamp SG 3004:

Screw SG 10074 (M4x8) needed.



Universal Smart Fix SG 11154 - SG 11156 and clamp SG 3004:

Screw SG 11158 (M4x12) needed.



SG 3004
Clamp

SG 3041
Bracket

SG 10074
Countersunk head screw
M4x8

SG 10407
Pan head screw M4x10



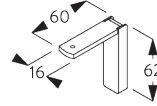
SG 10492

Pan head screw M4x8



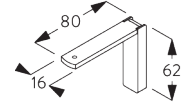
SG 11158

Countersunk head screw M4x12



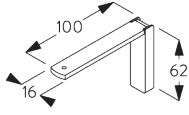
SG 11200

Smart Fix 60 mm



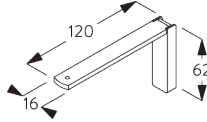
SG 11201

Smart Fix 80 mm



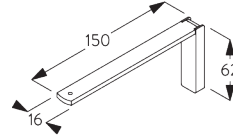
SG 11202

Smart Fix 100 mm



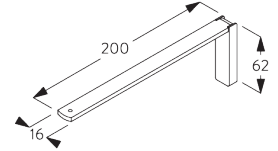
SG 11203

Smart Fix 120 mm



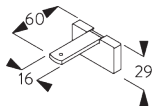
SG 11204

Smart Fix 150 mm



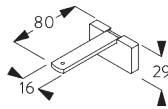
SG 11205

Smart Fix 200 mm



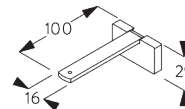
SG 11210

Square Smart Fix 60 mm



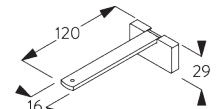
SG 11211

Square Smart Fix 80 mm



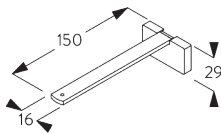
SG 11212

Square Smart Fix 100 mm



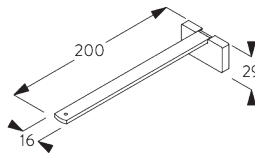
SG 11213

Square Smart Fix 120 mm



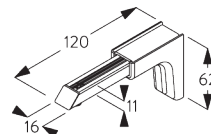
SG 11214

Square Smart Fix 150 mm



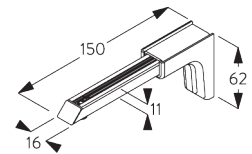
SG 11215

Square Smart Fix 200 mm



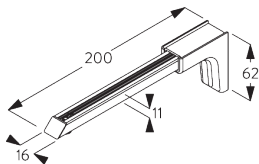
SG 11154

Universal Smart Fix 120 mm



SG 11155

Universal Smart Fix 150 mm

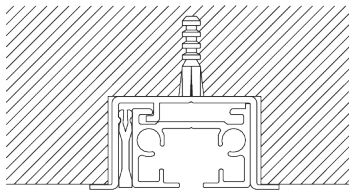


SG 11156

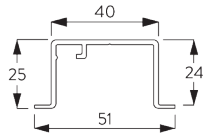
Universal Smart Fix 200 mm

D. RECESS FITTING

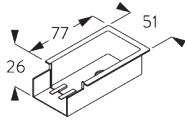
**Recess profile
SG 10862**



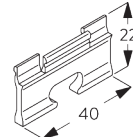
One wedge SG 5118 per fixing point.
For detailed recess fitting, visit the Silent Gliss website.



SG 10862
Recess profile



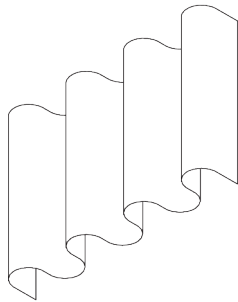
SG 10864
Recess mask



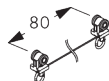
SG 5118
Wedge

SYSTEM OPTIONS

A. WAVE



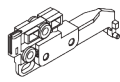
SG 11295



SG 10852



SG 6365



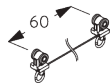
SG 10845



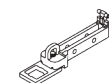
SG 10854



SG 10867



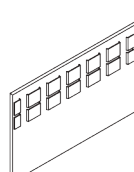
SG 10869



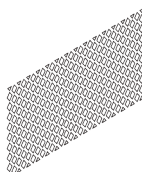
SG 10887



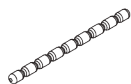
SG 3582



SG 6349



SG 6363



SG 10075



SG 10076

Standard components:

- SG 11295 End stop
- SG 10852 Wave 2C roller cord 80 mm

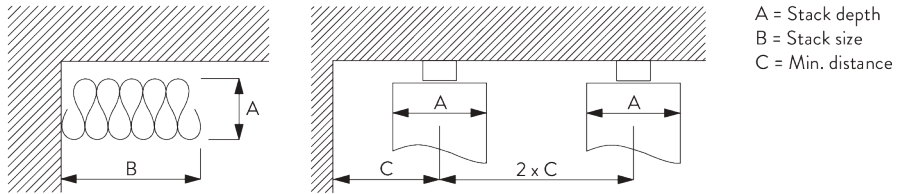
Optional components:

- SG 6365 Wave hanger
- SG 10845 Wave master carrier single stack 80 mm
- SG 10854 Wave overlap support arm
- SG 10867 Panhead screw M4x16
- SG 10869 Wave 2C roller cord 60 mm (no single stack)
- SG 10887 Wave extension

Curtain components:

- SG 3582 Hook
- SG 6349 Wave curtain tape
- SG 6363 Wave top hemming tape
- SG 10075 Lead weight 50 gr/m
- SG 10076 Fabric weight

Wave stack depth - 2C roller cord (standard components)



| 2C Roller cord SG 10852 | Pockets between hooks | Approx. curtain fullness | Stack depth A | Stack size B* | Min distance C |
|----------------------------|--------------------------|-----------------------------|------------------|---------------------------|-------------------|
| 80 | 6 | ~2.1 | 140 | 210 per metre of track | 90 |
| 80 | 7 | ~2.3 | 160 | 210 per metre of track | 100 |



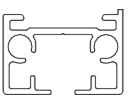
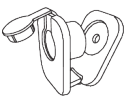
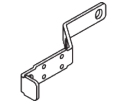
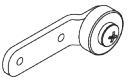

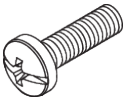

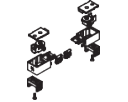
| 2C Roller cord SG 10869 | Pockets between hooks | Approx. curtain fullness | Stack depth A | Stack size B* | Min distance C |
|----------------------------|--------------------------|-----------------------------|------------------|---------------------------|-------------------|
| 60 | 4 | ~2.1 | 100 | 260 per metre of track | 70 |
| 60 | 5 | ~2.3 | 120 | 260 per metre of track | 80 |

*Stack size B

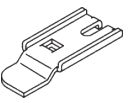
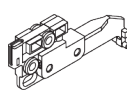

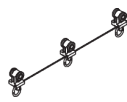
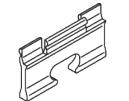
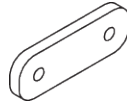

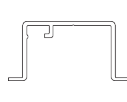

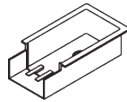
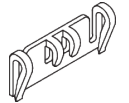
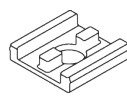
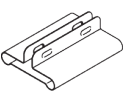
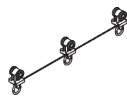

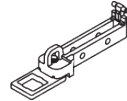
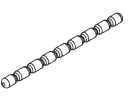
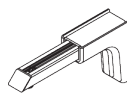
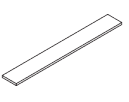
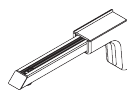
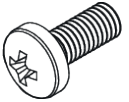
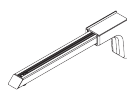
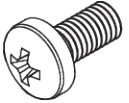
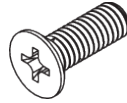
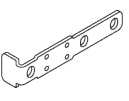
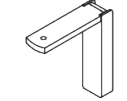
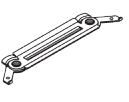
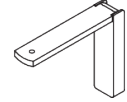
- plus 150 mm per curtain

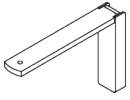
PARTS

A. STANDARD PARTS

| | |
|---|--|
|  | SG 3004 Clamp |
|  | SG 3090 Cord ø 3.5 mm |
|  | SG 3971 Profile |
|  | SG 10731 Child safety retainer set |
|  | SG 10821 Overlap arm |
|  | SG 10826 Overlap arm support |
|  | SG 10840 2C roller |
|  | SG 10923 Pan head screw Freedriv M4x12 |
|  | SG 11314 Master carrier |
|  | SG 11315 Guide set |

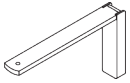
B. OPTIONAL PARTS

| | | | |
|---|--|---|---|
|  | SG 3041 Bracket |  | SG 10845 Wave master carrier |
|  | SG 3582 Hook |  | SG 10852 Wave 2C roller cord 80 mm |
|  | SG 5118 Wedge |  | SG 10854 Wave overlap plate |
|  | SG 6349 Wave curtain tape |  | SG 10862 Recess profile |
|  | SG 6363 Wave top hemming tape |  | SG 10864 Recess mask |
|  | SG 6365 Wave hanger |  | SG 10865 Support plate |
|  | SG 7002 Profile protector |  | SG 10869 Wave 2C roller cord 60 mm |
|  | SG 10074 Countersunk head screw M4x8 |  | SG 10887 Wave extension |
|  | SG 10075 Lead weight 50 g/m |  | SG 11154 Universal Smart Fix 120 mm |
|  | SG 10076 Fabric weight |  | SG 11155 Universal Smart Fix 150 mm |
|  | SG 10407 Pan head screw M4x10 |  | SG 11156 Universal Smart Fix 200 mm |
|  | SG 10492 Pan head screw M4x8 |  | SG 11158 Countersunk head screw M4x12 |
|  | SG 10820 Overlap arm |  | SG 11200 Smart Fix 60 mm |
|  | SG 10831 Connection bridge |  | SG 11201 Smart Fix 80 mm |



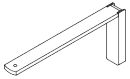
SG 11202

Smart Fix 100 mm



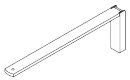
SG 11203

Smart Fix 120 mm



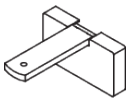
SG 11204

Smart Fix 150 mm



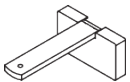
SG 11205

Smart Fix 200 mm



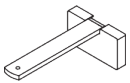
SG 11210

Square Smart Fix 60 mm



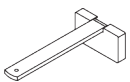
SG 11211

Square Smart Fix 80 mm



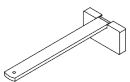
SG 11212

Square Smart Fix 100 mm



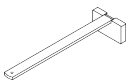
SG 11213

Square Smart Fix 120 mm



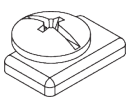
SG 11214

Square Smart Fix 150 mm



SG 11215

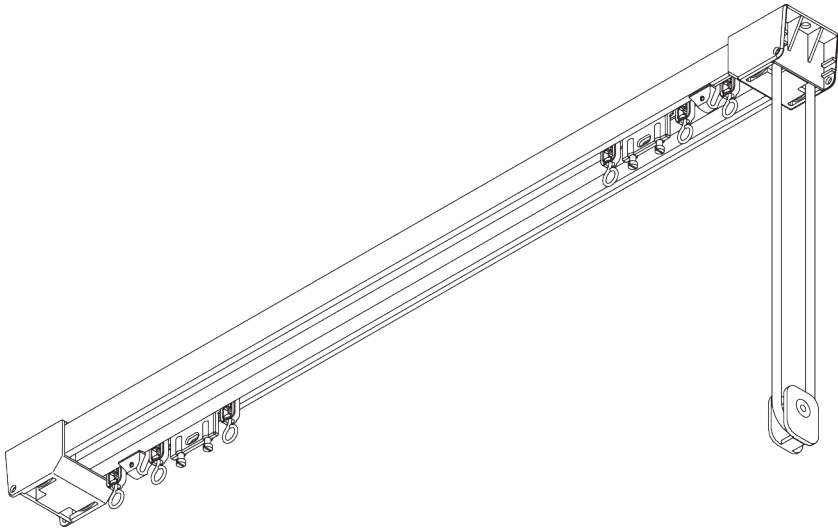
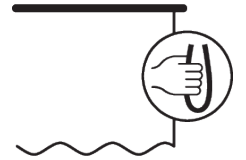
Square Smart Fix 200 mm



SG 11295

End stop

SG 6370



PRODUCT INFORMATION

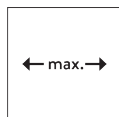
- **Operation:** cord
- **Range:** L
- **Fitting:** ceiling, wall
- **Colours:** anodised aluminum, special colours possible
- **Fabrics:** refer to Silent Gliss fabric collection

Features:

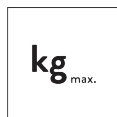
- Bendable

SYSTEM SPECIFICATIONS

A. SYSTEM DIMENSIONS



15 m



66 kg

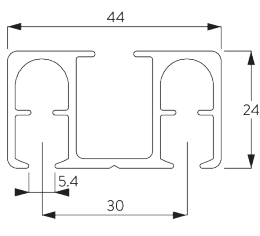
Max. curtain weight -
roller SG 6098 /
SG 6094

| | 2 m | 4 m | 6 m | 8 m | 10 m | 12 m | 15 m |
|--|-----|-----|-----|-----|------|------|------|
| | 62 | 60 | 58 | 56 | 54 | 50 | 46 |
| | 66 | 64 | 62 | 60 | 58 | 55 | 50 |
| | 46 | 43 | 40 | 37 | 34 | 30 | 25 |
| | 50 | 47 | 44 | 41 | 38 | 35 | 30 |
| | 36 | 33 | 30 | 27 | 24 | 22 | 18 |
| | 44 | 40 | 36 | 33 | 30 | 28 | 22 |
| | 24 | 19 | 14 | 5 | 4 | - | - |
| | 27 | 23 | 19 | 10 | 9 | - | - |

(kg max.)

B. PROFILE

Profile and bending
information

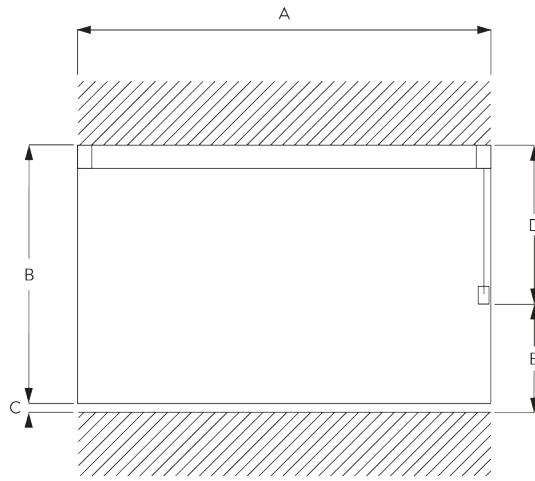


SG 6371

Profile

Radius: >50 cm

**C. HOW TO
MEASURE**



- A: System width
- B: System height
- C: Distance between floor and fabric
- D: Cord height
- E: Safety Retainer SG 10731 min. 150 cm above floor

**D. SPECIFICATION
TEXT**

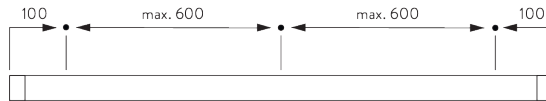
Silent Gliss SG 6370 Heavy Duty Cord Operated Curtain Track System. Comprises aluminium profile SG 6371 supplied made to measure in silver anodised finish with roller gliders SG 6098 at 10/m and cord SG 6070. Top fixed through profile at 500mm to 800mm centres and at end pieces. Compliant to Child Safety legislation EN 13120.

FITTING

**A. FITTING
INFORMATION**

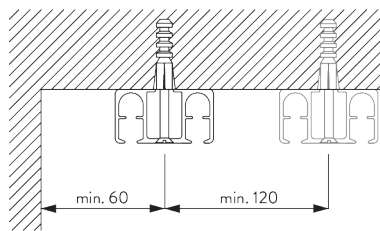
For detailed fitting information, visit the Silent Gliss website.

Fixing points



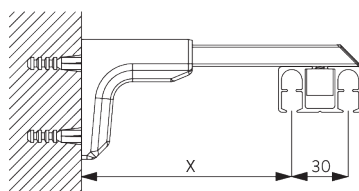
B. CEILING FITTING

Direct fitting



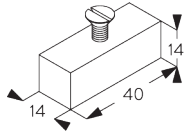
C. WALL FITTING

Smart Fix



| Smart Fix | X mm |
|-----------|---------|
| SG 11154 | 87-115 |
| SG 11155 | 117-145 |
| SG 11156 | 167-195 |

Universal Smart Fix SG 11154 - SG 11156 and nut SG 6369:
Screw SG 11157 (M5x20) needed.



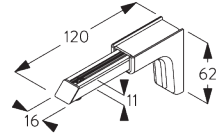
SG 6369

Nut



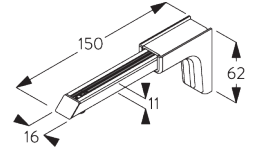
SG 11157

Pan head screw with flange
M5x20



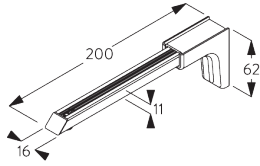
SG 11154

Universal Smart Fix 120 mm



SG 11155

Universal Smart Fix 150 mm


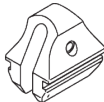

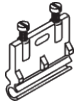
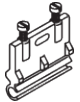

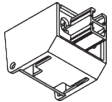
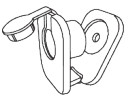


SG 11156





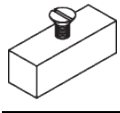
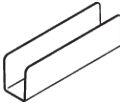
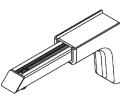
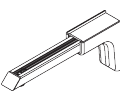
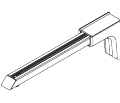
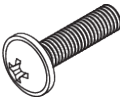
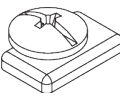
Universal Smart Fix 200 mm

PARTS

A. STANDARD PARTS

| | |
|---|--|
|  | SG 6070 Cord ø 6 mm |
|  | SG 6086 Spring stop |
|  | SG 6098 Roller |
|  | SG 6214 Pilot runner |
|  | SG 6227 Pilot runner |
|  | SG 6371 Profile |
|  | SG 6377 Cord guide set |
|  | SG 10731 Child safety retainer set |

B. OPTIONAL PARTS

| | |
|---|---|
|  | SG 3582 Hook |
|  | SG 3599 Hook |
|  | SG 6053 Spring stop |
|  | SG 6094 Roller |
|  | SG 6369 Nut |
|  | SG 6376 Connection bridge |
|  | SG 11154 Universal Smart Fix 120 mm |
|  | SG 11155 Universal Smart Fix 150 mm |
|  | SG 11156 Universal Smart Fix 200 mm |
|  | SG 11157 Pan head screw with flange M5x20 |
|  | SG 11295 End stop |

The Architects of Silence

Silent Gliss is the leading global supplier of premium interior window treatments. Since 1952 we have been tirelessly committed to the development of the world's smoothest, quietest systems using state of the art technology.

Driven by customer needs, Silent Gliss offers functional and durable products. Expert technical advice coupled with installation and support services complete the offer. Silent Gliss stands for innovative, sustainable, tailor made solutions, exceptional design and first-class quality.

Silent Gliss Ltd.

Pyramid Business Park
Poorhole Lane, Broadstairs
Kent CT10 2PT
United Kingdom
T +44 1843 863571
F +44 1843 864503
info@silentgliss.co.uk

Silent Gliss Global Ltd.

Pyramid Business Park
Poorhole Lane, Broadstairs
Kent CT10 2PT
United Kingdom
T +44 1843 874250
F +44 1843 864503
info@silentglissglobal.com

Silent Gliss Blinds Trading LLC

Office 1906
The H Hotel Complex
Trade Center First
Dubai
United Arab Emirates
T +971 4 7050318
info@silentgliss.ae

silentgliss.co.uk
silentglissglobal.com
silentgliss.ae