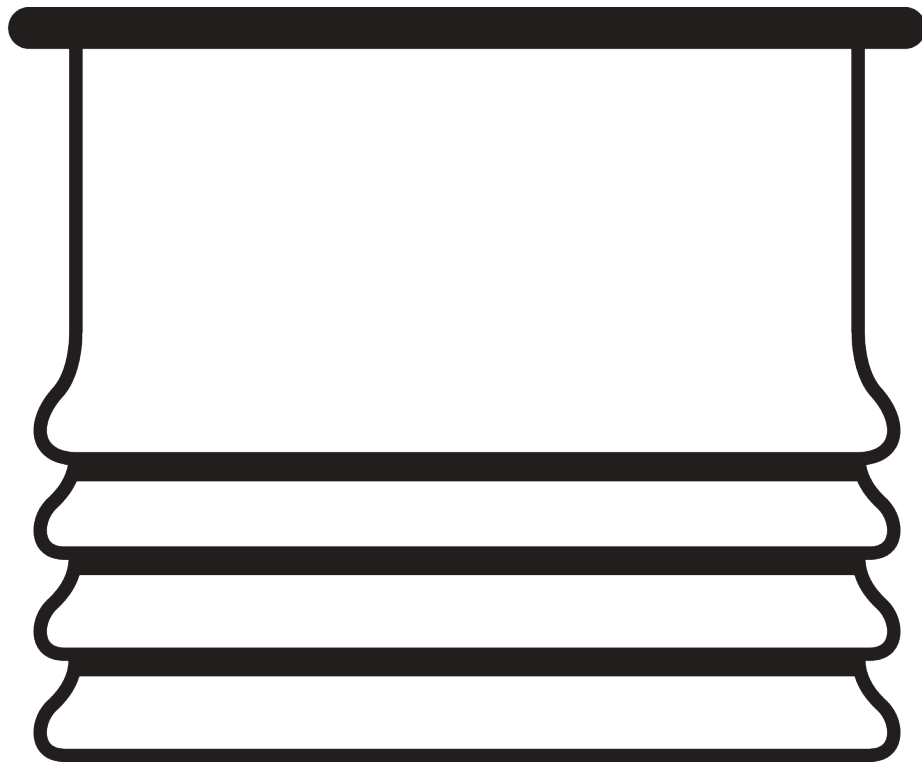


ROMAN BLIND SYSTEMS



GENERAL NOTES

Dimensions

- Measurements are in mm except where indicated.
- Max. kg relates to fabric incl. accessories (bottom bars, cross rods, etc.).
- Stack size is typically 15-20% of system height.





Fitting

- Installation by qualified fitter only.
- Number of brackets and fitting positions / fixing points vary depending on fitting surface, system weight, fabric make-up, screw / fixing type and obstacles.
- Qualified fitter must use appropriate screws / fixings for each situation.
- Electrical installations must be carried out according to Silent Gliss wiring diagrams and conform to local regulations.
- Check space for cables and plugs!

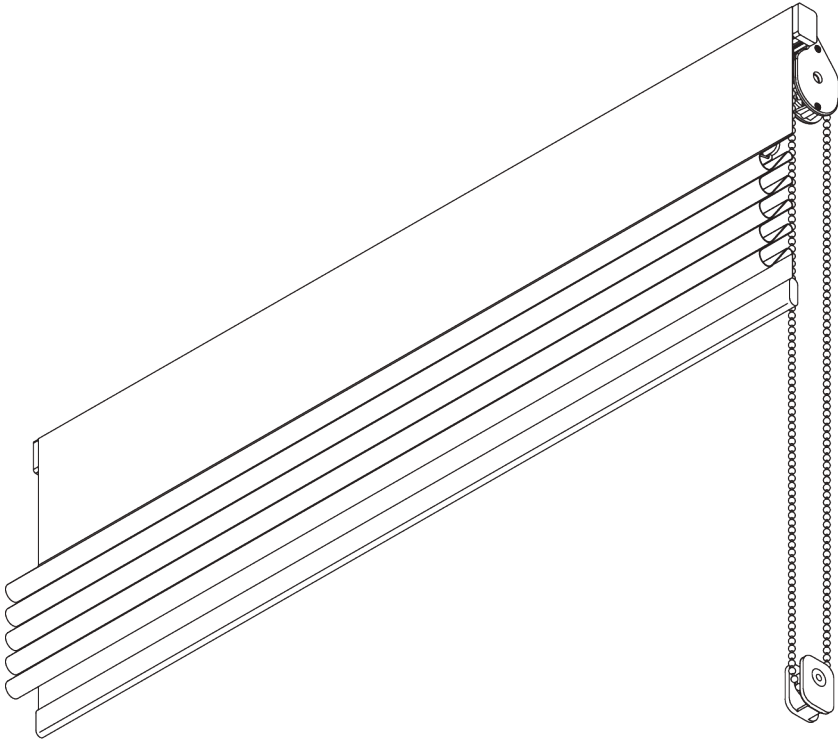
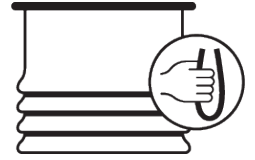
Child Safety

- All relevant Silent Gliss systems correspond to child safety EN 13120.
- All parties involved must comply with EN 13120.

APPLICATION CHART

<u>PAGE</u>	<u>SYSTEM</u>	<u>OPERATION</u>	<u>DIMENSION</u>	← max. →	↑ max. ↓	kg _{max.}
5	SG 2120		L	4 m	6 m	8 kg
13	SG 2305		S - M	3 m	3.4 m	4 kg
23	SG 2345		S - M	6 m	6 m	2.5 kg
33	SG 2350		S - L	6 m	6 m	15 kg

SG 2120



PRODUCT INFORMATION

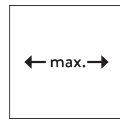
- **Operation:** chain
- **Range:** L
- **Fitting:** ceiling, wall
- **Colours:** white RAL 9016, anodised aluminum
- **Fabrics:** refer to Silent Gliss fabric collection

Features:

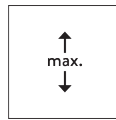
- 5-to-1 gear drive
- Bead chain

SYSTEM SPECIFICATIONS

A. SYSTEM DIMENSIONS



4 m



6 m



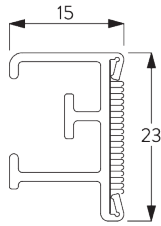
8 kg



24 m²

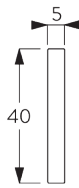
B. PROFILE

Profile Information



SG 2211

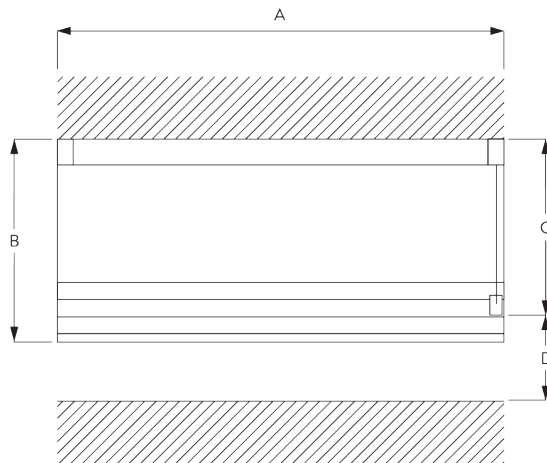
Velcro profile



SG 2005

Bottom bar 40x5 mm

C. HOW TO MEASURE



A: System width

B: System height

C: Chain height

D: Safety retainer SG 10731 min. 150 cm above floor

D. SPECIFICATION

TEXT

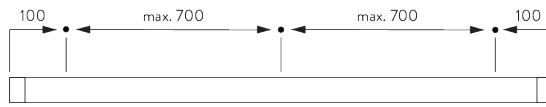
Silent Gliss SG 2120 Chain Operated Roman Blind Headrail System. Comprises headrail SG 2211 made to measure in SAA finish with bonded hook and loop insert, take up reels SG 2081, drawing tape SG 2163. And metal operating bead chain SG 4845. Left / right hand side operation via gear drive set SG 2049. Wall fix with brackets SG 3630 / top fix with brackets SG 3603. If supplied with made up blind from Silent Gliss fabric collection includes child safe breakaway components SG31624 bottom bar set, SG 3069 rod cover (hard / semi hard fold makeup), SG 3165 / 3166 ring (soft fold make-up). Compliant to Child Safety legislation EN 13120.

FITTING

A. FITTING INFORMATION

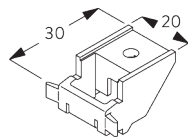
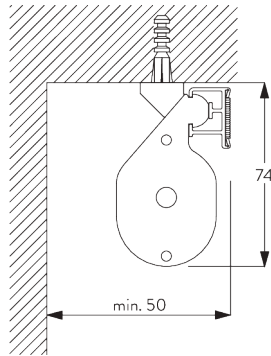
For detailed fitting information, visit the Silent Gliss website.

Fixing points



B. CEILING FITTING

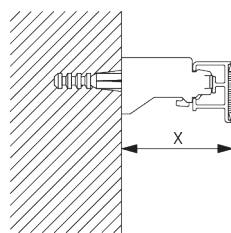
Bracket SG 3603



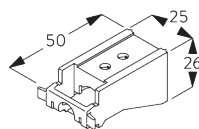
SG 3603
Bracket

C. WALL FITTING

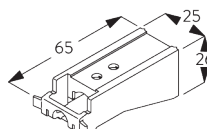
Bracket SG 3655, SG 3660



Bracket	X mm
SG 3655	58
SG 3660	73

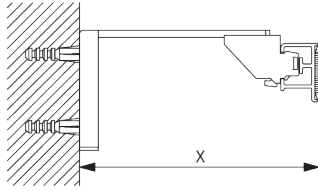


SG 3655
Bracket 50 mm

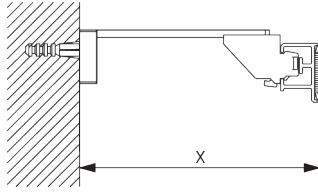


SG 3660
Bracket 65 mm

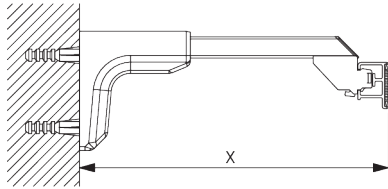
Smart Fix



Smart Fix SG 11200 - SG 11205 and bracket SG 3603:
Screw SG 10492 (M4x8) needed.

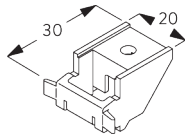


Square Smart Fix SG 11210 - SG 11215 and bracket SG 3603:
Screw SG 10492 (M4x8) needed.



Universal Smart Fix 11154-11156 and bracket SG 3603:
Screw SG 10277 (M4x12) needed.

Smart Fix	X mm
SG 11200 / SG 11210	80
SG 11201 / SG 11211	100
SG 11202 / SG 11212	120
SG 11203 / SG 11213	140
SG 11204 / SG 11214	170
SG 11205 / SG 11215	220
SG 11154	132-160
SG 11155	162-190
SG 11156	212-240



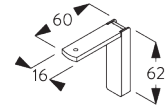
SG 3603
Bracket



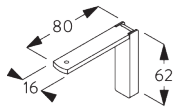
SG 10277
Pan head screw M4x12



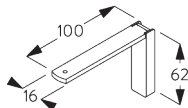
SG 10492
Pan head screw M4x8



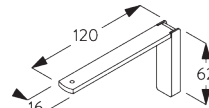
SG 11200
Smart Fix 60 mm



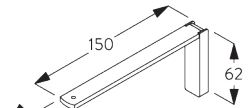
SG 11201
Smart Fix 80 mm



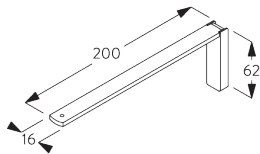
SG 11202
Smart Fix 100 mm



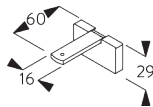
SG 11203
Smart Fix 120 mm



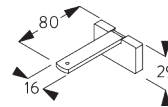
SG 11204
Smart Fix 150 mm



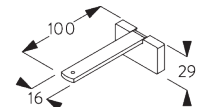
SG 11205
Smart Fix 200 mm



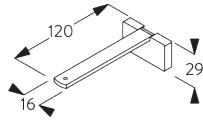
SG 11210
Square Smart Fix 60 mm



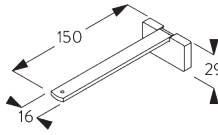
SG 11211
Square Smart Fix 80 mm



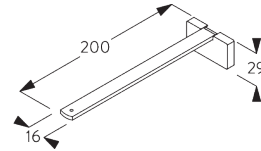
SG 11212
Square Smart Fix 100 mm



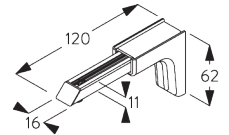
SG 11213
Square Smart Fix 120 mm



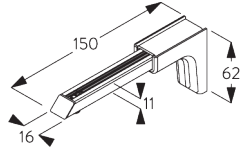
SG 11214
Square Smart Fix 150 mm



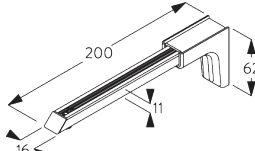
SG 11215
Square Smart Fix 200 mm



SG 11154
Universal Smart Fix 120 mm



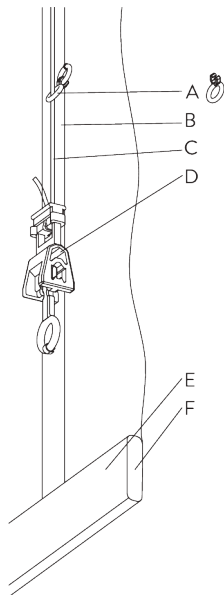
SG 11155
Universal Smart Fix 150 mm



SG 11156
Universal Smart Fix 200 mm

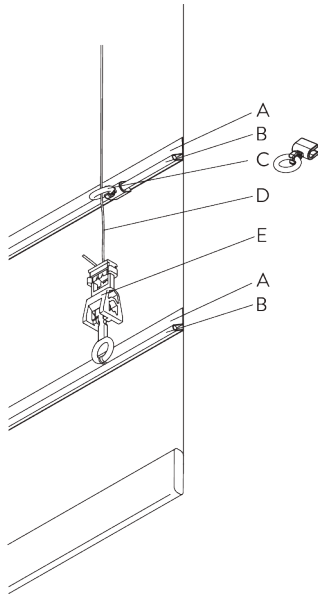
SYSTEM OPTIONS

A. FABRIC MAKE-UP



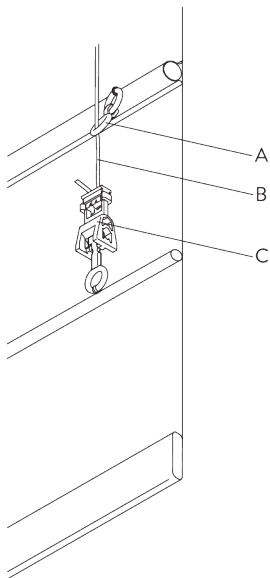
Type A - Softfold

- A: Child safety tape set SG 3166
- B: Set includes tape and child safety eyelet
- C: Tape SG 2163
- D: Child safety hook set SG 3164
- E: Hollow hem
- F: Bottom bar SG 2005



Type B - Hardfold

- A: Tape SG 2136
- B: Rod SG 2135
- C: Child safety eyelet hard fold SG 3069
- D: Tape SG 2163
- E: Child safety hook set SG 3164


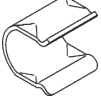
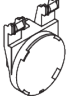
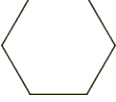


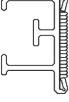





Type C - Hardfold



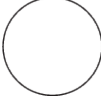
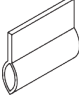
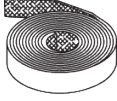
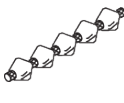

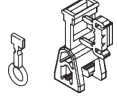
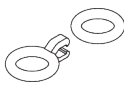
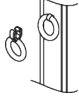
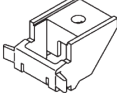
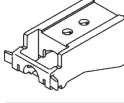
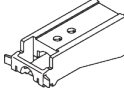
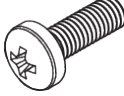
- A: Child safety eyelet set SG 3165
- B: Tape SG 2163
- C: Child safety hook set SG 3164

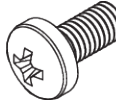
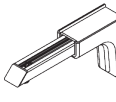
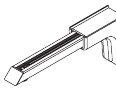
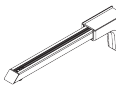
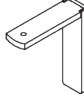
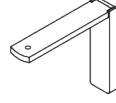
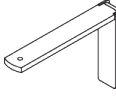
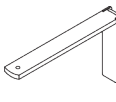
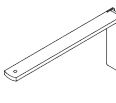
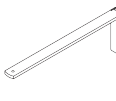
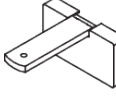
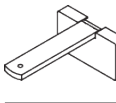
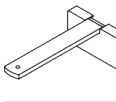
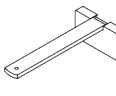
PARTS

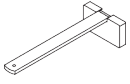
A. STANDARD PARTS

	SG 2049 Chain drive
	SG 2059 Safety clip
	SG 2081 Take-up spool
	SG 2111 Shaft
	SG 2163 Tape
	SG 2179 End cover
	SG 2211 Velcro profile
	SG 2865 Bead chain connector \varnothing 4.6 mm
	SG 4845 Bead chain metal \varnothing 4.5 mm
	SG 10731 Child safety retainer set

B. OPTIONAL PARTS

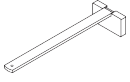
	SG 2005 Bottom bar 40x5 mm
	SG 2006 Bottom bar 28x3 mm
	SG 2135 Rod steel \varnothing 3 mm
	SG 2136 Rod tape
	SG 2539 Tape
	SG 2872 Bead chain plastic \varnothing 4.6 mm
	SG 3069 Child safety eyelet
	SG 3164 Child safety hook set
	SG 3165 Child safety eyelet set
	SG 3166 Child safety tape set
	SG 3603 Bracket
	SG 3655 Bracket 50 mm
	SG 3660 Bracket 65 mm
	SG 10277 Pan head screw M4x12

	SG 10492 Pan head screw M4x8
	SG 11154 Universal Smart Fix 120 mm
	SG 11155 Universal Smart Fix 150 mm
	SG 11156 Universal Smart Fix 200 mm
	SG 11200 Smart Fix 60 mm
	SG 11201 Smart Fix 80 mm
	SG 11202 Smart Fix 100 mm
	SG 11203 Smart Fix 120 mm
	SG 11204 Smart Fix 150 mm
	SG 11205 Smart Fix 200 mm
	SG 11210 Square Smart Fix 60 mm
	SG 11211 Square Smart Fix 80 mm
	SG 11212 Square Smart Fix 100 mm
	SG 11213 Square Smart Fix 120 mm



SG 11214

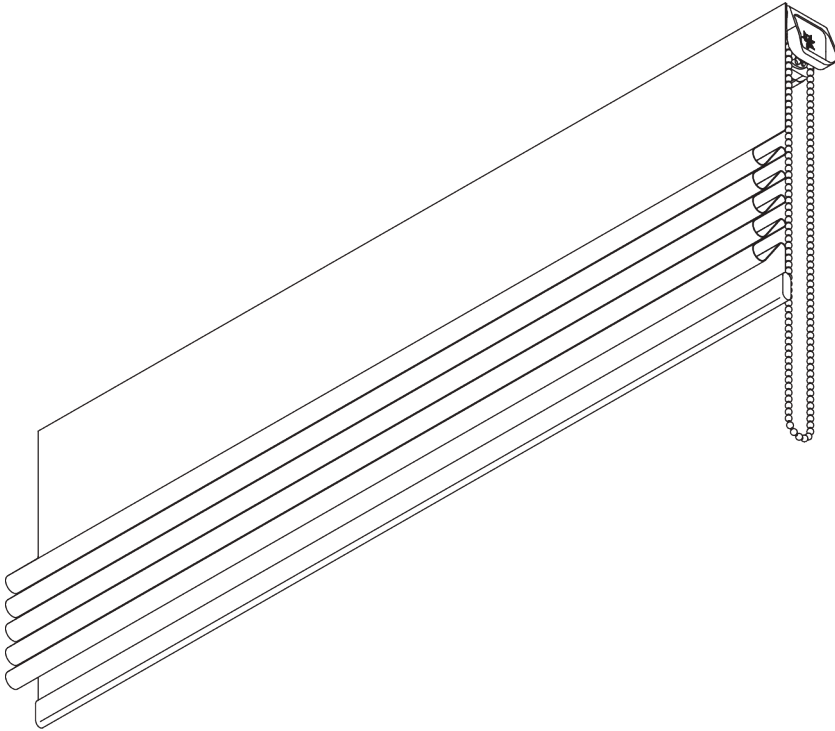
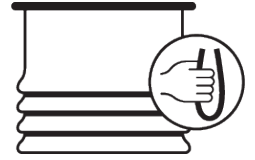
Square Smart Fix 150 mm



SG 11215

Square Smart Fix 200 mm

SG 2305



PRODUCT INFORMATION

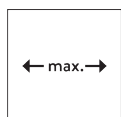
- **Operation:** chain
- **Range:** S - M
- **Fitting:** ceiling, wall
- **Colours:** white RAL 9016, black RAL 9005
- **Fabrics:** refer to Silent Gliss fabric collection

Features:

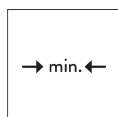
- 4-to-1 gear drive
- Stainless steel bead chain
- Enclosed headrail
- Integrated magnetic child safety end-set

SYSTEM SPECIFICATIONS

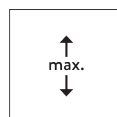
A. SYSTEM DIMENSIONS



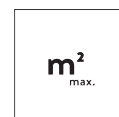
3 m



60 cm



3.4 m



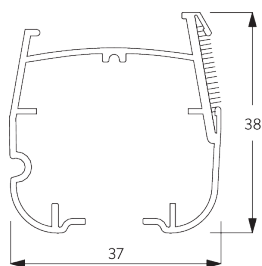
10 m²



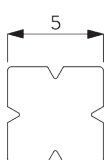
4 kg

B. PROFILE

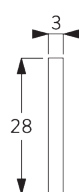
Profile information



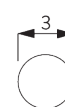
SG 2301
Velcro profile



SG 2309
Shaft



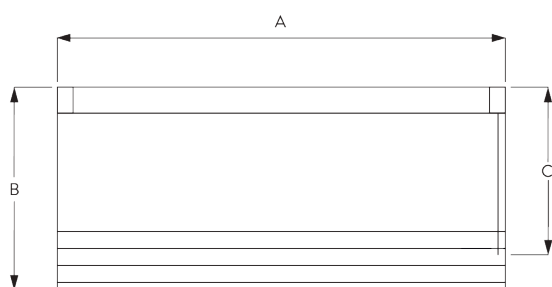
SG 2006
Bottom bar 28x3 mm



SG 2135
Rod steel ø 3 mm

C. HOW TO MEASURE

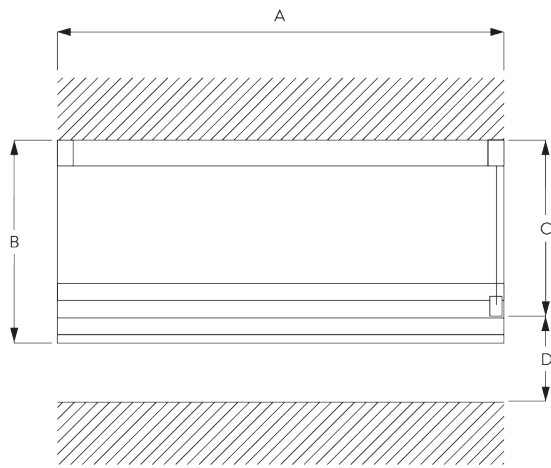
Breakaway child safety chain drive SG 2307



A: System width
B: System height
C: Chain height



Non-breakaway chain drive SG 2317



A: System width
 B: System height
 C: Chain height
 D: Safety retainer SG 10731 min. 150 cm above floor

D. SPECIFICATION
TEXT

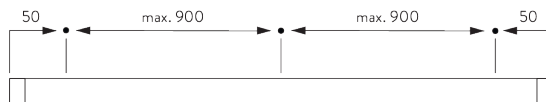
Silent Gliss SG 2305 Chain Operated Roman Blind Headrail System. Comprises headrail SG 2301 made to measure powder coated white/ black finish with bonded hook and loop insert, spools with cord SG 2308 and metal bead chain SG 2311 (optional plastic chain SG 2310). Left / right side hand pull via child safety gear drive set SG 2307 includes endcap, (optional gear drive set without child safety mechanism SG 2317 supplied with chain retainer). Top / face fix using clip bracket SG 2302 at max. 90cm centres (optional face / top fix clamp bracket SG 2346). If supplied with made up blind from Silent Gliss fabric collection includes child safe breakaway components SG 3164 bottom bar set, SG 3069 rod cover (hard / semi hard fold makeup), SG 3165 / 3166 ring (soft fold make-up). Fabric to be attached to headrail profile using loop tape. Compliant to Child Safety Legislation EN 13120.

FITTING

A. FITTING
INFORMATION

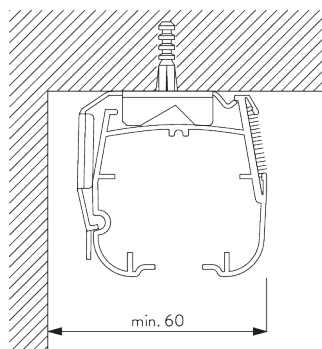
For detailed fitting information, visit the Silent Gliss website.

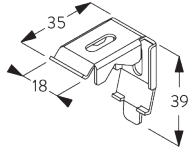
Fixing points



B. CEILING FITTING

Bracket SG 2302

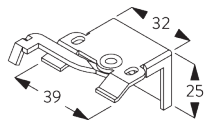
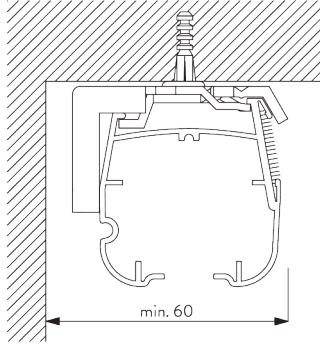




SG 2302

Bracket

Bracket SG 2346

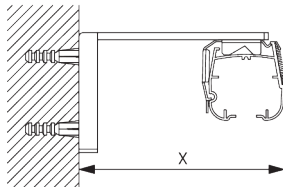


SG 2346

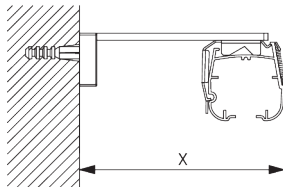
Bracket

C. WALL FITTING

Smart Fix

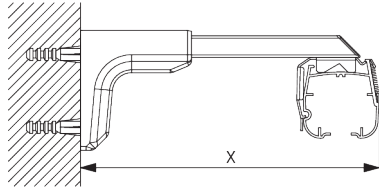


Smart Fix SG 11200 - SG 11205 and bracket SG 2302:
Screw SG 10395 (M4x6) needed.



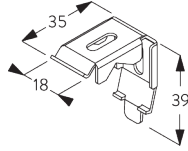
Square Smart Fix SG 11210 - SG 11215 and bracket SG 2302:
Screw SG 10395 (M4x6) needed.

Smart Fix	X mm
SG 11200 / SG 11210	71-79
SG 11201 / SG 11211	91-99
SG 11202 / SG 11212	111-119
SG 11203 / SG 11213	131-139
SG 11204 / SG 11214	161-169
SG 11205 / SG 11215	211-219
SG 11154	126-152
SG 11155	156-182
SG 11156	206-232



Universal Smart Fix SG 11154 - SG 11156 and bracket SG 2302:

Screw SG 10492 (M4x8) needed.



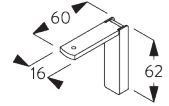
SG 2302
Bracket



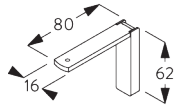
SG 10395
Pan head screw M4x6



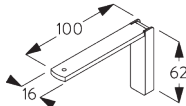
SG 10492
Pan head screw M4x8



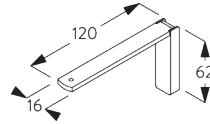
SG 11200
Smart Fix 60 mm



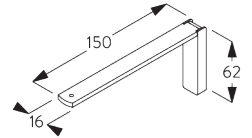
SG 11201
Smart Fix 80 mm



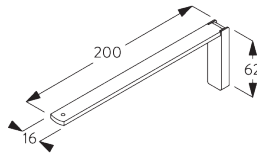
SG 11202
Smart Fix 100 mm



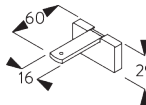
SG 11203
Smart Fix 120 mm



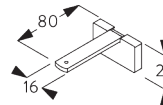
SG 11204
Smart Fix 150 mm



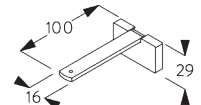
SG 11205
Smart Fix 200 mm



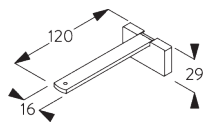
SG 11210
Square Smart Fix 60 mm



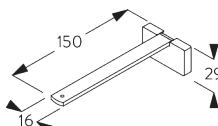
SG 11211
Square Smart Fix 80 mm



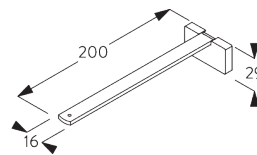
SG 11212
Square Smart Fix 100 mm



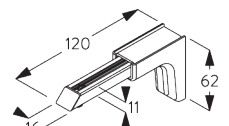
SG 11213
Square Smart Fix 120 mm



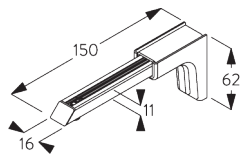
SG 11214
Square Smart Fix 150 mm



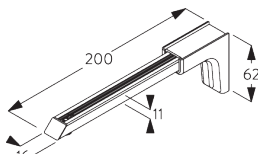
SG 11215
Square Smart Fix 200 mm



SG 11154
Universal Smart Fix 120 mm



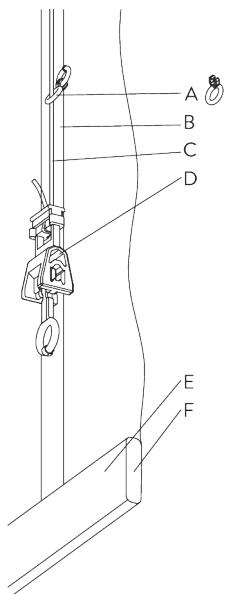
SG 11155
Universal Smart Fix 150 mm



SG 11156
Universal Smart Fix 200 mm

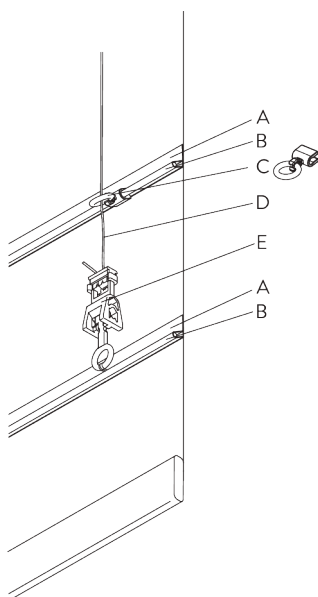
SYSTEM OPTIONS

A. FABRIC MAKE-UP



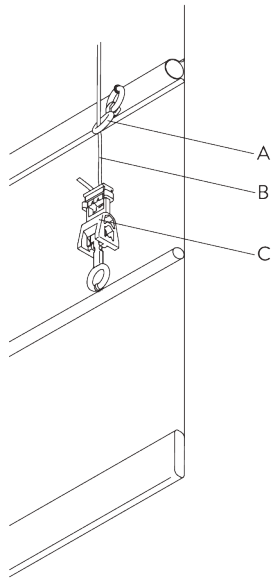
Type A - Softfold

- A: Child safety tape set SG 3166
- B: Set includes tape and child safety eyelet
- C: Tape SG 2163
- D: Child safety hook set SG 3164
- E: Hollow hem
- F: Bottom bar SG 2005



Type B - Hardfold

- A: Tape SG 2136
- B: Rod SG 2135
- C: Child safety eyelet hard fold SG 3069
- D: Tape SG 2163
- E: Child safety hook set SG 3164



Type C - Hardfold

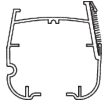
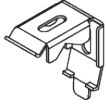
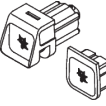
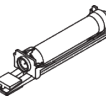
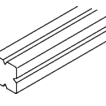

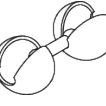
A: Child safety eyelet set SG 3165

B: Tape SG 2163

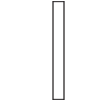

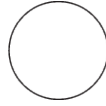
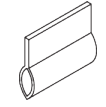
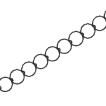
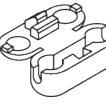
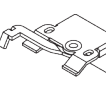
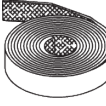

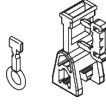
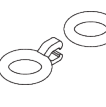

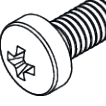
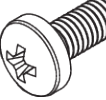
C: Child safety hook set SG 3164


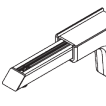
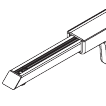
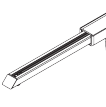
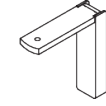
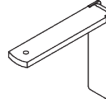
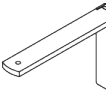
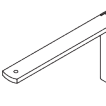
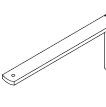

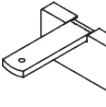
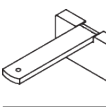
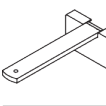
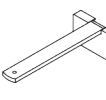
PARTS

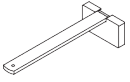
A. STANDARD PARTS

	SG 2301 Velcro profile
	SG 2302 Bracket
	SG 2307 Child safety chain drive set 4:1
	SG 2308 Cord drum with lift cord
	SG 2309 Shaft
	SG 2311 Bead chain metal ø 4.5 mm
	SG 2312 Bead chain connector metal

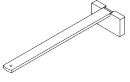
B. OPTIONAL PARTS

	SG 2006 Bottom bar 28x3 mm
	SG 2091 End cover
	SG 2135 Rod steel ø 3 mm
	SG 2136 Rod tape
	SG 2310 Bead chain plastic ø 4.5 mm
	SG 2319 Bead chain connector plastic
	SG 2346 Bracket
	SG 2539 Tape
	SG 3069 Child safety eyelet
	SG 3164 Child safety hook set
	SG 3165 Child safety eyelet set
	SG 3166 Child safety tape set
	SG 10395 Pan head screw M4x6
	SG 10492 Pan head screw M4x8

	SG 10731 Child safety retainer set
	SG 11154 Universal Smart Fix 120 mm
	SG 11155 Universal Smart Fix 150 mm
	SG 11156 Universal Smart Fix 200 mm
	SG 11200 Smart Fix 60 mm
	SG 11201 Smart Fix 80 mm
	SG 11202 Smart Fix 100 mm
	SG 11203 Smart Fix 120 mm
	SG 11204 Smart Fix 150 mm
	SG 11205 Smart Fix 200 mm
	SG 11210 Square Smart Fix 60 mm
	SG 11211 Square Smart Fix 80 mm
	SG 11212 Square Smart Fix 100 mm
	SG 11213 Square Smart Fix 120 mm

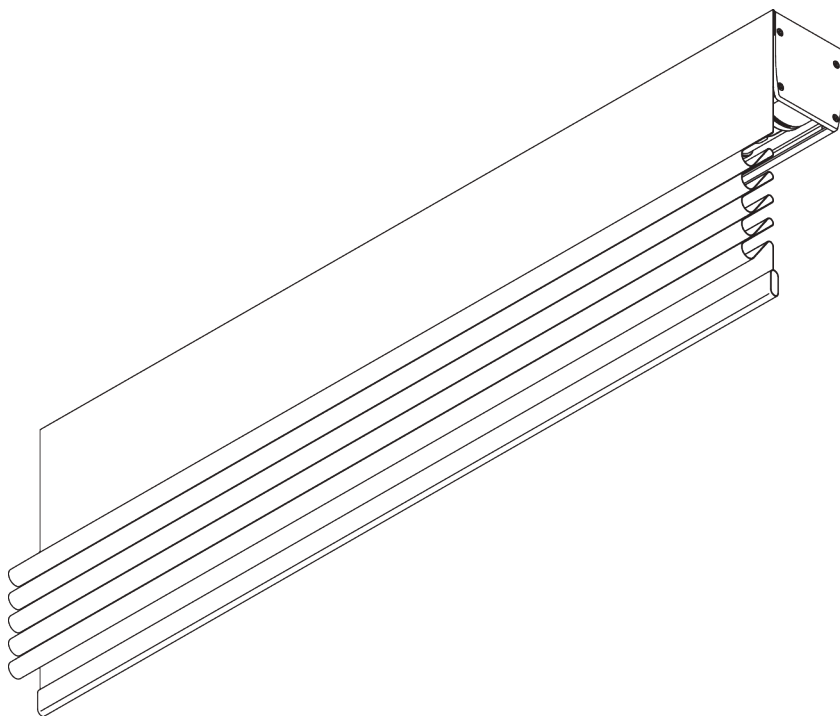
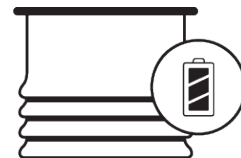


SG 11214
Square Smart Fix 150 mm



SG 11215
Square Smart Fix 200 mm

SG 2345



PRODUCT INFORMATION

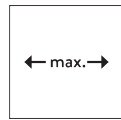
- **Operation:** motorised (battery operated)
- **Range:** S - M
- **Fitting:** ceiling, wall
- **Colours:** white RAL 9016
- **Fabrics:** refer to Silent Gliss fabric collection

Features:

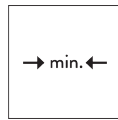
- Various control options
- Easy exchange of batteries
- Enclosed headrail

SYSTEM SPECIFICATIONS

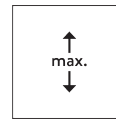
A. SYSTEM DIMENSIONS



6 m



60 cm



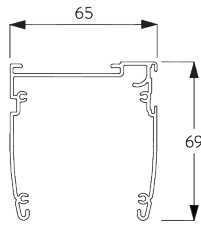
6 m



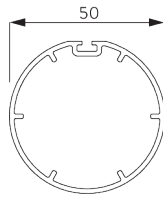
2.5 kg

B. PROFILE

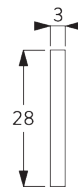
Profile information



SG 2351
Profile



SG 2352
Profile ø 50 mm

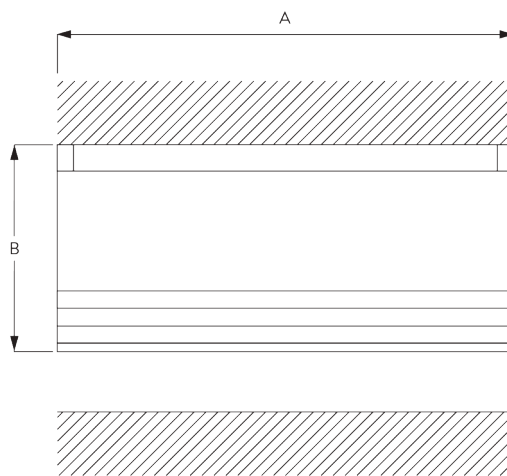


SG 2006
Bottom bar 28x3 mm



SG 2135
Rod steel ø 3 mm

C. HOW TO MEASURE



A: System width
B: System height

D. SPECIFICATION TEXT

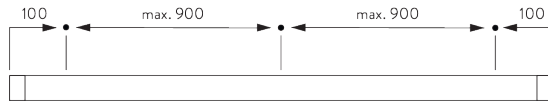
Silent Gliss SG 2345 Battery Operated Roman Blind System. Ready-assembled comprising aluminium headbox SG 2351 made to measure powder coated in white finish with bonded hook and loop insert, winding tube SG 2352, lift cord SG 2216 and lift cord release mechanism SG 2353 / SG 2354. Ceiling/face fix using universal bracket SG 2363 / wall fix with Silent Gliss Smart Fix bracket range in conjunction with SG 2521 bracket. Integral motor SG 11076 and battery pack SG 11077 with 8 no. lithium batteries SG 11099. Supplied as standard with radio wall transmitter SG 10949. If supplied with made up blind from Silent Gliss fabric collection includes child safe breakaway components SG 31624 bottom bar set, SG 3069 rod cover (hard / semi hard fold makeup), SG 3165 / 3166 ring (soft fold make-up). Compliant to Child Safety legislation EN 13120

FITTING

A. FITTING INFORMATION

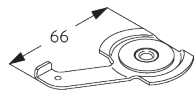
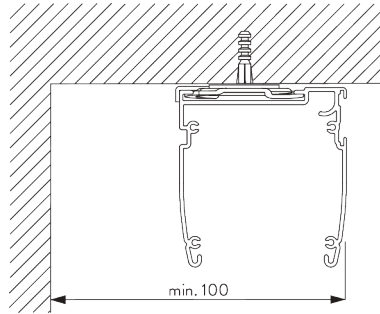
For detailed fitting information, visit the *Silent Gliss* website.

Fixing points



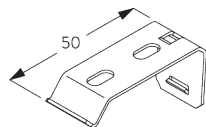
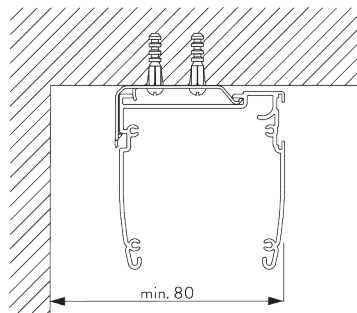
B. CEILING FITTING

Clamp SG 3003



SG 3003
Clamp

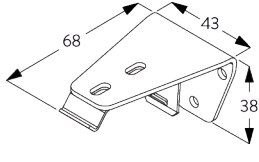
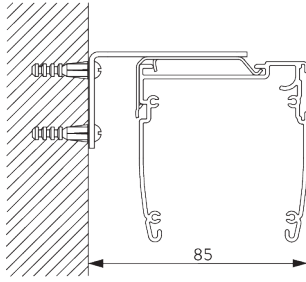
Bracket SG 2521



SG 2521
Bracket

C. WALL FITTING

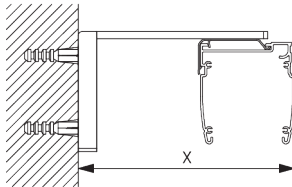
Bracket SG 2363



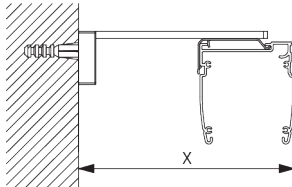
SG 2363

Bracket 68 mm

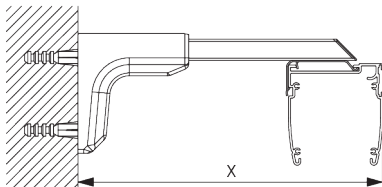
Smart Fix



Smart Fix SG 11200 - SG 11204 and bracket SG 2521:
Screw SG 10395 (M4x6) needed.

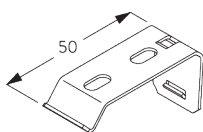


Square Smart Fix SG 11210 - SG 11214 and bracket SG 2521:
Screw SG 10395 (M4x6) needed.



Universal Smart Fix SG 11154 - SG 11156 and bracket SG 2521:
Screw SG 10492 (M4x8) needed.

Smart Fix	X mm
SG 11200 / SG 11210	80-84
SG 11201 / SG 11211	100-104
SG 11202 / SG 11212	120-124
SG 11203 / SG 11213	140-144
SG 11204 / SG 11214	170-174
SG 11154	134-162
SG 11155	164-192
SG 11156	214-242



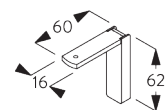
SG 2521
Bracket



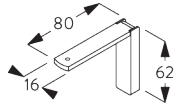
SG 10395
Pan head screw M4x6



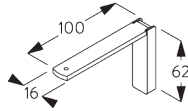
SG 10492
Pan head screw M4x8



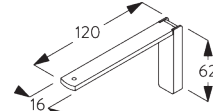
SG 11200
Smart Fix 60 mm



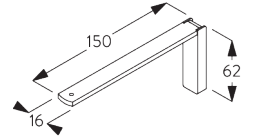
SG 11201
Smart Fix 80 mm



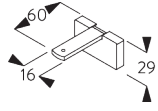
SG 11202
Smart Fix 100 mm



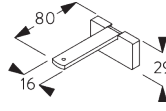
SG 11203
Smart Fix 120 mm



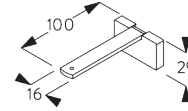
SG 11204
Smart Fix 150 mm



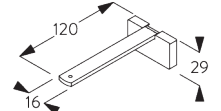
SG 11210
Square Smart Fix 60 mm



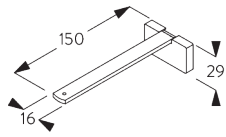
SG 11211
Square Smart Fix 80 mm



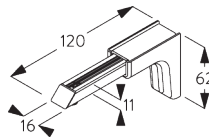
SG 11212
Square Smart Fix 100 mm



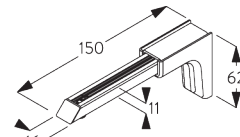
SG 11213
Square Smart Fix 120 mm



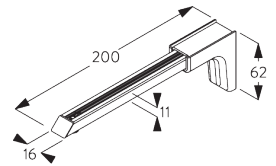
SG 11214
Square Smart Fix 150 mm



SG 11154
Universal Smart Fix 120 mm



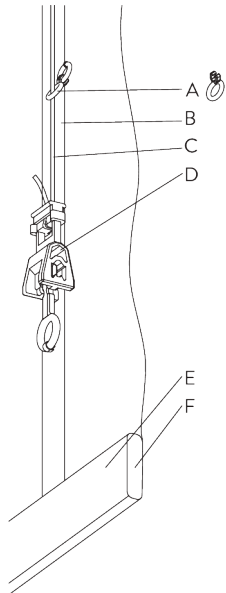
SG 11155
Universal Smart Fix 150 mm



SG 11156
Universal Smart Fix 200 mm

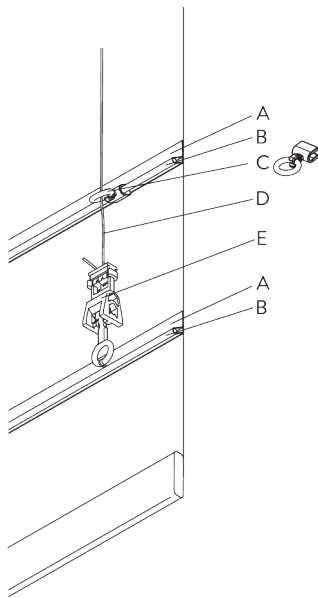
SYSTEM OPTIONS

A. FABRIC MAKE-UP



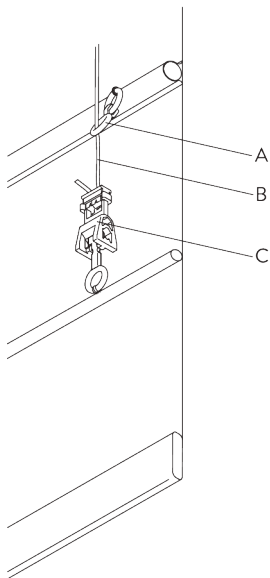
Type A - Softfold

- A: Child safety tape set SG 3166
- B: Set includes tape and child safety eyelet
- C: Tape SG 2163
- D: Child safety hook set SG 3164
- E: Hollow hem
- F: Bottom bar SG 2005



Type B - Hardfold

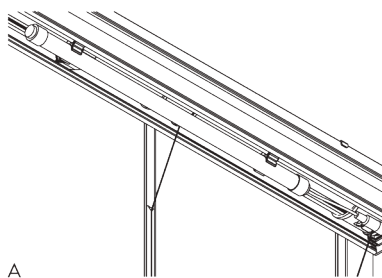
- A: Tape SG 2136
- B: Rod SG 2135
- C: Child safety eyelet hard fold SG 3069
- D: Tape SG 2163
- E: Child safety hook set SG 3164



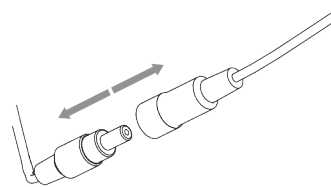
Type C - Hardfold

- A: Child safety eyelet set SG 3165
- B: Tape SG 2163
- C: Child safety hook set SG 3164

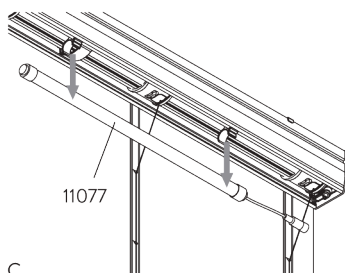
B. BATTERY EXCHANGE



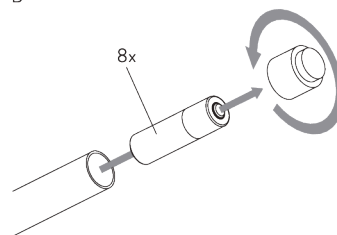
A



B



C



D

MOTOR & CONTROLS

A. MOTOR FEATURES

Motor	SG 11076
-------	----------

Motor Features

Soft start / stop	●
Built-in receiver	●
Electronic end-stop	●
Electronic revolution counter (unlimited revolution)	●
IP class	IP 44

Control Features

SG Control A	●
--------------	---

B. MOTOR SPECIFICATIONS

Motor	Min. system width	Voltage	Current	Speed	Frequency receiver
SG 11076	60 cm	12 V DC	0.55 A	30 rpm	433 MHz

C. OPERATION METHODS

See catalogue "controls" for details.


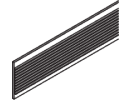
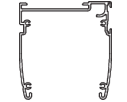
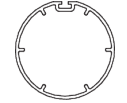
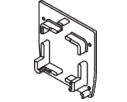
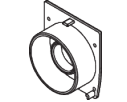
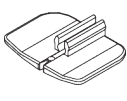

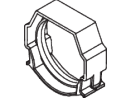
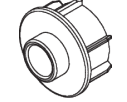
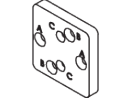
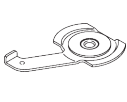
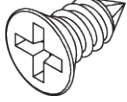
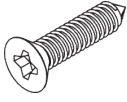
SG Control A





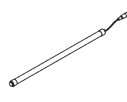

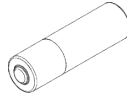
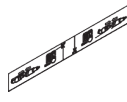


Various radio hand-held and wall transmitters available.

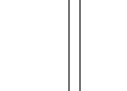
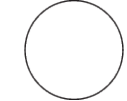
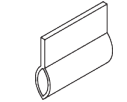
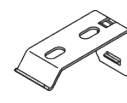

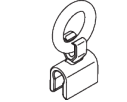
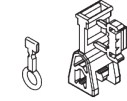
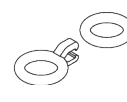
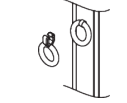
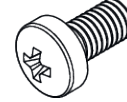


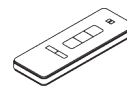
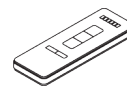
PARTS

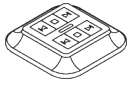
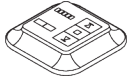
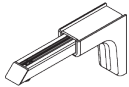
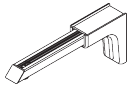
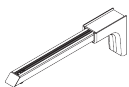
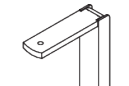
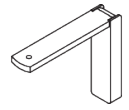
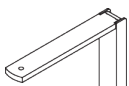
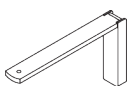
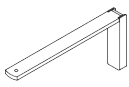
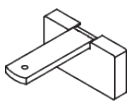
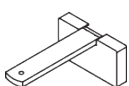
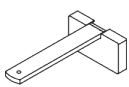
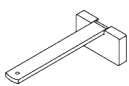
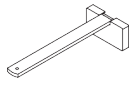
A. STANDARD PARTS

	SG 2216 Cord ø 0.85 mm
	SG 2221 Velcro tape
	SG 2351 Profile
	SG 2352 Profile ø 50 mm
	SG 2353 End cover
	SG 2354 End cover
	SG 2357 Pin
	SG 2358 Shell
	SG 2359 Support
	SG 2361 Tube adapter
	SG 2368 Motor plate
	SG 3003 Clamp
	SG 10139 Countersunk screw 2.9x6.5
	SG 10467 Countersunk head screw 2.9x13

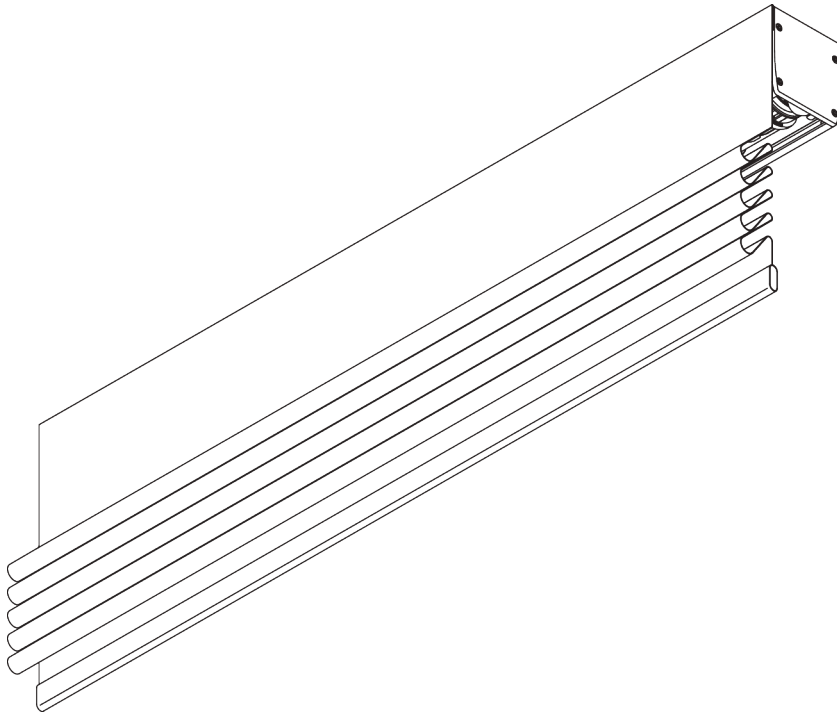
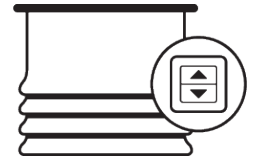
	SG 10949 Radio wall transmitter 1 channel
	SG 11071 Motor drive
	SG 11074 Tube adapter
	SG 11076 Motor 12V DC, 1.2/30
	SG 11077 Battery box
	SG 11085 Battery box holder
	SG 11099 AA Energizer Ultimate lithium batteries
	SG 11103 Warning sticker

B. OPTIONAL PARTS

	SG 2006 Bottom bar 28x3 mm
	SG 2135 Rod steel ø 3 mm
	SG 2136 Rod tape
	SG 2521 Bracket
	SG 2539 Tape
	SG 3069 Child safety eyelet
	SG 3164 Child safety hook set
	SG 3165 Child safety eyelet set
	SG 3166 Child safety tape set
	SG 10395 Pan head screw M4x6
	SG 10492 Pan head screw M4x8
	SG 10946 Radio hand held 1 channel
	SG 10947 Radio hand held 2+1 channel
	SG 10948 Radio hand held 6+1 channel

**SG 10950***Radio wall transmitter 2 channel***SG 10951***Radio wall transmitter 5+1 channel***SG 11154***Universal Smart Fix 120 mm***SG 11155***Universal Smart Fix 150 mm***SG 11156***Universal Smart Fix 200 mm***SG 11200***Smart Fix 60 mm***SG 11201***Smart Fix 80 mm***SG 11202***Smart Fix 100 mm***SG 11203***Smart Fix 120 mm***SG 11204***Smart Fix 150 mm***SG 11210***Square Smart Fix 60 mm***SG 11211***Square Smart Fix 80 mm***SG 11212***Square Smart Fix 100 mm***SG 11213***Square Smart Fix 120 mm***SG 11214***Square Smart Fix 150 mm***SG 11429***Radio timer unit 1 channel*

SG 2350



PRODUCT INFORMATION

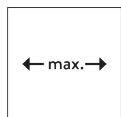
- **Operation:** motorised
- **Range:** S - L
- **Fitting:** ceiling, wall
- **Colours:** white RAL 9016
- **Fabrics:** refer to Silent Gliss fabric collection

Features:

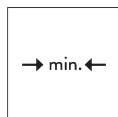
- Quiet and fast motors
- Soft stop
- Various control options
- Enclosed headrail

SYSTEM SPECIFICATIONS

A. SYSTEM DIMENSIONS

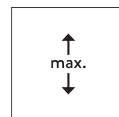


6 m

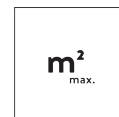


60 cm*

*see motor specification table



6 m



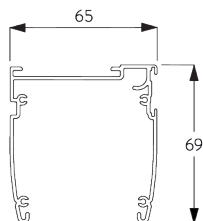
36 m²



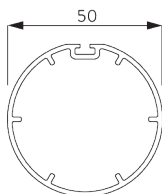
15 kg

B. PROFILE

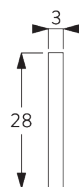
Profile information



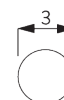
SG 2351
Profile



SG 2352
Profile ø 50 mm

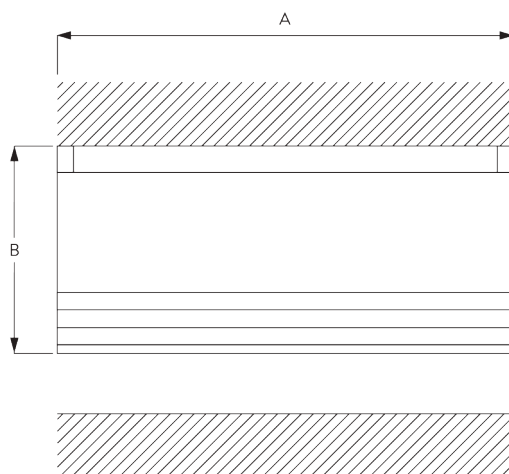


SG 2006
Bottom bar 28x3 mm



SG 2135
Rod steel ø 3 mm

C. HOW TO MEASURE



A: System width
B: System height

D. SPECIFICATION

TEXT

Silent Gliss SG 2350 Electrically Operated Austrian/Roman Blind System with Smart by Silent Gliss motor. Ready-assembled comprising aluminium headbox SG 2351 made to measure in powder coated white finish with bonded hook and loop insert, winding tube SG 2352, lift cord SG 2216 and cord release mechanism SG 2353 /SG 2354. Ceiling/face fix using universal bracket SG 2363 wall fix with Silent Gliss Smart Fix bracket range in conjunction with SG 2521 bracket. If supplied with made up blind from Silent Gliss fabric collection includes child safe breakaway components SG 31624 bottom bar set, SG 3069 rod cover (hard / semi hard fold makeup), SG 3165 / 3166 ring (soft fold make-up). Integral 24V DC powered Smart by Silent Gliss motor left / right side. Operation only via Silent Gliss Smart Gateway and associated components in conjunction with compatible third-party control systems. All wiring to be strictly in accordance with Silent Gliss wiring diagrams.

Silent Gliss SG 2350 Electrically Operated Austrian/Roman Blind System with SG Series 40 motors. Ready-assembled comprising aluminium headbox SG 2351 made to measure in powder coated white finish with bonded hook and loop insert, winding tube SG 2352, lift cord SG 2216 and cord release mechanism SG 2353 / SG 2354. Ceiling / face fix using universal bracket SG 2363 wall fix with Silent Gliss Smart Fix bracket range in conjunction with SG 2521 bracket. If supplied with made up blind from Silent Gliss fabric collection includes child safe breakaway components SG 31624 bottom bar set , SG 3069 rod cover (hard / semi hard fold makeup) , SG 3165 / SG 3166 ring (soft fold make up). Integral 24V DC motor (transformer not included) / 100-240V AC 50/60Hz motor. Operation by dry contact switching either from fixed switch (not supplied) or third-party control system and / or SG Control L radio control system (at additional cost) via integrated receiver. All wiring to be strictly in accordance with Silent Gliss wiring diagrams.

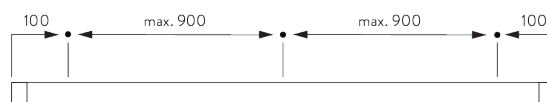
Silent Gliss SG 2350 Electrically Operated Austrian/Roman Blind System with SG Series 20 motors. Ready-assembled comprising aluminium headbox SG 2351 made to measure in powder coated white finish with bonded hook and loop insert, winding tube SG 2352, lift cord SG 2216 and cord release mechanism SG 2353 / SG 2354. Ceiling/face fix using universal bracket SG 2363 wall fix with Silent Gliss Smart Fix bracket range in conjunction with SG 2521 bracket. If supplied with made up blind from Silent Gliss fabric collection includes child safe breakaway components SG 31624 bottom bar set, SG 3069 rod cover (hard / semi hard fold makeup), SG 3165 / SG 3166 ring (soft fold make-up). Integral 230v 50 Hz powered motor. Operation by mains switch (not supplied) or mains switching by third party control system or SG Control R remote control system (wireless controls at extra cost). All wiring to be strictly in accordance with Silent Gliss wiring diagrams.

FITTING

A. FITTING INFORMATION

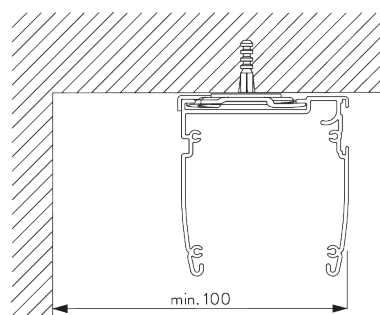
Fixing points

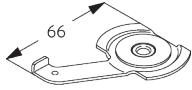
For detailed fitting information, visit the [Silent Gliss website](#).



B. CEILING FITTING

Clamp SG 3003

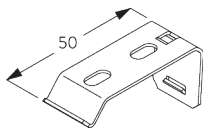
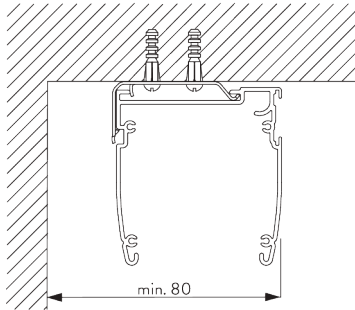




SG 3003

Clamp

Bracket SG 2521

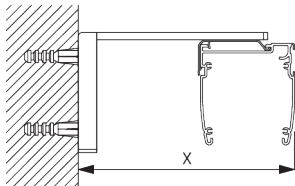


SG 2521

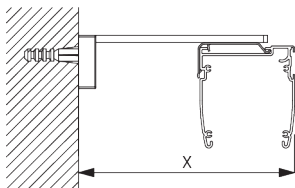
Bracket

C. WALL FITTING

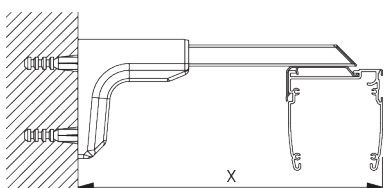
Smart Fix



Smart Fix SG 11200 - SG 11204 and bracket SG 2521:
Screw SG 10395 (M4x6) needed.

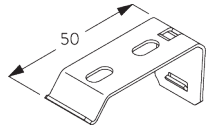


Square Smart Fix SG 11210 - SG 11214 and bracket SG 2521:
Screw SG 10395 (M4x6) needed.



Universal Smart Fix SG 11154 - SG 11156 and bracket SG 2521:
Screw SG 10492 (M4x8) needed.

Smart Fix	X mm
SG 11200 / SG 11210	80-84
SG 11201 / SG 11211	100-104
SG 11202 / SG 11212	120-124
SG 11203 / SG 11213	140-144
SG 11204 / SG 11214	170-174
SG 11154	134-162
SG 11155	164-192
SG 11156	214-242



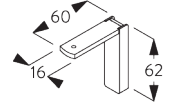
SG 2521
Bracket



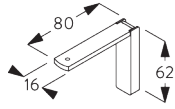
SG 10395
Pan head screw M4x6



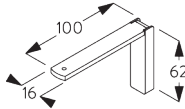
SG 10492
Pan head screw M4x8



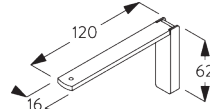
SG 11200
Smart Fix 60 mm



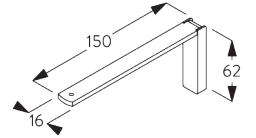
SG 11201
Smart Fix 80 mm



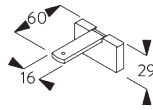
SG 11202
Smart Fix 100 mm



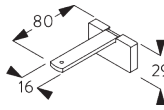
SG 11203
Smart Fix 120 mm



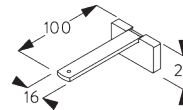
SG 11204
Smart Fix 150 mm



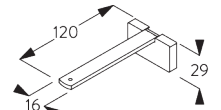
SG 11210
Square Smart Fix 60 mm



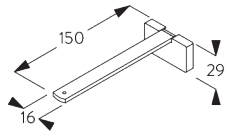
SG 11211
Square Smart Fix 80 mm



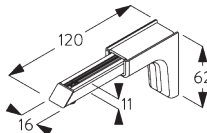
SG 11212
Square Smart Fix 100 mm



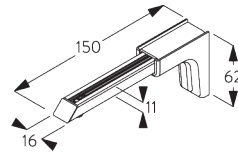
SG 11213
Square Smart Fix 120 mm



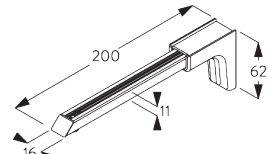
SG 11214
Square Smart Fix 150 mm



SG 11154
Universal Smart Fix 120 mm

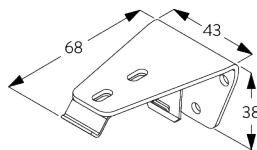
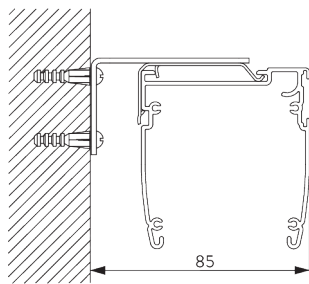


SG 11155
Universal Smart Fix 150 mm



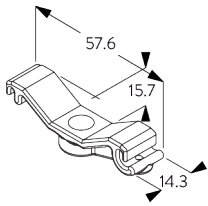
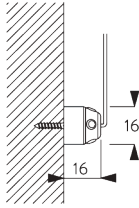
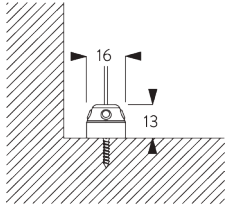
SG 11156
Universal Smart Fix 200 mm

Bracket SG 2363

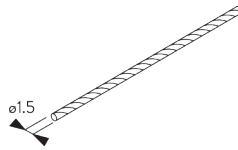


SG 2363
Bracket 68 mm

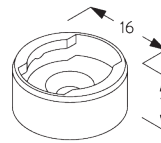
**D. FITTING WITH
SIDE GUIDE
OPTION**



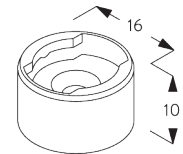
SG 2362
Side guide wire holder



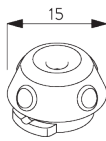
SG 4948
Side guide wire \varnothing 1.5 mm



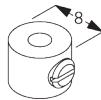
SG 8235
Side guide wire base short



SG 8236
Side guide wire base long



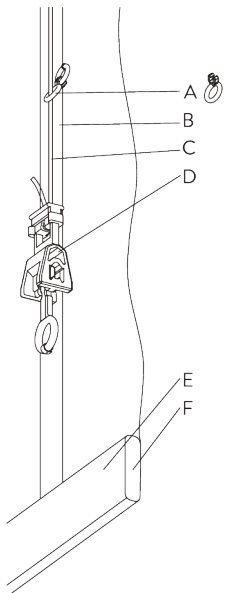
SG 8237
Side guide wire holder



SG 8249
Side guide device

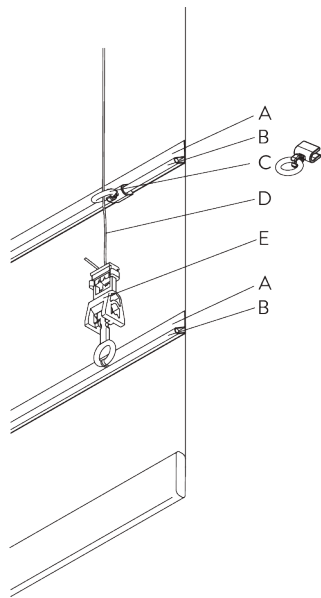
SYSTEM OPTIONS

A. FABRIC MAKE-UP



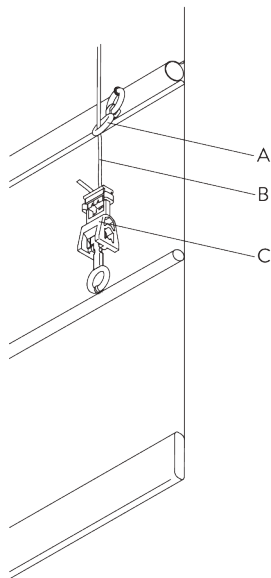
Type A - Softfold

- A: Child safety tape set SG 3166
- B: Set includes tape and child safety eyelet
- C: Tape SG 2163
- D: Child safety hook set SG 3164
- E: Hollow hem
- F: Bottom bar SG 2005



Type B - Hardfold

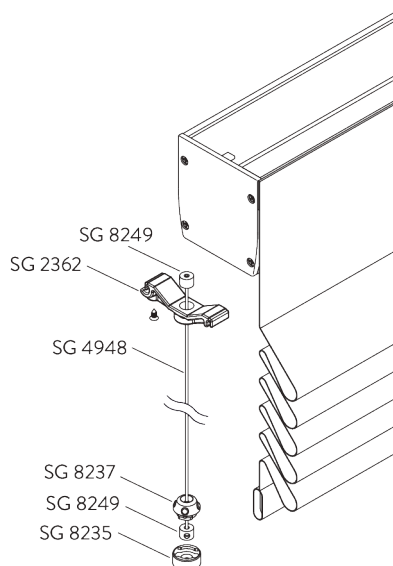
- A: Tape SG 2136
- B: Rod SG 2135
- C: Child safety eyelet hard fold SG 3069
- D: Tape SG 2163
- E: Child safety hook set SG 3164



Type C - Hardfold

- A: Child safety eyelet set SG 3165
- B: Tape SG 2163
- C: Child safety hook set SG 3164

B. SIDE GUIDES



Additional parts:

- 2x SG 2362 Side guide wire holder
- 2x SG 4948 Side guide wire \varnothing 1.5 mm
- 2x SG 8235 Side guide wire base short
- 2x SG 8237 Side guide wire holder
- 4x SG 8249 Side guide device

Note:

- Up to 15° from vertical

MOTORS & CONTROLS

A. MOTOR FEATURES

Motors	50-Series	40-Series	20-Series
	SG 11251 SG 11252	SG 11241 SG 11242 SG 11244 SG 11245	SG 10322 SG 10422 SG 10520 SG 10522

Motor Features

Soft stop	●	●	●
Electronic end-stop	●	●	●
Electronic revolution counter (unlimited revolution)	●	●	●
Mechanical end-stop			
Mechanical revolution counter (limited revolution)			
Two intermediate positions possible		●	
Bottom bar alignment	●	●	
Noiseless stop			●
Parallel wiring possible without additional relays		●	●
Disconnectable motor cable	●	●	●
IP class	IP 30	IP 30	IP 44

Control Features

Mains power control			●
Dry contact control		●	
Dry contact and / or SG Control L control		●	
SG Control L (built-in receiver)		●	
SG Control R (external receiver required)			●
Smart by Silent Gliss	●		
Suitable for most major home automation systems (with suitable interface)		●	●

B. MOTOR SPECIFICATIONS

Motors	Max. weight	Min. system width	Voltage	Current	Frequency	Speed	Frequency receiver
--------	-------------	-------------------	---------	---------	-----------	-------	--------------------

50-Series (Smart by Silent Gliss)

SG 11251	7.5 kg	60 cm	24 V DC	1.5 A	n/a	32 rpm	n/a
SG 11252	15 kg	60 cm	24 V DC	2.1 A	n/a	20 rpm	n/a

40-Series

SG 11241	7.5 kg	82 cm	100-240 V AC	0.6 A	50-60 Hz	32 rpm	868 MHz
SG 11242	15 kg	82 cm	100-240 V AC	0.8 A	50-60 Hz	20 rpm	868 MHz
SG 11244	7.5 kg	60 cm	24 V DC	1.5 A	n/a	32 rpm	868 MHz
SG 11245	15 kg	60 cm	24 V DC	2 A	n/a	20 rpm	868 MHz

20-Series

SG 10322 (standard)	15 kg	60 cm	230 V AC	0.73 A	50 Hz	30 rpm	n/a
SG 10422	7.5 kg	60 cm	120 V AC	1.1 A	50 Hz	36 rpm	n/a
SG 10520	15 kg	60 cm	120 V AC	1.1 A	50 Hz	19 rpm	n/a
SG 10522	7.5 kg	60 cm	230 V AC	0.55 A	50 Hz	30 rpm	n/a

C. OPERATING METHODS

See catalogue "controls" for details.

Wall Switch



System can be operated by fixed wall switch.

SG Control L



Various radio hand-held and wall transmitters available.



Silent Gliss Move App.

SG Control R



Various radio hand-held and wall transmitters available.
An external receiver is required.

Smart by Silent Gliss



Open designed two-way communication system which allows to flawlessly integrate products with most major building management systems.

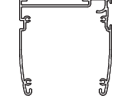
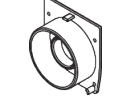

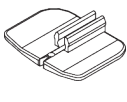

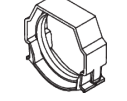

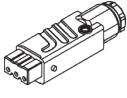
D. WIRING
DIAGRAMS

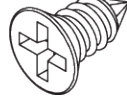





Refer to Silent Gliss website.

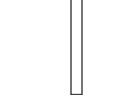

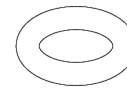
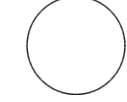
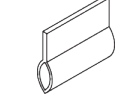
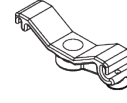
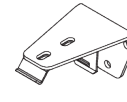
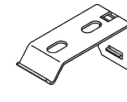


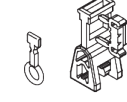
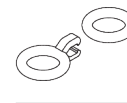


PARTS

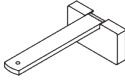


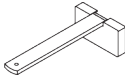


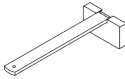
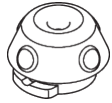
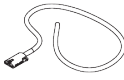

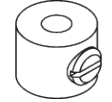
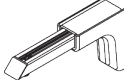


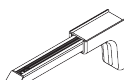


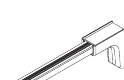


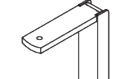


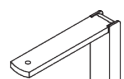



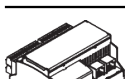


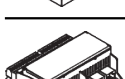


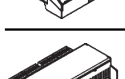

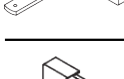
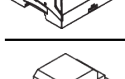

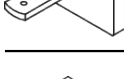
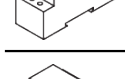
A. STANDARD PARTS

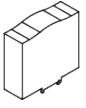
	SG 2216 Cord ø 0.85 mm
	SG 2221 Velcro tape
	SG 2351 Profile
	SG 2352 Profile ø 50 mm
	SG 2353 End cover
	SG 2354 End cover
	SG 2355 Tube adapter
	SG 2357 Pin
	SG 2358 Shell
	SG 2359 Support
	SG 2361 Tube adapter
	SG 2368 Motor plate
	SG 3003 Clamp
	SG 9917 Hirschmann portable socket-outlet STAK 3 N

	SG 10139 Countersunk screw 2.9x6.5
	SG 10284 O-Ring
	SG 10322 Tubular motor 230V AC, 20 Series 5/30
	SG 11324 PT Screw Countersunk KA35x14

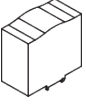
B. OPTIONAL PARTS

	SG 2006 Bottom bar 28x3 mm
	SG 2091 End cover
	SG 2093 Ring
	SG 2135 Rod steel ø 3 mm
	SG 2136 Rod tape
	SG 2362 Side guide wire holder
	SG 2363 Bracket 68 mm
	SG 2521 Bracket
	SG 2539 Tape
	SG 3069 Child safety eyelet
	SG 3164 Child safety hook set
	SG 3165 Child safety eyelet set
	SG 3166 Child safety tape set
	SG 4948 Side guide wire ø 1.5 mm

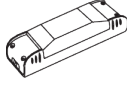
	SG 5736 Relay socket		SG 10520 Tubular motor 120V AC, 20 Series 5/20, UL		SG 11212 Square Smart Fix 100 mm
	SG 8235 Side guide wire base short		SG 10522 Motor 230V AC, 20-Series 3/30		SG 11213 Square Smart Fix 120 mm
	SG 8236 Side guide wire base long		SG 10804 Radio hand held 15+5+1 channel		SG 11214 Square Smart Fix 150 mm
	SG 8237 Side guide wire holder		SG 10851 2 m cable UL certified incl. plug only for USA		SG 11241 Tubular motor 100-240V AC, 40-Series 3/32, radio receiver
	SG 8249 Side guide device		SG 11154 Universal Smart Fix 120 mm		SG 11242 Tubular motor 100-240V AC, 40-Series 6/20, radio receiver
	SG 9916 Hirschmann plug set		SG 11155 Universal Smart Fix 150 mm		SG 11244 Tubular motor 24V DC, 40 Series 3/32, radio receiver
	SG 9959 Central control unit relay		SG 11156 Universal Smart Fix 200 mm		SG 11245 Tubular motor 24V DC, 40-Series 6/20, radio receiver
	SG 10293 Cable 230V AC, 2/3/5/10 m		SG 11200 Smart Fix 60 mm		SG 11251 Motor 24V DC, 50-Series 3/32
	SG 10300 Radio hand held 1 channel		SG 11201 Smart Fix 80 mm		SG 11252 Motor 24V DC, 50-Series 6/20
	SG 10302 Radio hand held 5+1 channel		SG 11202 Smart Fix 100 mm		SG 11260 Gateway Cedia
	SG 10303 Radio hand held 10+2+1 channel		SG 11203 Smart Fix 120 mm		SG 11261 Gateway KNX
	SG 10395 Pan head screw M4x6		SG 11204 Smart Fix 150 mm		SG 11262 Expansion unit
	SG 10422 Tubular motor 120V AC, 20 Series 3/36, UL		SG 11210 Square Smart Fix 60 mm		SG 11263 Power supply 24V DC, 2.5A DIN Rail
	SG 10492 Pan head screw M4x8		SG 11211 Square Smart Fix 80 mm		SG 11264 Power supply 24V DC, 3.8A DIN Rail

**SG 11265**

Power supply 24V DC, 5A DIN Rail

**SG 11266**

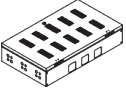
Power supply 24V DC, 10A DIN Rail

**SG 20919**

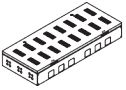
Control module motor type R

**SG 11281**

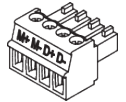
Cabinet for 8 systems

**SG 11282**

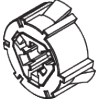
Cabinet for 24 systems

**SG 11283**

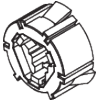
Cabinet for 56 systems

**SG 11319**

Plug 4-pin, MC 1.5/4-ST-3.81

**SG 11351**

Motor drive 5-Series

**SG 11352**

Motor drive 40/50-Series

**SG 11480**

Radio wall transmitter 1 channel

**SG 11490**

Radio wall transmitter 5+1 channel

**SG 20336**

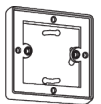
Hand held transmitter 8 channel

**SG 20913**

Wall switch single channel

**SG 20914**

Wall switch 8 channel

**SG 20917**

Pattress box

The Architects of Silence

Silent Gliss is the leading global supplier of premium interior window treatments. Since 1952 we have been tirelessly committed to the development of the world's smoothest, quietest systems using state of the art technology.

Driven by customer needs, Silent Gliss offers functional and durable products. Expert technical advice coupled with installation and support services complete the offer. Silent Gliss stands for innovative, sustainable, tailor made solutions, exceptional design and first-class quality.

Silent Gliss Ltd.

Pyramid Business Park
Poorhole Lane, Broadstairs
Kent CT10 2PT
United Kingdom
T +44 1843 863571
F +44 1843 864503
info@silentgliss.co.uk

Silent Gliss Global Ltd.

Pyramid Business Park
Poorhole Lane, Broadstairs
Kent CT10 2PT
United Kingdom
T +44 1843 874250
F +44 1843 864503
info@silentglissglobal.com

Silent Gliss Blinds Trading LLC

Office 1906
The H Hotel Complex
Trade Center First
Dubai
United Arab Emirates
T +971 4 7050318
info@silentgliss.ae

silentgliss.co.uk
silentglissglobal.com
silentgliss.ae