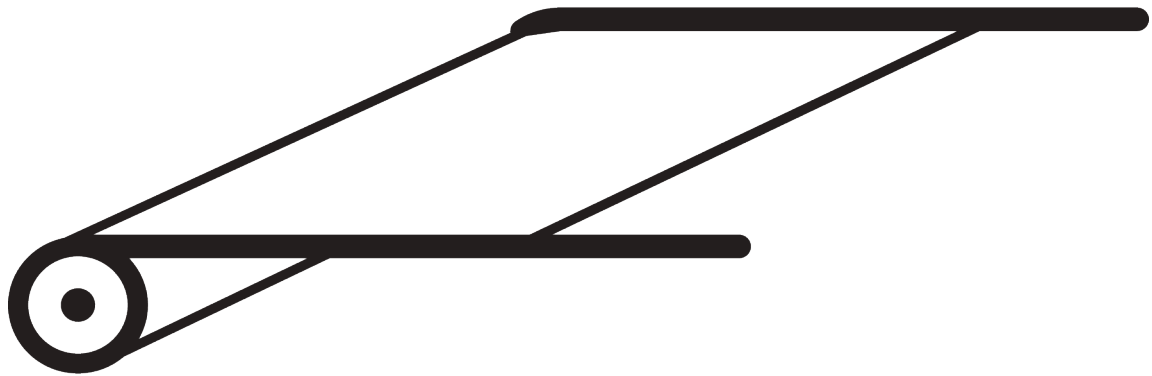


# SKYLIGHT SHADING SYSTEMS



# GENERAL NOTES

## **Dimensions**

- Measurements are in mm except where indicated.
- Max. kg relates to fabric incl. accessories (cross rods, etc.).
- Stack size depends on fabric make-up where applicable.





## **Fitting**

- Installation by qualified fitter only.
- Number of brackets and fitting positions / fixing points vary depending on fitting surface, system weight, fabric make-up, screw / fixing type and obstacles.
- Qualified fitter must use appropriate screws / fixings for each situation.
- Electrical installations must be carried out according to Silent Gliss wiring diagrams and conform to local regulations.
- Check space for cables and plugs!

## **Child Safety**

- All relevant Silent Gliss systems correspond to child safety EN 13120.
- All parties involved must comply with EN 13120.

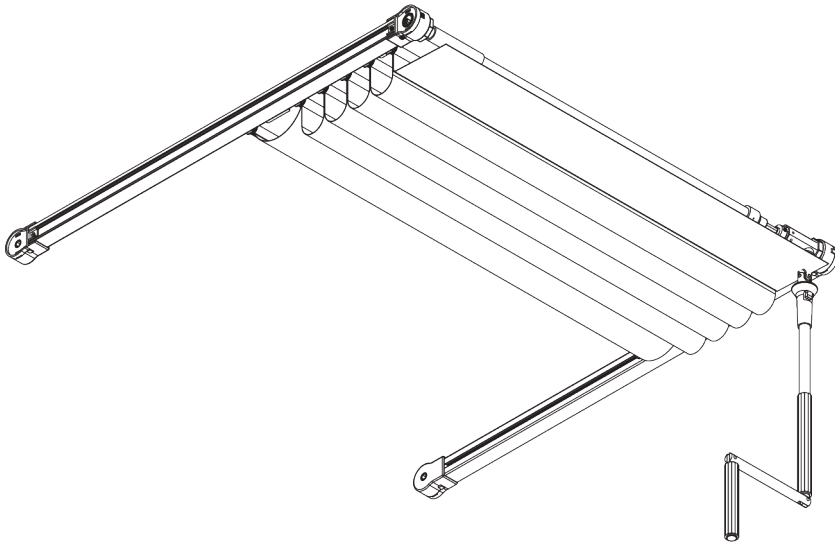
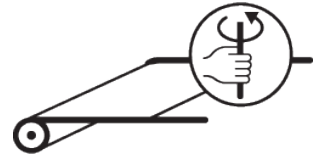
# APPLICATION CHART

<u>PAGE</u>	<u>SYSTEM</u>	<u>OPERATION</u>	<u>DIMENSION</u>	← max. →	↑ max. ↓	kg <sub>max.</sub>
5	<b>SG 2190</b>		S - M	2.5 m	6 m	15 kg
11	<b>SG 2195</b>		S - L	3 m	6 m	25 kg
21	<b>SG 8600</b>		M - L	4 m	6.5 m	
29	<b>SG 8640</b>		S - L	3 m	4.5 m	



# SG 2190

---



## PRODUCT INFORMATION

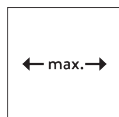
- **Operation:** crank
- **Range:** S - M
- **Fitting:** ceiling, wall
- **Colours:** white RAL 9016 or anodised aluminum, special colours possible
- **Fabrics:** refer to Silent Gliss fabric collection

### **Features:**

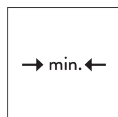
- Bendable
- Sloping
- Two connected systems

# SYSTEM SPECIFICATIONS

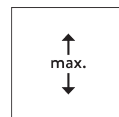
## A. SYSTEM DIMENSIONS



2.5 m



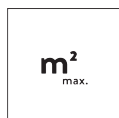
60 cm



6 m



15 kg



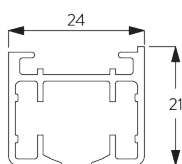
15 m<sup>2</sup>

## Max. system sizes and weights

SG 2190		kg <sub>max.</sub>	A	B	SG 2190		kg <sub>max.</sub>	A	B
		15	1.8 m	6 m			15	2 m	5 m
		15	1.8 m	6 m			15	2 m	5 m
		15	2 m	5 m			15	2 m	5 m
		15	2 m	5 m			15	2 m	4 m
		15	2.5 m	6 m			15	2 m	4 m
		15	3 m	6 m			15	2 m	4 m

## B. PROFILE

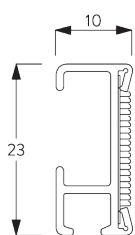
### Profile and bending information



SG 2191

Profile

Radius: >25 cm



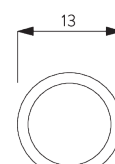
SG 2116

Velcro profile



SG 2156

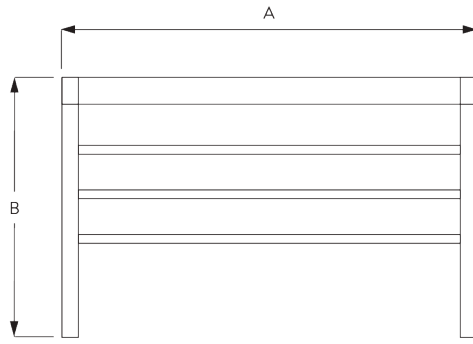
Shaft



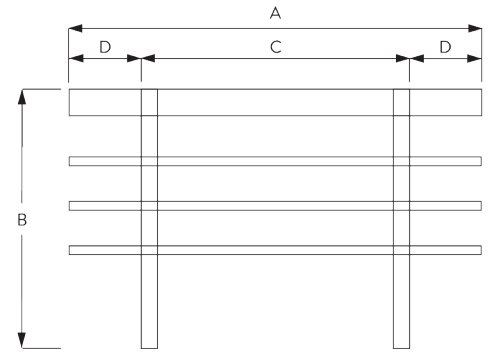
SG 2759

Profile

**C. HOW TO  
MEASURE**



A: System width  
B: System height



A: System width  
B: System height  
C: Base system  
D: Cantilever max. 80 cm

**D. SPECIFICATION  
TEXT**

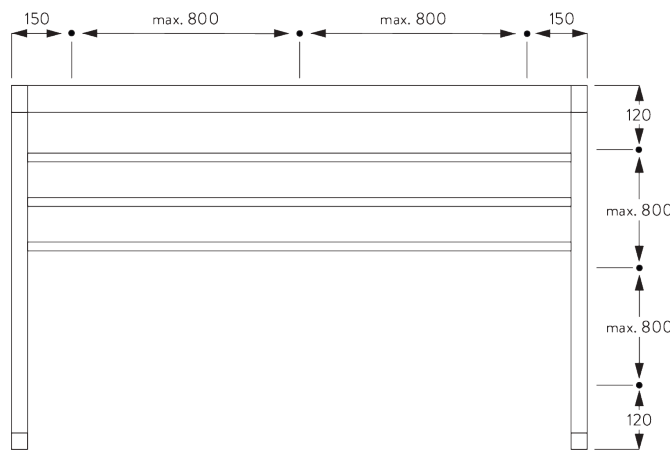
**Silent Gliss SG 2190 Crank Handle Operated Skylight System.** Supplied made to measure and complete comprising drive shaft SG 2156, detachable crank handle SG 2746, hexagonal bar SG 2111, glider SG 2145, heavy duty cross rod SG 2248, cross rod SG 2759, velcro profile SG 2116, connector SG 2242, top fix bracket SG 3603, aluminium side guide profiles SG 2191 in silver / white / black side fixed with SG 3825 clamps at 30cm centres. Optional fixing brackets SG 3065B / SG 3066A / SG3066B. Left- or right-hand operation. Can be single or double system operated from single crank handle. Fabric to be chosen from the Silent Gliss fabric range relevant for this product type.

# FITTING

**A. FITTING  
INFORMATION**

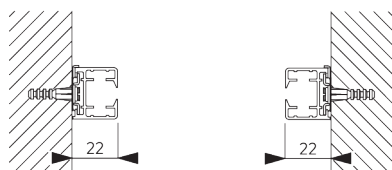
For detailed fitting information, visit the Silent Gliss website.

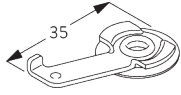
**Fixing points**



**B. INSIDE FITTING**

**Clamp SG 3825**



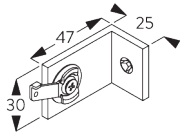
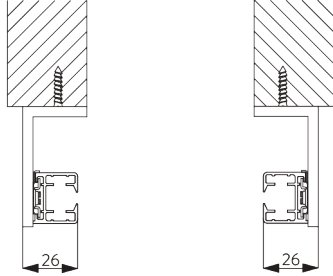


**SG 3825**

*Clamp*

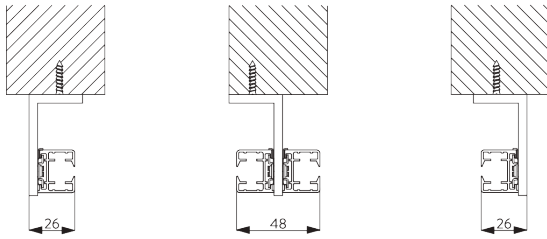
**C. FACE FITTING**

**Bracket SG 3181**

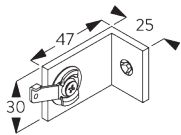


**SG 3181**

*Bracket with 1 clamp*



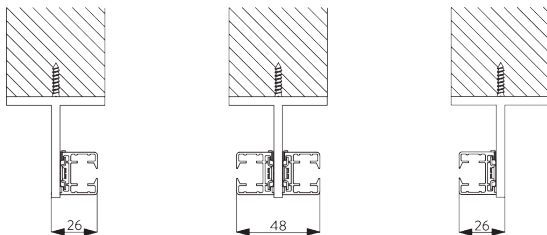
*Double system*



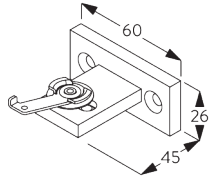
**SG 3181**

*Bracket with 1 clamp*

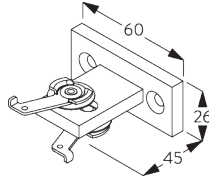
**T-Bracket SG 2138 / SG 2139**







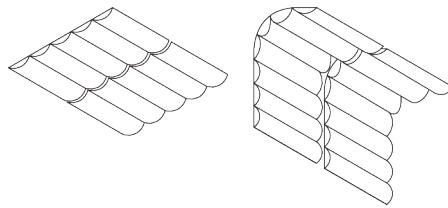
**SG 2138**  
T-bracket 1 clamp



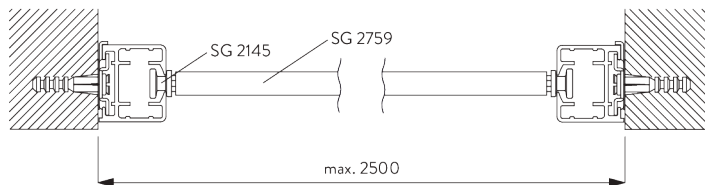
**SG 2139**  
T-bracket 2 clamps

# SYSTEM OPTIONS

## A. TWO CONNECTED SYSTEMS

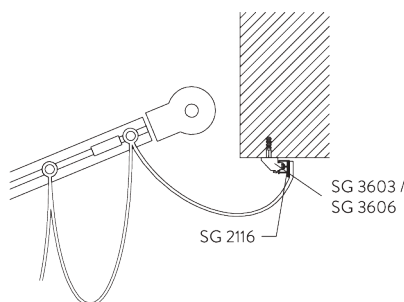


## B. INSTALLATION OPTIONS



- SG 2145: Glider
- SG 2759: Profile

## C. FABRIC FIXING



Fixing of fabric with profile SG 2116

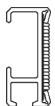
# PARTS

## A. STANDARD PARTS



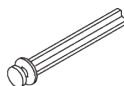
**SG 2111**

Shaft



**SG 2116**

Velcro profile



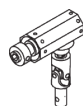
**SG 2145**

Glider



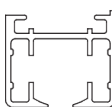
**SG 2156**

Shaft



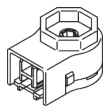
**SG 2189**

Crank drive



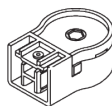
**SG 2191**

Profile



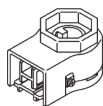
**SG 2192**

Drive



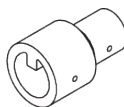
**SG 2193**

Guide return



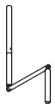
**SG 2230**

Drive



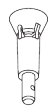
**SG 2244**

Connector



**SG 2747**

Crank handle



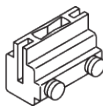
**SG 2754**

Detachable crank hood



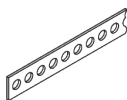
**SG 3825**

Clamp



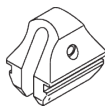
**SG 5005**

Belt connector



**SG 5130**

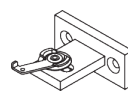
Driving belt



**SG 6086**

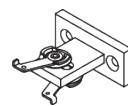
Spring stop

## B. OPTIONAL PARTS



**SG 2138**

T-bracket 1 clamp



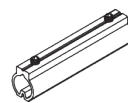
**SG 2139**

T-bracket 2 clamps



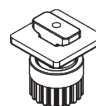
**SG 2176**

Crank drive



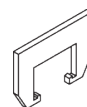
**SG 2242**

Connector



**SG 2255**

Brake



**SG 2613**

Connector



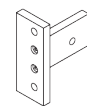
**SG 2742**

Crank joint



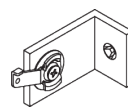
**SG 2745**

Crank handle with joint



**SG 3066**

T-Bracket



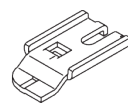
**SG 3181**

Bracket with 1 clamp



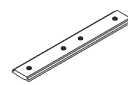
**SG 3606**

Clip



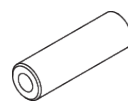
**SG 3832**

Bracket



**SG 5115**

Connection bridge

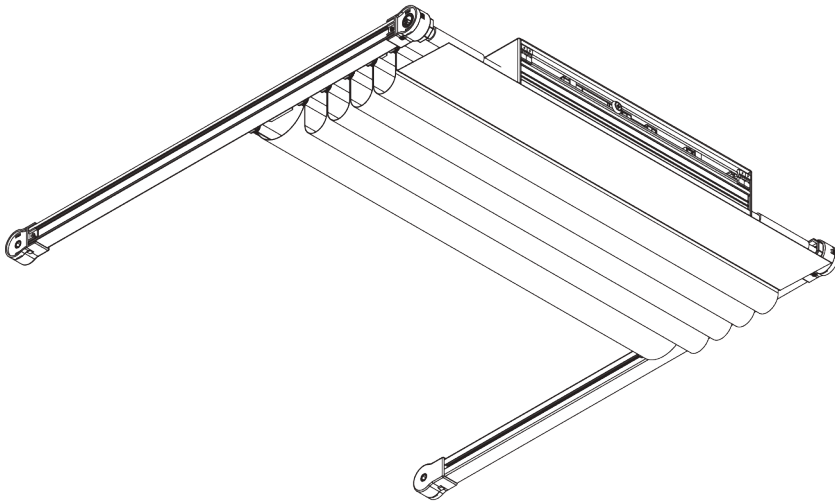
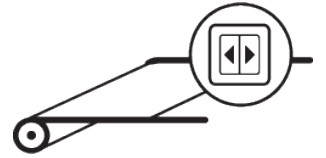


**SG 6796**

Spring pin 4x12 DIN 1481

# SG 2195

---



## PRODUCT INFORMATION

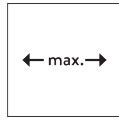
- **Operation:** motorised
- **Range:** S - L
- **Fitting:** ceiling, wall, recess
- **Colours:** white RAL 9016 or anodised aluminum, special colours possible
- **Fabrics:** refer to Silent Gliss fabric collection

### **Features:**

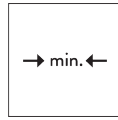
- Bendable
- Sloping
- Three connected systems
- Various control options

# SYSTEM SPECIFICATIONS

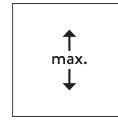
## A. SYSTEM DIMENSIONS



3 m



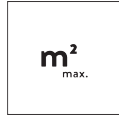
60 cm



6 m



25 kg



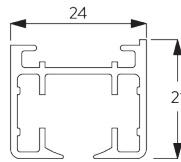
15 m<sup>2</sup>

## Max. system sizes and weights

SG 2195		kg <sub>max.</sub>	A	B	SG 2195		kg <sub>max.</sub>	A	B
		18	3 m	6 m			18	3 m	6 m
		18	6 m	6 m			18	6 m	6 m
		18	6 m	5 m			18	6 m	6 m
		25	3 m	6 m			18	3 m	6 m
		25	6 m	6 m			18	6 m	5 m
		25	6 m	6 m			18	6 m	5 m
		25	3 m	6 m			10	3 m	4 m
		25	6 m	6 m			10	6 m	4 m
		25	6 m	6 m			10	6 m	3 m

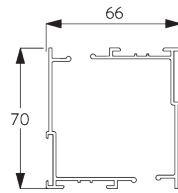
## B. PROFILE

### Profile and bending information



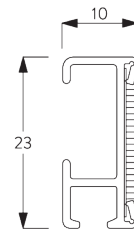
**SG 2191**

Profile



**SG 2151**

Profile



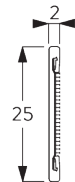
**SG 2116**

Velcro profile



**SG 2156**

Shaft



**SG 2510**

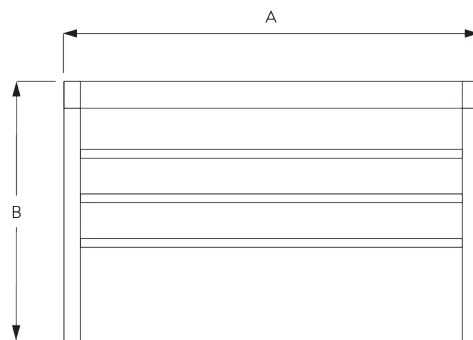
Velcro profile



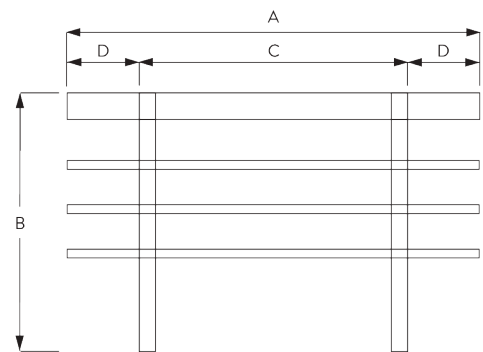
**SG 2759**

Profile

## C. HOW TO MEASURE



A: System width  
B: System height



A: System width  
B: System height  
C: Base system  
D: Cantilever max. 80 cm

## D. SPECIFICATION TEXT

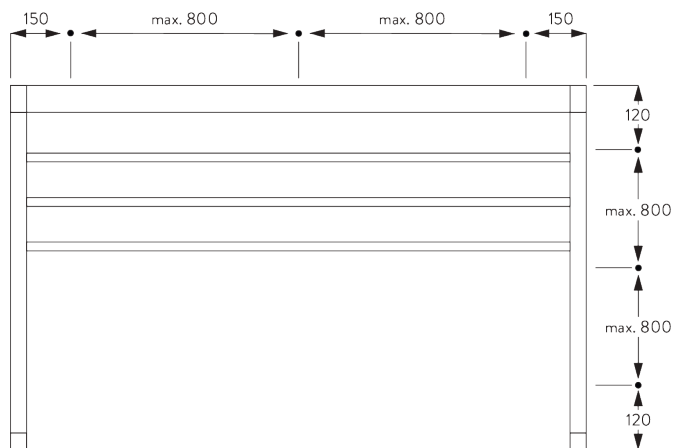
**Silent Gliss SG 2195 Electrically Operated Skylight System.** Supplied made to measure and complete comprising aluminium headbox SG 2151 with enclosed motor SG 2160 complete with drive shaft SG 2156, clamps SG 3004, aluminium side guide profiles SG 2191 in silver / white / black side fixed with SG 3825 clamps at 30cm centres, glider SG 2145, heavy duty cross rod SG 2248, cross rod SG 2759, velcro profile SG 2116, connector SG 2242, top fix bracket SG 3603, optional fixing brackets SG 3065B / SG 3066A / SG3066B. Can be single, double or triple operation from one motor controlled by fixed switch / third party control system subject to suitable interface by others party / SG Control L / SG Control R radio control systems via external receiver. All radio control components supplied at additional cost. All wiring to be strictly in accordance with Silent Gliss wiring diagrams. Fabric to be chosen from the Silent Gliss fabric range relevant to this product group.

# FITTING

## A. FITTING INFORMATION

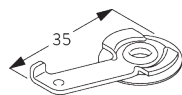
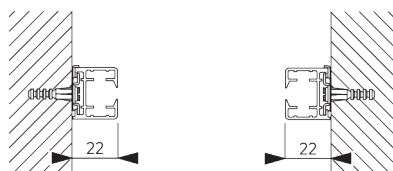
For detailed fitting information, visit the [Silent Gliss website](#).

### Fixing points



## B. INSIDE FITTING

### Clamp SG 3825

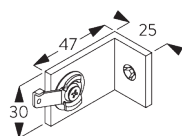
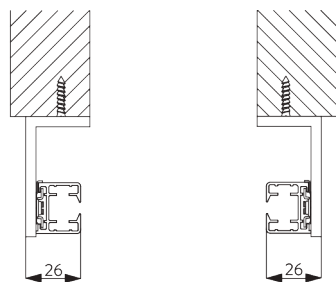


**SG 3825**

Clamp

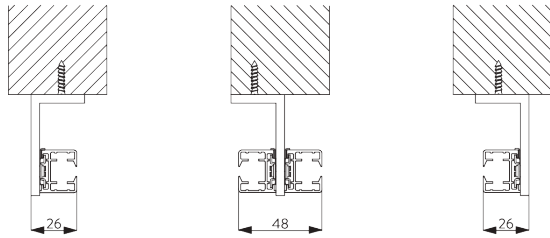
## C. FACE FITTING

### Bracket SG 3181

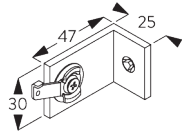


**SG 3181**

Bracket with 1 clamp



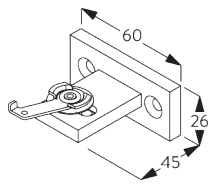
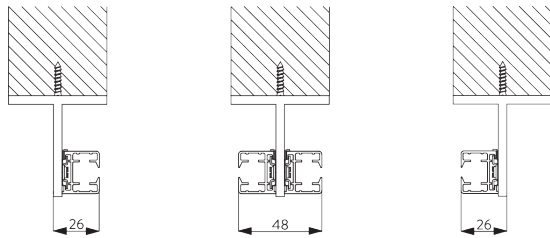
Double system



SG 3181

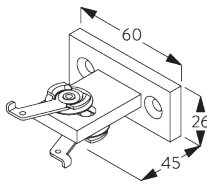
Bracket with 1 clamp

T-Bracket SG 2138 /  
SG 2139



SG 2138

T-bracket 1 clamp

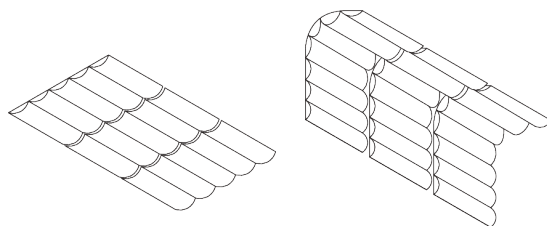


SG 2139

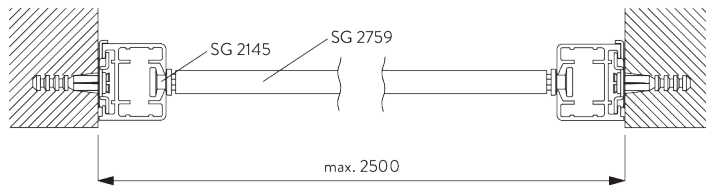
T-bracket 2 clamps

# SYSTEM OPTIONS

## A. THREE CONNECTED SYSTEMS

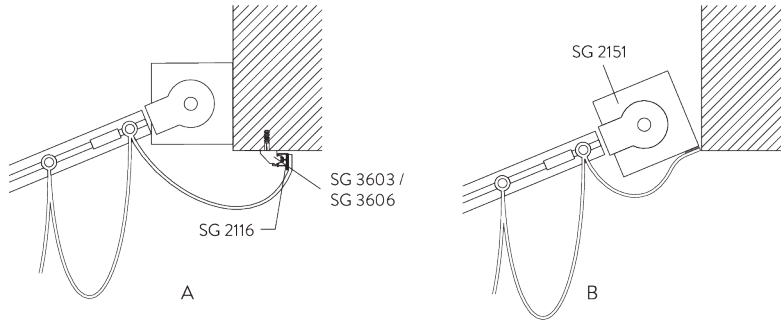


## B. INSTALLATION OPTIONS



- SG 2145: Glider
- SG 2759: Profile

## C. FABRIC FIXING



- A: Fixing of fabric with profile SG 2116 (standard)  
 B: Fixing of fabric directly on headrail cassette

# MOTOR & CONTROLS

## A. MOTOR FEATURES

Motors	SG 2160	SG 11328
<b>Motor Features</b>		
Mechanical end-stop	●	●
Mechanical revolution counter (limited revolution)	●	●
Noiseless stop	●	●
IP class	IP 44	IP 44
<b>Control Features</b>		
Mains power control	●	●
SG Control L (external receiver required)	●	●
SG Control R (external receiver required)	●	●
Suitable for most major home automation systems (with suitable interface)	●	●

## B. MOTOR SPECIFICATIONS

Motors	Voltage	Current	Frequency	Speed
SG 2160	230 V AC	0.5 A	50 Hz	26 rpm
SG 11328	120 V AC	1.3 A	60 Hz	30 rpm



**C. OPERATING  
METHODS**

See catalogue "controls" for details.

Wall Switch



System can be operated by fixed wall switch.

SG Control L



Various radio hand-held and wall transmitters available.  
An external receiver is required.



Silent Gliss Move App.

SG Control R



Various radio hand-held and wall transmitters available.  
An external receiver is required.

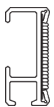
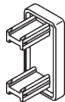
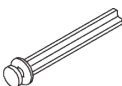
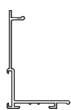
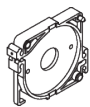
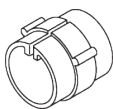


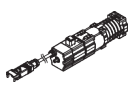
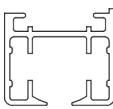
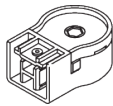
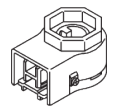
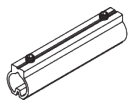
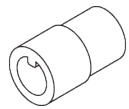
**D. WIRING  
DIAGRAMS**

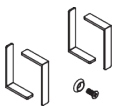

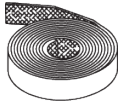
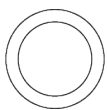

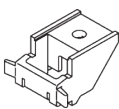
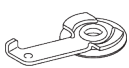
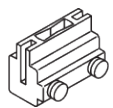
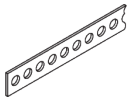
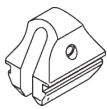
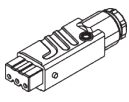


Refer to Silent Gliss website.

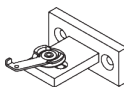
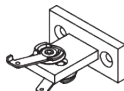
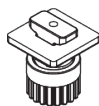

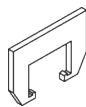
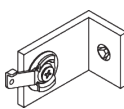

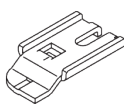
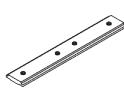

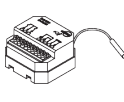
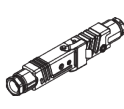
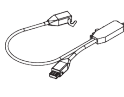
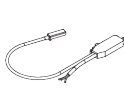
# PARTS

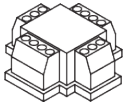
## A. STANDARD PARTS

	<b>SG 2116</b> Velcro profile
	<b>SG 2131</b> End cover
	<b>SG 2145</b> Glider
	<b>SG 2151</b> Profile
	<b>SG 2152</b> Bearing shell
	<b>SG 2153</b> Pulley
	<b>SG 2154</b> End cover
	<b>SG 2156</b> Shaft
	<b>SG 2160</b> Motor 230V AC, JA 06/26 soft
	<b>SG 2191</b> Profile
	<b>SG 2193</b> Guide return
	<b>SG 2230</b> Drive
	<b>SG 2242</b> Connector
	<b>SG 2245</b> Shaft connector

	<b>SG 2247</b> Set Elero 230V
	<b>SG 2248</b> Profile
	<b>SG 2539</b> Tape
	<b>SG 2759</b> Profile
	<b>SG 3004</b> Clamp
	<b>SG 3603</b> Bracket
	<b>SG 3825</b> Clamp
	<b>SG 5005</b> Belt connector
	<b>SG 5130</b> Driving belt
	<b>SG 6086</b> Spring stop
	<b>SG 9917</b> Hirschmann portable socket-outlet STAK 3 N

## B. OPTIONAL PARTS

	<b>SG 2138</b> T-bracket 1 clamp
	<b>SG 2139</b> T-bracket 2 clamps
	<b>SG 2255</b> Brake
	<b>SG 2510</b> Velcro profile
	<b>SG 2613</b> Connector
	<b>SG 3181</b> Bracket with 1 clamp
	<b>SG 3606</b> Clip
	<b>SG 3832</b> Bracket
	<b>SG 5115</b> Connection bridge
	<b>SG 5736</b> Relay socket
	<b>SG 9068</b> Radio receiver Revio
	<b>SG 9916</b> Hirschmann plug set
	<b>SG 9944</b> Radio receiver 1 channel
	<b>SG 9945</b> Radio receiver 1 channel



---

**SG 9959**

Central control unit relay

---



---

**SG 10300**

Radio hand held 1 channel

---



---

**SG 10302**

Radio hand held 5+1 channel

---



---

**SG 10303**

Radio hand held 10+2+1 channel

---

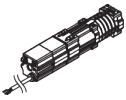


---

**SG 10804**

Radio hand held 15+5+1 channel

---



---

**SG 11328**

Motor 120V AC, JA 08/30 soft, UL

---



---

**SG 11480**

Radio wall transmitter 1 channel

---



---

**SG 11490**

Radio wall transmitter 5+1 channel

---



---

**SG 20336**

Hand held transmitter 8 channel

---



---

**SG 20913**

Wall switch single channel

---

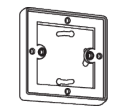


---

**SG 20914**

Wall switch 8 channel

---

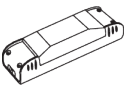


---

**SG 20917**

Pattress box

---



---

**SG 20919**

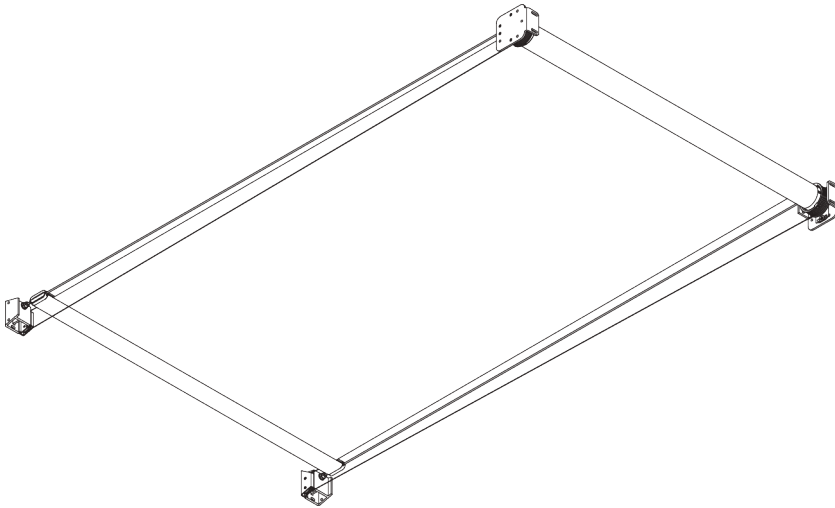
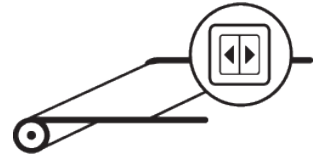
Control module motor type R

---



# SG 8600

---



## PRODUCT INFORMATION

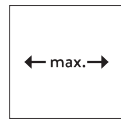
- **Operation:** motorised
- **Range:** M - L
- **Fitting:** ceiling, wall
- **Colours:** white RAL 9016; special colours or anodised aluminum possible
- **Fabrics:** refer to Silent Gliss fabric collection

### **Features:**

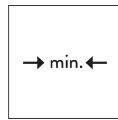
- Tensioned roller blind
- Various control options
- Any angle

# SYSTEM SPECIFICATIONS

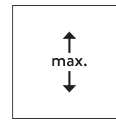
## A. SYSTEM DIMENSIONS



4 m



M: 87 cm  
L: 108 cm



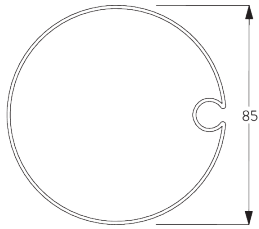
M: 3 m  
L: 6.5 m



18 m<sup>2</sup>

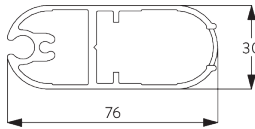
## B. PROFILE

### Profile information



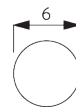
**SG 8601**

Tube ø 85 mm



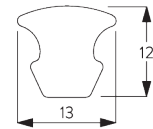
**SG 8602**

Bottom bar



**SG 8618**

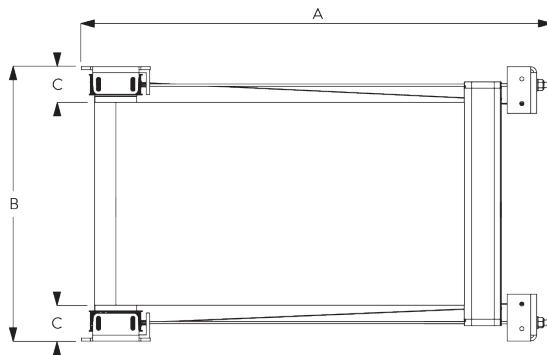
Fabric rod ø 6 mm



**SG 8626**

Cover strip

## C. HOW TO MEASURE



A: System length

B: System width

C: Light gap: 75 mm

Pulling force per bracket: approx. 100 kg

## D. SPECIFICATION TEXT

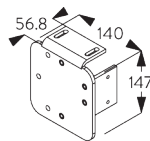
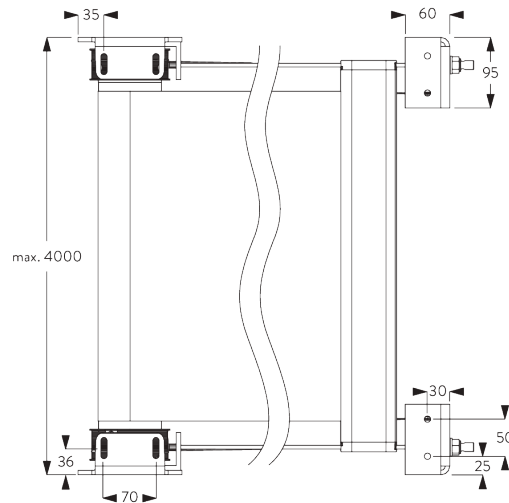
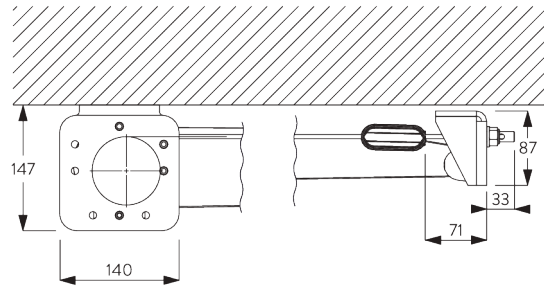
**Silent Gliss SG 8600 Electrically Operated Tensioned Roller Blind System.** Supplied made to measure and complete comprising (key components) aluminium barrel SG 8601, motor SG 8605, tension wire SG 8619, spring set SG 8603 / SG 8605, hem bar profile SG 8602, ceiling fit brackets set SG 8606-8607-8608-8609 / wall fit bracket set SG 8611-8612-8613. Can be controlled by fixed switch / third party control system subject to suitable interface by others / SG Control L / SG Control R radio control systems via external receiver. All radio control components supplied at additional cost. All wiring to be strictly in accordance with Silent Gliss wiring diagrams. Fabric to be chosen from the Silent Gliss fabric range, Price Group 1 / price group 2.

# FITTING

## A. FITTING INFORMATION

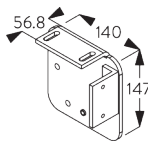
For detailed fitting information, visit the Silent Gliss website.

## B. CEILING FITTING



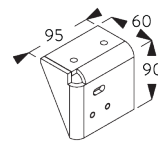
**SG 8606**

Roller bracket ceiling left



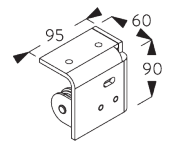
**SG 8607**

Roller bracket ceiling right



**SG 8608**

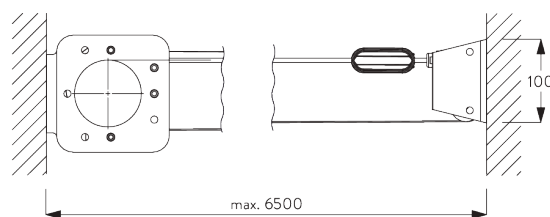
Pulley bracket ceiling left

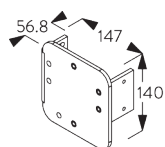
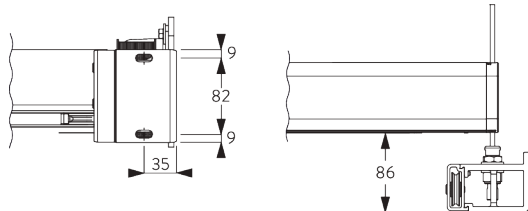


**SG 8609**

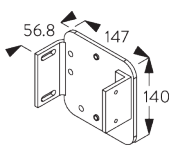
Pulley bracket ceiling right

## C. WALL FITTING

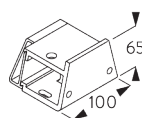




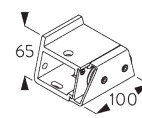
**SG 8611**  
Roller bracket wall left



**SG 8612**  
Roller bracket wall right



**SG 8621**  
Pulley bracket side/back left



**SG 8622**  
Pulley bracket side/back right

# MOTORS & CONTROLS

## A. MOTOR FEATURES

Motors	SG 8605	SG 8627
<b>Motor Features</b>		
Mechanical end-stop	●	●
Mechanical revolution counter (limited revolution)	●	●
IP class	IP 44	IP 44
<b>Control Features</b>		
Mains power control	●	●
SG Control L (external receiver required)	●	●
SG Control R (external receiver required)	●	●
Suitable for most major home automation systems (with suitable interface)	●	●

## B. MOTOR SPECIFICATIONS

Motors	Voltage	Current	Frequency	Speed
SG 8605	230 V AC	0.65 A	50 Hz	17 rpm
SG 8627	120 V AC	1.1 A	60 Hz	18 rpm

## C. OPERATING METHODS

See catalogue "controls" for details.

Wall Switch



System can be operated by fixed wall switch.



**SG Control L**



*Various radio hand-held and wall transmitters available.  
An external receiver is required.*



*Silent Gliss Move App.*

**SG Control R**



*Various radio hand-held and wall transmitters available.  
An external receiver is required.*

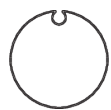
**D. WIRING**  
**DIAGRAMS**



*Refer to Silent Gliss website.*

# PARTS

## A. STANDARD PARTS



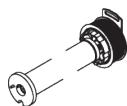
**SG 8601**

Tube ø 85 mm



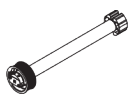
**SG 8602**

Bottom bar



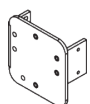
**SG 8604**

Spring long



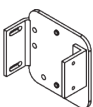
**SG 8605**

Motor 230V AC, 17/15



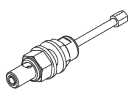
**SG 8611**

Roller bracket wall left



**SG 8612**

Roller bracket wall right



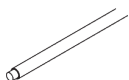
**SG 8616**

Wire guide set



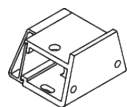
**SG 8618**

Fabric rod ø 6 mm



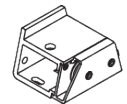
**SG 8619**

Tension wire ø 1.5 mm



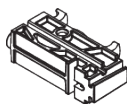
**SG 8621**

Pulley bracket side/back left



**SG 8622**

Pulley bracket side/back right



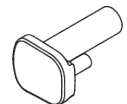
**SG 8623**

Bottom bar pulley



**SG 8624**

End cover



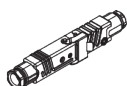
**SG 8625**

Fabric spacer



**SG 8626**

Cover strip



**SG 9916**

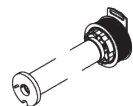
Hirschmann plug set

## B. OPTIONAL PARTS



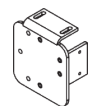
**SG 5736**

Relay socket



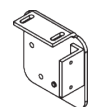
**SG 8603**

Spring short



**SG 8606**

Roller bracket ceiling left



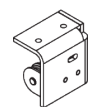
**SG 8607**

Roller bracket ceiling right



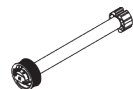
**SG 8608**

Pulley bracket ceiling left



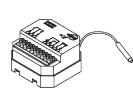
**SG 8609**

Pulley bracket ceiling right



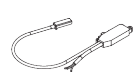
**SG 8627**

Motor 120V AC, 18/15



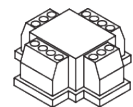
**SG 9068**

Radio receiver Revio



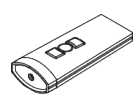
**SG 9945**

Radio receiver 1 channel



**SG 9959**

Central control unit relay



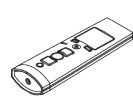
**SG 10300**

Radio hand held 1 channel



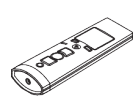
**SG 10302**

Radio hand held 5+1 channel



**SG 10303**

Radio hand held 10+2+1 channel



**SG 10804**

Radio hand held 15+5+1 channel



---

**SG 11480**

*Radio wall transmitter 1 channel*

---



---

**SG 11490**

*Radio wall transmitter 5+1 channel*

---



---

**SG 20336**

*Hand held transmitter 8 channel*

---



---

**SG 20913**

*Wall switch single channel*

---

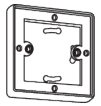


---

**SG 20914**

*Wall switch 8 channel*

---

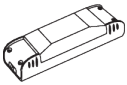


---

**SG 20917**

*Pattress box*

---



---

**SG 20919**

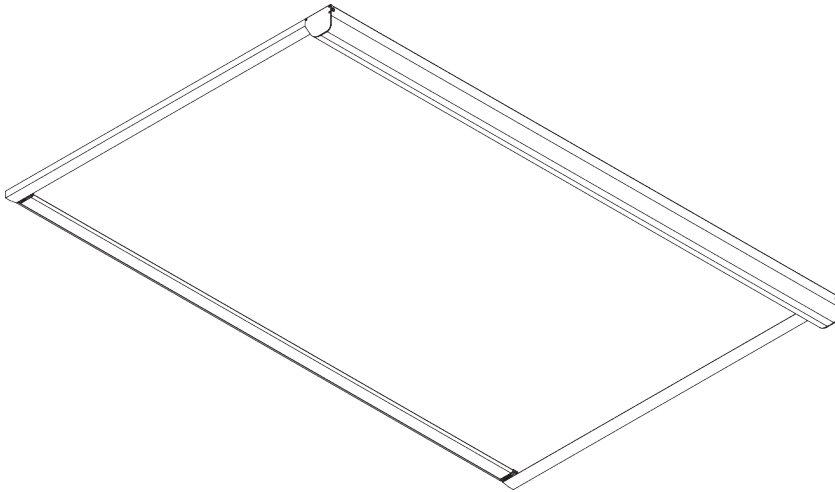
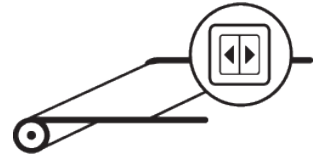
*Control module motor type R*

---



# SG 8640

---



## PRODUCT INFORMATION

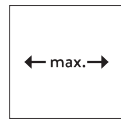
- **Operation:** motorised
- **Range:** S - L
- **Fitting:** ceiling, wall, recess
- **Colours:** white RAL 9016, special colours possible
- **Fabrics:** refer to Silent Gliss fabric collection

### **Features:**

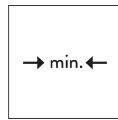
- Tensioned roller blind
- Various control options
- Any angle
- Fabric zip technology
- Dim Out with appropriate fabric selection

# SYSTEM SPECIFICATIONS

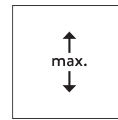
## A. SYSTEM DIMENSIONS



3 m



65 cm



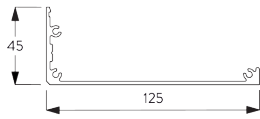
Headbox S / M: 3 m  
Headbox L: 4.5 m



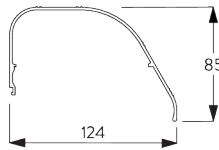
Headbox S / M: 9 m<sup>2</sup>  
Headbox L:  
13 m<sup>2</sup> / 11 m<sup>2</sup>

## B. PROFILE

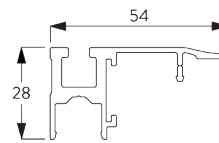
### Profile information



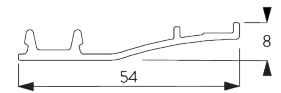
**SG 8641**  
Box case S/M 105x125 mm



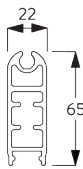
**SG 8642**  
Box cover S/M 105x125 mm



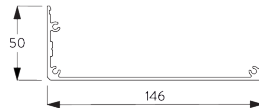
**SG 8643**  
Side guide case inside fitting



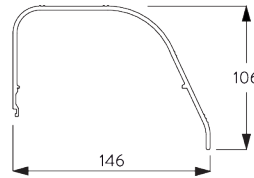
**SG 8644**  
Side guide cover



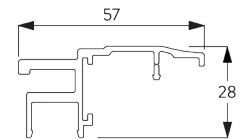
**SG 8645**  
Bottom bar



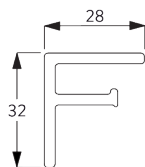
**SG 8661**  
Box case L 126x146 mm



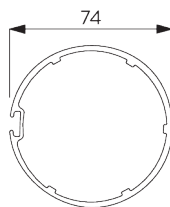
**SG 8662**  
Box cover L 126x146 mm



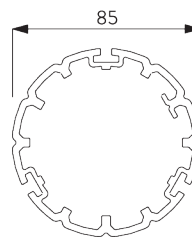
**SG 8663**  
Side guide case inside fitting



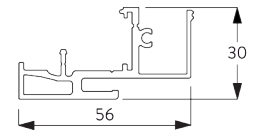
**SG 8664**  
Side guide profile inside fitting



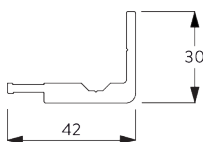
**SG 8665**  
Tube ø 74 mm



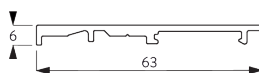
**SG 8666**  
Tube L ø 85 mm



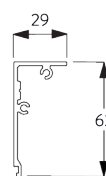
**SG 8672**  
Side guide case



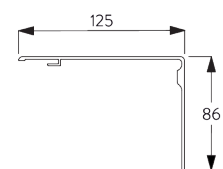
**SG 8673**  
Concealed side guide profile



**SG 8674**  
Concealed side guide cover

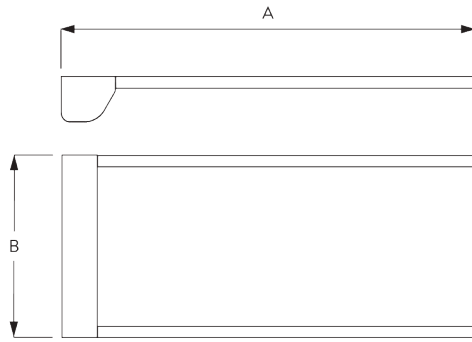


**SG 8677**  
Concealed box cover 105x125 mm



**SG 8678**  
Concealed box cover lid 105x125 mm

**C. HOW TO  
MEASURE**



A: System length  
B: System width

**D. SPECIFICATION  
TEXT**

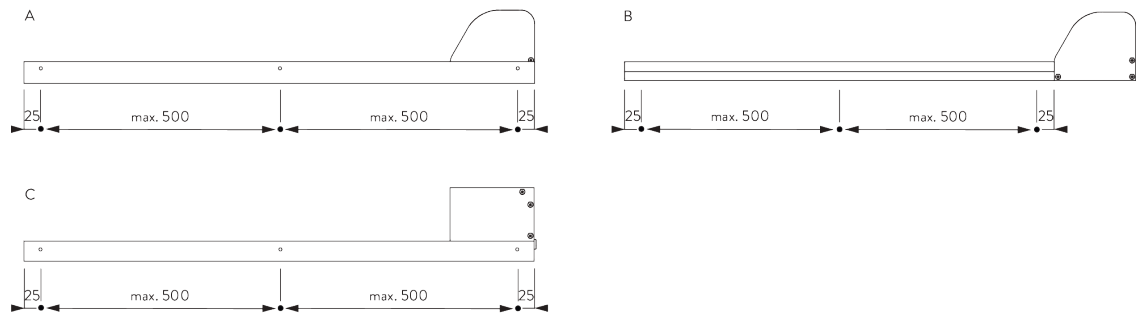
**Silent Gliss SG 8640 Electrically Operated Tensioned Dimout / Solar Screening Roller Blind System.** Supplied made to measure and complete comprising (key components) motor SG 8657 / SG 8658, zip profile SG 8659 - System S/M - box cover SG 8642, box case SG 8641, aluminium tube SG 8665 / System L - box cover SG 8662, box case SG 8661, aluminium tube SG 8666. Inside fix - side guide case SG 8663, side guide profile SG 8664. Face fix - side guide case SG 8643, side guide cover SG 8644. Concealed recess fix option with box covers SG 8677, SG 8678 side guide case SG 8672, side guide profile SG 8673 and side guide cover SG 8674. Controlled via fixed switch / third party control system subject to suitable interface by others / SG Control L / SG Control R with external receiver. All radio control components supplied at additional cost. All wiring to be strictly in accordance with Silent Gliss wiring diagrams. Fabric to be chosen from the Silent Gliss fabric range, Price Group 1 / price group 2.

# FITTING

**A. FITTING  
INFORMATION**

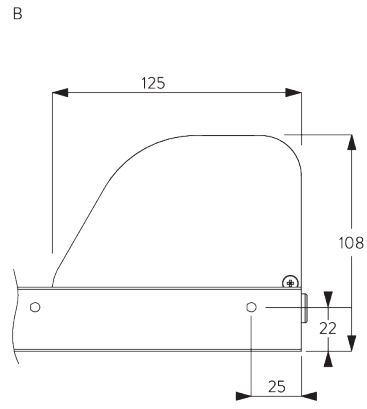
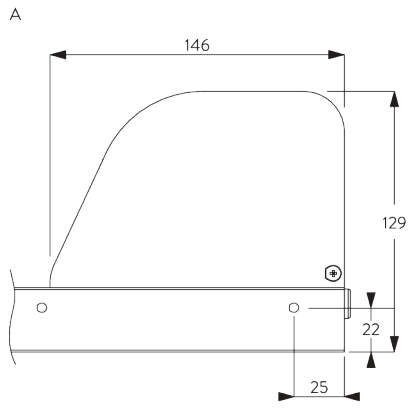
For detailed fitting information, visit the Silent Gliss website.

**Fixing points**



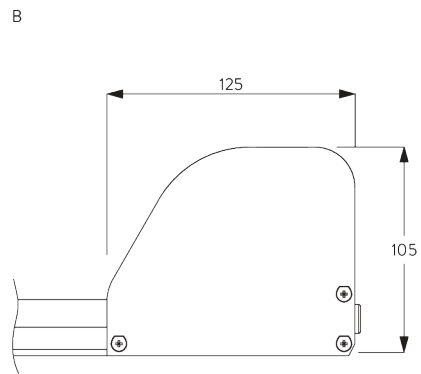
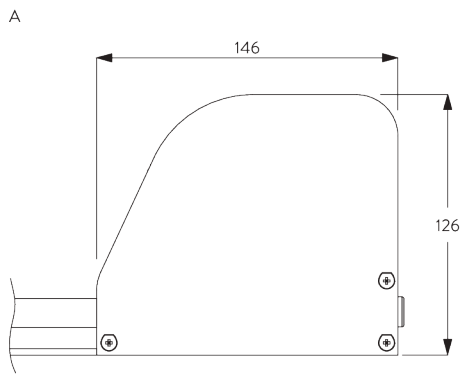
A: Inside recess fitting  
B: Face fitting  
C: Concealed recess fitting

# Headbox dimensions



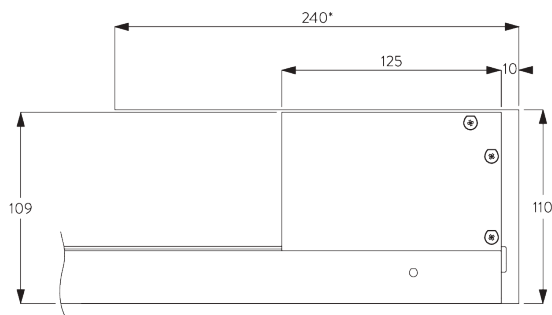
*Inside recess fitting*

A: Headbox L  
B: Headbox S / M



*Face fitting*

A: Headbox L  
B: Headbox S / M

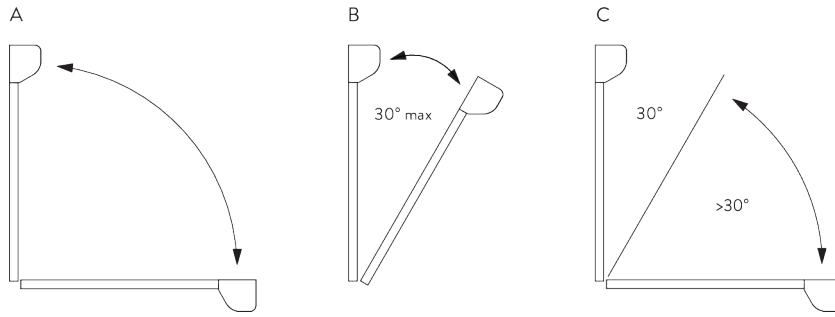


*Concealed recess fitting*  
*Concealed recess headbox*

*\*recess depth required to fully conceal hem bar when retracted!*



## Fitting angles



**A: Headbox S / M:**

3 m wide x 3 m draw / 9 m<sup>2</sup> any angle

**B: Headbox L:**

3 m wide x 4.5 m draw /

13 m<sup>2</sup> no greater than 30° from vertical

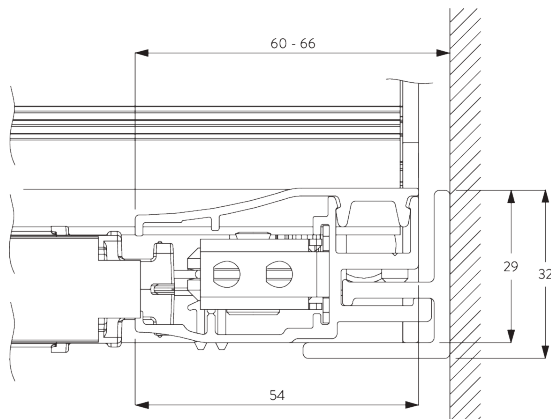
**C: Headbox L:**

Max. 2.5 m wide x 4.5 m draw /

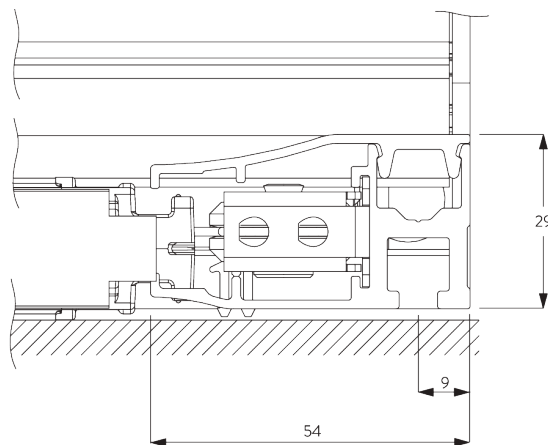
11 m<sup>2</sup> greater than 30° from vertical

Concealed recess option max. 3 m wide x 3 m draw any angle.

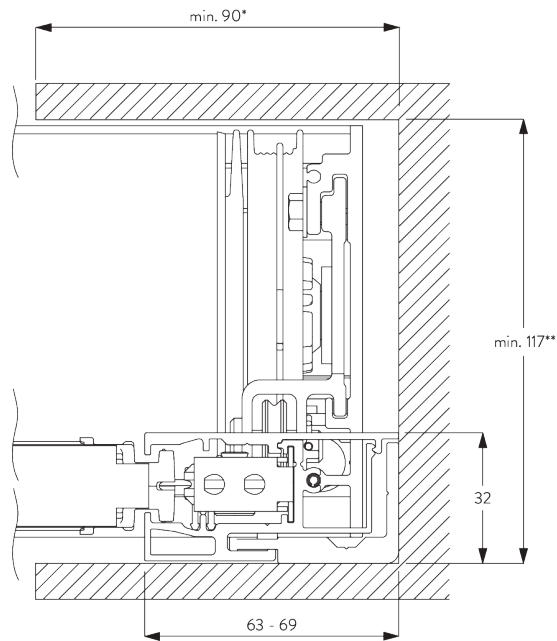
## B. INSIDE RECESS FITTING



## C. FACE FITTING



**D. CONCEALED  
RECESS FITTING**



\*recess depth required to fully conceal hem bar end caps  
\*\*min. 125 mm if head box lid is used

# MOTOR & CONTROLS

**A. MOTOR  
FEATURES**

Motor	SG 8657 / SG 8658
<b>Motor Features</b>	
Soft start / stop	●
Electronic end-stop	●
Electronic revolution counter (unlimited revolution)	●
Cable connectable with plug into motor	●
IP class	IP 30
<b>Control Features</b>	
Mains power control	●
SG Control L (external receiver required)	●
SG Control R (external receiver required)	●
Suitable for most major home automation systems (with suitable interface)	●

**B. MOTOR  
SPECIFICATIONS**

Motor	Voltage	Current	Frequency	Speed
SG 8657 / SG 8658	100-240 V AC	0.8 A	50 / 60 Hz	12 rpm

**C. OPERATING  
METHODS**

See catalogue "controls" for details.

Wall Switch



System can be operated by fixed wall switch.

SG Control L



Various radio hand-held and wall transmitters available.  
An external receiver is required.



Silent Gliss Move App.

SG Control R



Various radio hand-held and wall transmitters available.  
An external receiver is required.

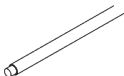


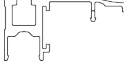




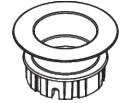
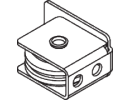


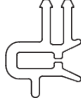

**D. WIRING  
DIAGRAMS**



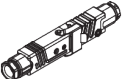


Refer to the Silent Gliss website.



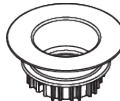


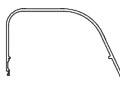


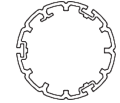

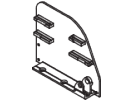
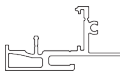


# PARTS

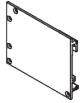

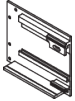

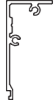
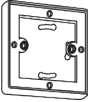

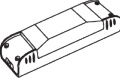
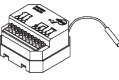




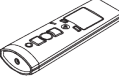




## A. STANDARD PARTS

	<b>SG 8619</b> Tension wire $\varnothing$ 1.5 mm
	<b>SG 8641</b> Box case S/M 105x125 mm
	<b>SG 8642</b> Box cover S/M 105x125 mm
	<b>SG 8643</b> Side guide case inside fitting
	<b>SG 8644</b> Side guide cover
	<b>SG 8645</b> Bottom bar
	<b>SG 8646</b> Cable spool left
	<b>SG 8647</b> Cable spool right
	<b>SG 8648</b> Tube adapter
	<b>SG 8649</b> Pulley
	<b>SG 8656</b> Spring
	<b>SG 8657</b> Motor kit
	<b>SG 8659</b> Zip profile
	<b>SG 8665</b> Tube $\varnothing$ 74 mm

	<b>SG 8667</b> End cover left S/M 105x125 mm
	<b>SG 8668</b> End cover right S/M 105x125 mm
	<b>SG 9916</b> Hirschmann plug set

## B. OPTIONAL PARTS

	<b>SG 8651</b> Cable spool left L
	<b>SG 8652</b> Cable spool right L
	<b>SG 8653</b> Tube adapter L
	<b>SG 8658</b> Motor kit L
	<b>SG 8661</b> Box case L 126x146 mm
	<b>SG 8662</b> Box cover L 126x146 mm
	<b>SG 8663</b> Side guide case inside fitting
	<b>SG 8664</b> Side guide profile inside fitting
	<b>SG 8666</b> Tube L $\varnothing$ 85 mm
	<b>SG 8669</b> End cover left L 126x146 mm
	<b>SG 8671</b> End cover right L 126x146 mm
	<b>SG 8672</b> Side guide case
	<b>SG 8673</b> Concealed side guide profile
	<b>SG 8674</b> Concealed side guide cover

	<b>SG 8675</b> Concealed end cover left 105x125 mm		<b>SG 20913</b> Wall switch single channel
	<b>SG 8676</b> Concealed end cover right 105x125 mm		<b>SG 20914</b> Wall switch 8 channel
	<b>SG 8677</b> Concealed box cover 105x125 mm		<b>SG 20917</b> Pattress box
	<b>SG 8678</b> Concealed box cover lid 105x125 mm		<b>SG 20919</b> Control module motor type R
	<b>SG 9068</b> Radio receiver Revio		
	<b>SG 9945</b> Radio receiver 1 channel		
	<b>SG 9959</b> Central control unit relay		
	<b>SG 10300</b> Radio hand held 1 channel		
	<b>SG 10302</b> Radio hand held 5+1 channel		
	<b>SG 10303</b> Radio hand held 10+2+1 channel		
	<b>SG 10804</b> Radio hand held 15+5+1 channel		
	<b>SG 11480</b> Radio wall transmitter 1 channel		
	<b>SG 11490</b> Radio wall transmitter 5+1 channel		
	<b>SG 20336</b> Hand held transmitter 8 channel		





## ***The Architects of Silence***

***Silent Gliss is the leading global supplier of premium interior window treatments. Since 1952 we have been tirelessly committed to the development of the world's smoothest, quietest systems using state of the art technology.***

*Driven by customer needs, Silent Gliss offers functional and durable products. Expert technical advice coupled with installation and support services complete the offer. Silent Gliss stands for innovative, sustainable, tailor made solutions, exceptional design and first-class quality.*

### **Silent Gliss Ltd.**

Pyramid Business Park  
Poorhole Lane, Broadstairs  
Kent CT10 2PT  
United Kingdom  
**T** +44 1843 863571  
**F** +44 1843 864503  
info@silentgliss.co.uk

### **Silent Gliss Global Ltd.**

Pyramid Business Park  
Poorhole Lane, Broadstairs  
Kent CT10 2PT  
United Kingdom  
**T** +44 1843 874250  
**F** +44 1843 864503  
info@silentglissglobal.com

### **Silent Gliss Blinds Trading LLC**

Office 1906  
The H Hotel Complex  
Trade Center First  
Dubai  
United Arab Emirates  
**T** +971 4 7050318  
info@silentgliss.ae

**silentgliss.co.uk**  
**silentglissglobal.com**  
**silentgliss.ae**