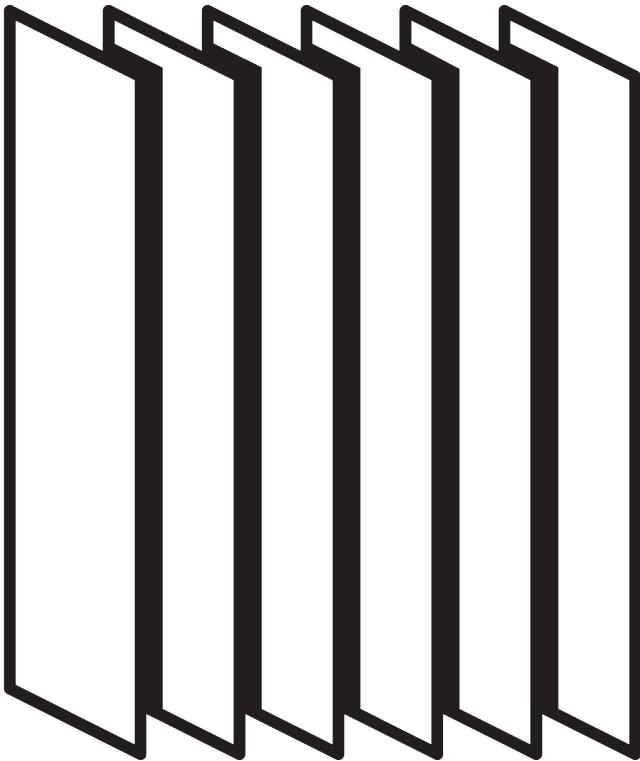


VERTICAL BLIND SYSTEMS



GENERAL NOTES

Dimensions

- Measurements are in mm except where indicated.
- Max. kg relates to fabric incl. accessories (bottom bars, etc.).
- Recommended distance floor / fabric: 20 mm.
- In order to determine system height (B), the smallest room height must be taken into account.




Fitting

- Installation by qualified fitter only.
- Number of brackets and fitting positions / fixing points vary depending on fitting surface, system weight, fabric make-up, screw / fixing type and obstacles.
- Qualified fitter must use appropriate screws / fixings for each situation.
- Profile lip if applicable to be installed to room side.
- Electrical installations must be carried out according to Silent Gliss wiring diagrams and conform to local regulations.
- Check space for cables and plugs!

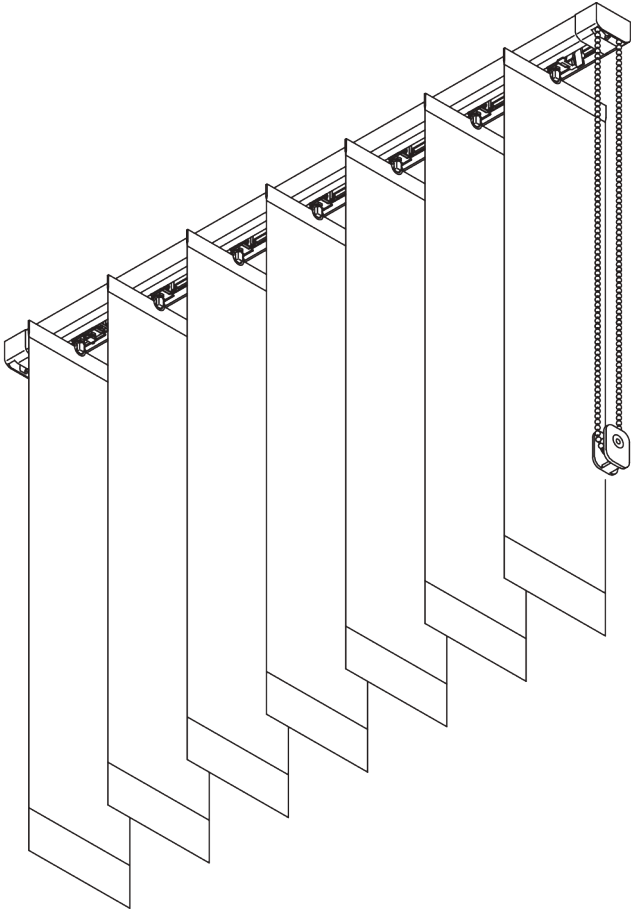
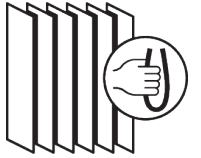
Child Safety

- All relevant Silent Gliss systems correspond to child safety EN 13120.
- All parties involved must comply with EN 13120.

APPLICATION CHART

| <u>PAGE</u> | <u>SYSTEM</u> | <u>OPERATION</u> | <u>DIMENSION</u> | ← max. → | ↑ max. ↓ | kg _{max.} |
|-------------|----------------|---|------------------|----------|----------|--------------------|
| 5 | SG 2810 |  | S - M | 5 m | 4 m | 0.2 kg |
| 15 | SG 2900 |  | S - L | 6 m | 4 m | 0.6 kg |
| 23 | SG 2950 |  | S - L | 6 m | 4 m | 0.6 kg |

SG 2810



PRODUCT INFORMATION

- **Operation:** chain
- **Range:** S - M
- **Fitting:** ceiling, wall, recess
- **Colours:** white RAL 9016 or anodised aluminum, special colours possible
- **Fabrics:** refer to Silent Gliss fabric collection

Features:

- Optimised light control
- Mono controlled
- Pull override protection
- Louvre width: 127 mm (standard), 89 mm
- Vertical Waves
- Bendable

SYSTEM SPECIFICATIONS

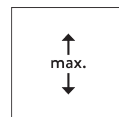
A. SYSTEM DIMENSIONS



127 mm louvres: 5 m
89 mm louvres: 3.8 m



40 cm



4 m



200 g per louvre

Max. system widths

| | 127 mm 89 mm | 5 m 3.8 m |
|--|-----------------|--------------|
| | 127 mm 89 mm | 4 m 3.1 m |
| | 127 mm 89 mm | 4 m 3.1 m |

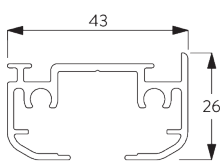
Stack sizes

| | | 100 | 150 | 200 | 250 | 300 | 350 | 400 | 450 | 500 |
|--------|--|-----|-----|-----|-----|-----|-----|-----|-----|-----|
| 127 mm | | 27 | 35 | 42 | 50 | 57 | 65 | 72 | 80 | 87 |
| | | 21 | 25 | 28 | 32 | 36 | 39 | 43 | 47 | 50 |
| 89 mm | | 29 | 40 | 50 | 60 | 69 | 80 | | | |
| | | 20 | 25 | 30 | 35 | 39 | 45 | | | |

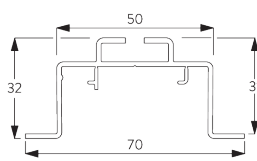
(cm)

B. PROFILE

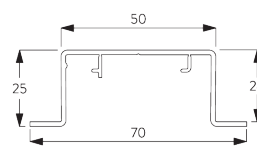
Profile and bending information



SG 2601
Profile



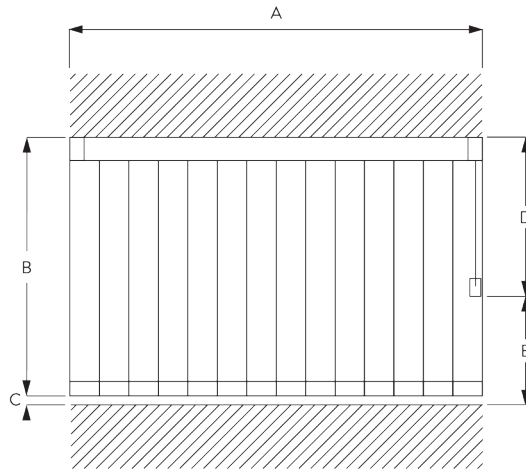
SG 2614
Recess profile



SG 2615
Recess profile

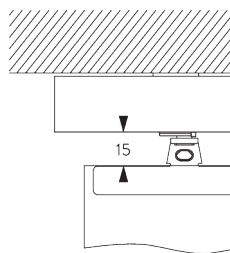


**C. HOW TO
MEASURE**



- A: System width
- B: System height
- C: Distance between floor and fabric
- D: Chain height
- E: Safety retainer SG 10731 min. 150 cm above floor

Light gap



**D. SPECIFICATION
TEXT**

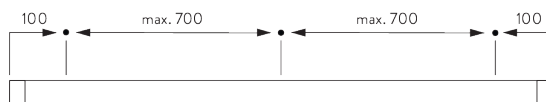
Silent Gliss SG 2810 Chain Operated Vertical Blind System. Comprises aluminium profile SG 2601 supplied made to measure powder coated white or silver anodised. Assembled complete with mono control chain SG 2872 and rotation elements to suit louvre width 127mm SG 2623 / 89mm SG 2625. Top fixed with clamp SG 2616 at max 300mm centres + 1. Wall fixed with bracket SG 2616 in conjunction with SG Smart Fix brackets SG 11201-11204 / SG Square Smart Fix brackets SG 11211-11214 / SG Universal Smart Fix brackets SG 11154-11156 at 300mm centres + 1. Recess fixed option with recess profile SG 2614 and wedges SG 5118. Fabric supplied from Silent Gliss fabric range.

FITTING

**A. FITTING
INFORMATION**

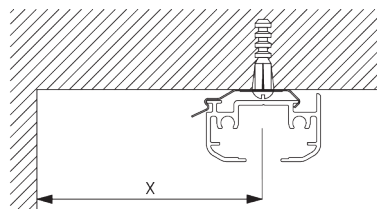
For detailed fitting information, visit the Silent Gliss website.

Fixing points

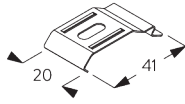


B. CEILING FITTING

Bracket SG 2616



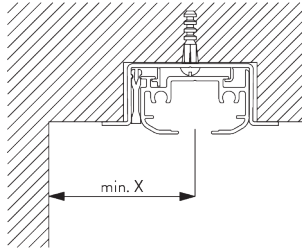
| Min. wall distance louvres | X mm |
|----------------------------|------|
| 89 mm | 65 |
| 127 mm | 85 |
| Vertical Waves 89 mm | 115 |
| Vertical Waves 125 mm | 140 |



SG 2616
Bracket

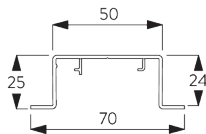
C. RECESS FITTING

Recess profile SG 2615

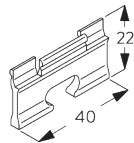


Recess profile SG 2615 can not be bent!
One wedge SG 5118 per fixing point.
For detailed recess fitting, visit the Silent Gliss website.

| Min. wall distance louvres | X mm |
|----------------------------|------|
| 89 mm | 65 |
| 127 mm | 85 |
| Vertical Waves 89 mm | 115 |
| Vertical Waves 125 mm | 140 |

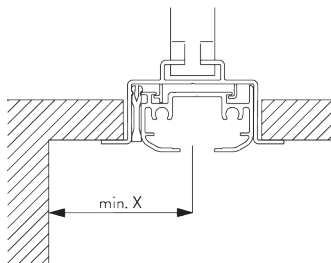


SG 2615
Recess profile



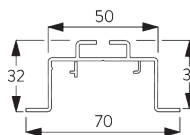
SG 5118
Wedge

Suspended ceiling / recess profile SG 2614 and hanger SG 6268

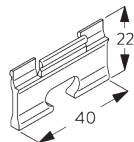


Recess profile SG 2614 can not be bent!
One wedge SG 5118 per fixing point.
For detailed recess fitting, visit the Silent Gliss website.

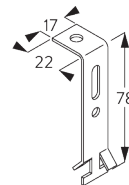
| Min. wall distance louvres | X mm |
|----------------------------|------|
| 89 mm | 65 |
| 127 mm | 85 |
| Vertical Waves 89 mm | 115 |
| Vertical Waves 125 mm | 140 |



SG 2614
Recess profile



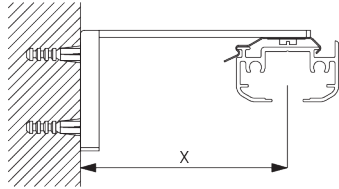
SG 5118
Wedge



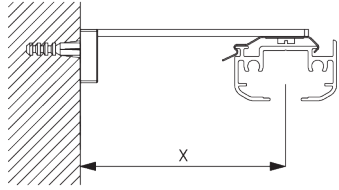
SG 6268
Hanger

D. WALL FITTING

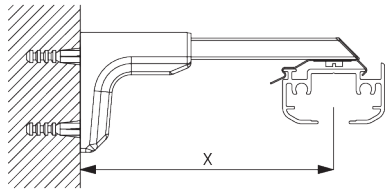
Smart Fix



Smart Fix SG 11201 - SG 11204 and bracket SG 2616:
Screw SG 10395 (M4x6) needed

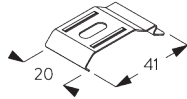


Square Smart Fix SG 11211 - SG 11214 and bracket SG 2616:
Screw SG 10395 (M4x6) needed



Universal Smart Fix SG 11154 - SG 11156 and bracket SG 2616:
Screw SG 10492 (M4x8) needed

| Smart Fix | X mm |
|-----------------------------------|---------|
| SG 11201 / SG 11211 | 72 |
| SG 11202 / SG 11212 | 92 |
| SG 11203 / SG 11213 | 112 |
| SG 11204 / SG 11214 | 142 |
| SG 11154 | 102-130 |
| SG 11155 | 132-160 |
| SG 11156 | 182-210 |
| <i>Min. wall distance louvres</i> | |
| 89 mm | 65 |
| 127 mm | 85 |
| Vertical Waves 89 mm | 115 |
| Vertical Waves 125 mm | 140 |



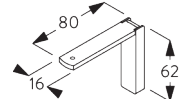
SG 2616
Bracket



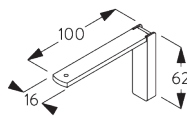
SG 10395
Pan head screw M4x6



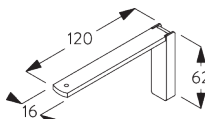
SG 10492
Pan head screw M4x8



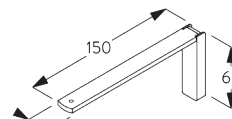
SG 11201
Smart Fix 80 mm



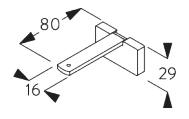
SG 11202
Smart Fix 100 mm



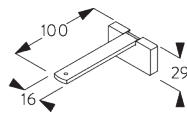
SG 11203
Smart Fix 120 mm



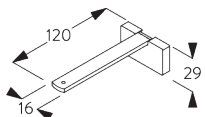
SG 11204
Smart Fix 150 mm



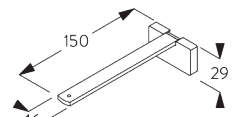
SG 11211
Square Smart Fix 80 mm



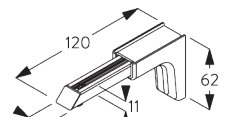
SG 11212
Square Smart Fix 100 mm



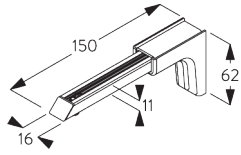
SG 11213
Square Smart Fix 120 mm



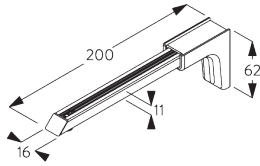
SG 11214
Square Smart Fix 150 mm



SG 11154
Universal Smart Fix 120 mm



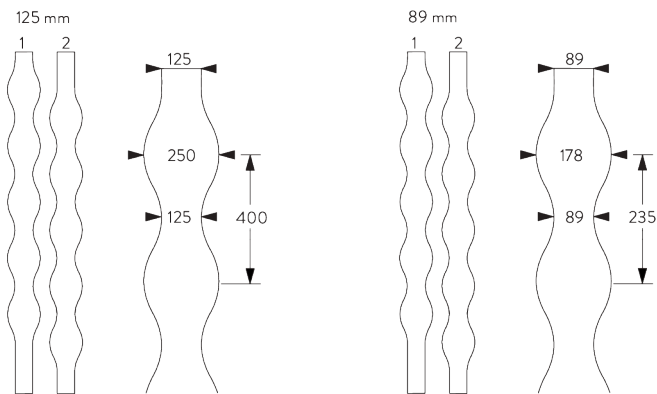
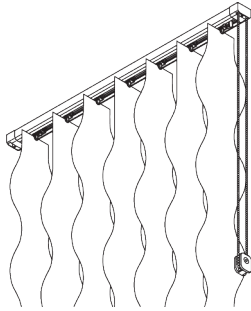
SG 11155
Universal Smart Fix 150 mm



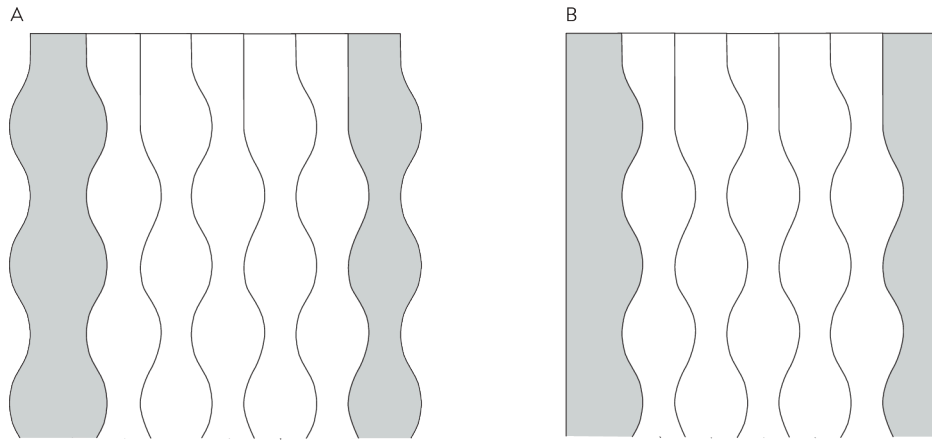
SG 11156
Universal Smart Fix 200 mm

SYSTEM OPTIONS

A. VERTICAL WAVES



3D Vertical Waves only applicable with 125 mm louvres.

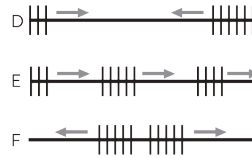
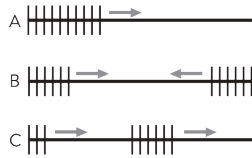


Wall ending

A: Wavy edge

B: Straight edge

B. STACKING
VARIATIONS



A: Single stack in one direction

B: Pair stack in two directions symmetrical

C: Pair stack in one direction asymmetrical

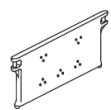
D: Pair stack in two directions asymmetrical

E: Multiple stacking in one direction symmetrical or asymmetrical

F: Centre stack

PARTS

A. STANDARD PARTS



SG 2471

Bottom weight 127 mm



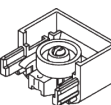
SG 2479

Bottom link 127 mm



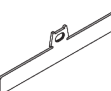
SG 2601

Profile



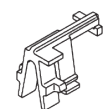
SG 2604

Guide



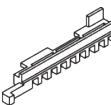
SG 2605

Top clip 127 mm



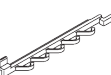
SG 2610

End stop



SG 2611

Stopper



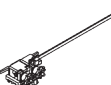
SG 2612

Brake



SG 2616

Bracket



SG 2620

Pilot runner



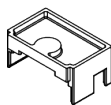
SG 2623

Rotation element set 127 mm



SG 2624

Rotation element set 100 mm



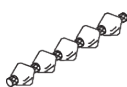
SG 2627

Cover



SG 2865

Bead chain connector ø 4.6 mm



SG 2872

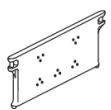
Bead chain plastic ø 4.6 mm



SG 10731

Child safety retainer set

B. OPTIONAL PARTS



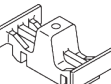
SG 2473

Bottom weight 89 mm



SG 2481

Bottom link 89 mm



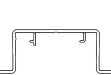
SG 2608

End stop



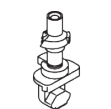
SG 2614

Recess profile



SG 2615

Recess profile



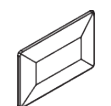
SG 2618

Shaft



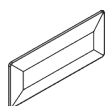
SG 2625

Rotation element set 89 mm



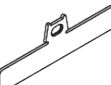
SG 2671

Bottom weight 89 mm



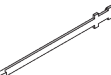
SG 2672

Bottom weight 127 mm



SG 2813

Top clip 89 mm



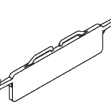
SG 2821

Spacer 63 mm / 2.5"



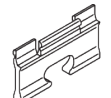
SG 2888

Bottom link 127 mm / 5"





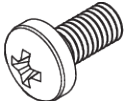
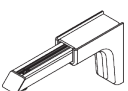
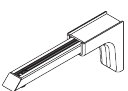
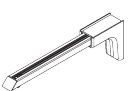
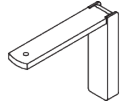
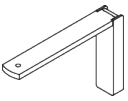
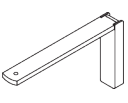
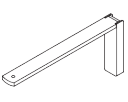
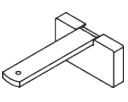
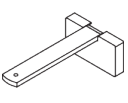
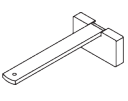
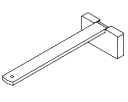
SG 2892

Bottom weight 127 mm / 5"

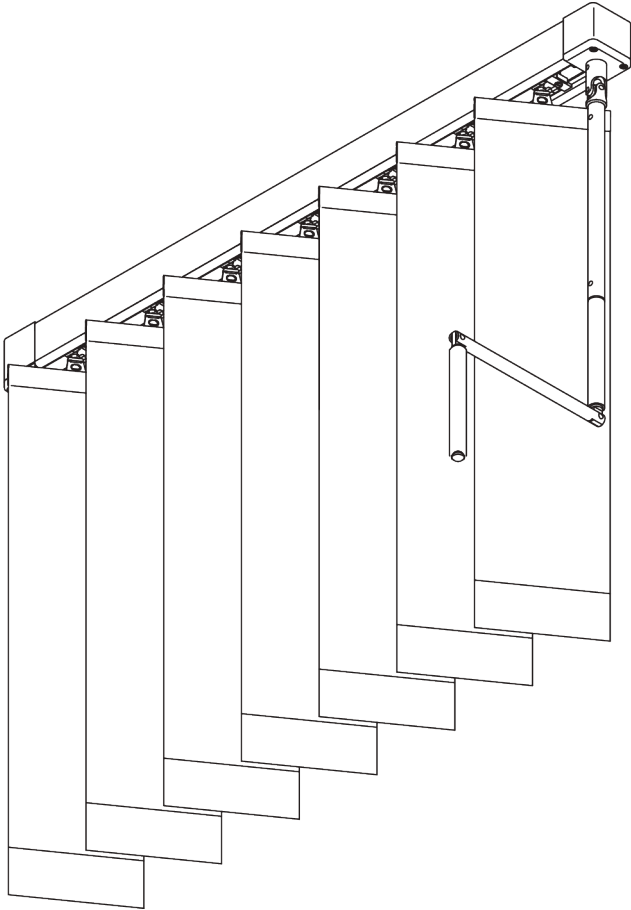


SG 5118

Wedge

| | |
|---|--|
|  | SG 6268 Hanger |
|  | SG 10395 Pan head screw M4x6 |
|  | SG 10492 Pan head screw M4x8 |
|  | SG 1114 Universal Smart Fix 120 mm |
|  | SG 1115 Universal Smart Fix 150 mm |
|  | SG 1116 Universal Smart Fix 200 mm |
|  | SG 11201 Smart Fix 80 mm |
|  | SG 11202 Smart Fix 100 mm |
|  | SG 11203 Smart Fix 120 mm |
|  | SG 11204 Smart Fix 150 mm |
|  | SG 11211 Square Smart Fix 80 mm |
|  | SG 11212 Square Smart Fix 100 mm |
|  | SG 11213 Square Smart Fix 120 mm |
|  | SG 11214 Square Smart Fix 150 mm |

SG 2900



PRODUCT INFORMATION

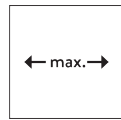
- **Operation:** Crank
- **Range:** S - L
- **Fitting:** ceiling, wall, recess
- **Colours:** white RAL 9016 or anodised aluminum, special colours possible
- **Fabrics:** refer to Silent Gliss fabric collection

Features:

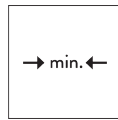
- Optimised light control
- Mono controlled
- Sloping applications
- Louvre width: 127 mm (standard), 89 mm
- Vertical Waves
- Bendable

SYSTEM SPECIFICATIONS

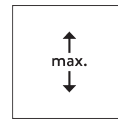
A. SYSTEM DIMENSIONS



6 m



Single Stack: 50 cm
Pair stack: 1.1 m



4 m



600 g per louvre

Max. system widths

| | 127 mm 89 mm | 6 m 6 m |
|--|-----------------|------------|
| | 127 mm 89 mm | 6 m 6 m |
| | 127 mm 89 mm | 6 m 5 m |
| | 127 mm 89 mm | 5 m 5 m |
| | 127 mm 89 mm | 6 m 5 m |

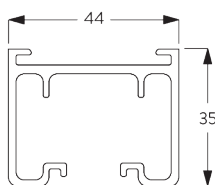
Stack sizes

| | | 100 | 150 | 200 | 250 | 300 | 350 | 400 | 450 | 500 | 550 | 600 | |
|--------|--|-----|-----|-----|-----|-----|-----|-----|-----|-----|-----|-----|--|
| 127 mm | | 27 | 35 | 42 | 50 | 57 | 65 | 72 | 80 | 87 | 95 | 101 | |
| | | 21 | 25 | 28 | 32 | 36 | 39 | 43 | 47 | 50 | 54 | 58 | |
| 89 mm | | 29 | 40 | 50 | 60 | 69 | 80 | 89 | 100 | 110 | 120 | 129 | |
| | | 20 | 25 | 30 | 35 | 39 | 45 | 50 | 56 | 60 | 65 | 69 | |

(cm)

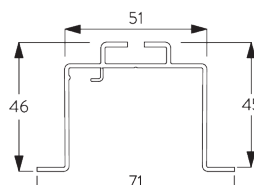
B. PROFILE

Profile and bending information



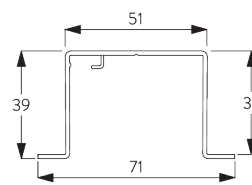
SG 2901

Profile



SG 2948

Recess profile

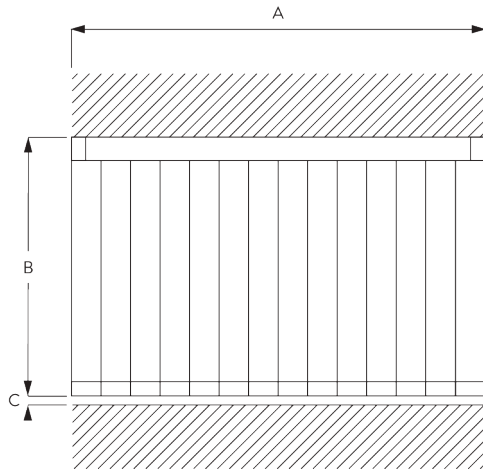


SG 2932

Recess profile



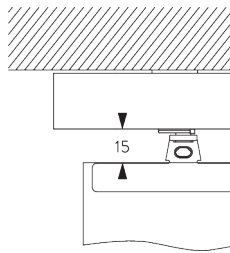
**C. HOW TO
MEASURE**



A: System width
B: System height
C: Distance between floor and fabric

Crank height approx. 110 cm from the floor (crank extended)!

Light gap



**D. SPECIFICATION
TEXT**

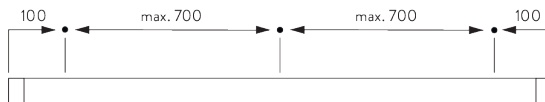
Silent Gliss SG 2900 Crank Operated Vertical Blind System. Comprises aluminium profile SG 2901 supplied made to measure powder coated white or silver anodised. Assembled complete with detachable crank handle SG 2746 and rotation elements to suit louvre width 127mm SG 2916 / 89mm SG 2918. Top fixed with clamp SG 3033 at max 300mm centres + 1. Wall fixed with clamp SG 3033 in conjunction with SG Universal Smart Fix brackets SG 11154-11156 at 300mm centres + 1. Recess fixed option with recess profile SG 2932 and wedges SG 2941. Fabric supplied from Silent Gliss fabric range.

FITTING

**A. FITTING
INFORMATION**

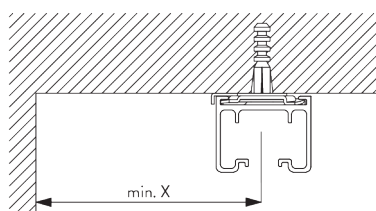
For detailed fitting information, visit the Silent Gliss website.

Fixing points

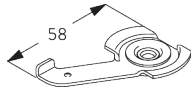


B. CEILING FITTING

Clamp SG 3033



| Min. wall distance louvres | X mm |
|----------------------------|------|
| 89 mm | 65 |
| 127 mm | 85 |
| Vertical Waves 89 mm | 115 |
| Vertical Waves 125 mm | 140 |

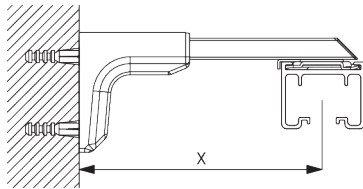


SG 3033

Clamp

C. WALL FITTING

Smart Fix



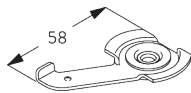
Universal Smart Fix SG 11154 - SG 11156 and clamp SG 3033

Screw SG 11158 (M4x12) needed.

| Smart Fix | X mm |
|-----------|---------|
| SG 11154 | 102-130 |
| SG 11155 | 132-160 |
| SG 11156 | 182-210 |

Min. wall distance louveres

| | |
|-----------------------|-----|
| Vertical Waves 89 mm | 115 |
| Vertical Waves 125 mm | 140 |

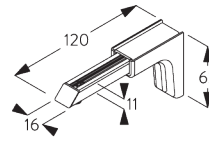


SG 3033

Clamp

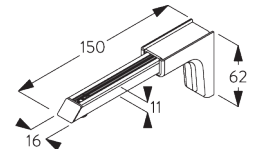
SG 11158

Countersunk head screw
M4x12



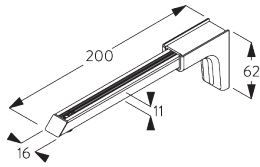
SG 11154

Universal Smart Fix 120 mm



SG 11155

Universal Smart Fix 150 mm

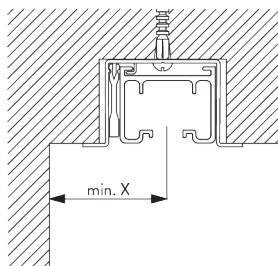


SG 11156

Universal Smart Fix 200 mm

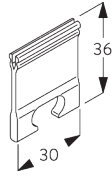
D. RECESS FITTING

**Recess profile
SG 2932**

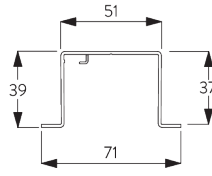


Recess profile SG 2932 can not be bent!
One wedge SG 2941 per fixing point.
For detailed recess fitting, visit the Silent Gliss website.

| Min. wall distance louveres | X mm |
|-----------------------------|------|
| 89 mm | 65 |
| 127 mm | 85 |
| Vertical Waves 89 mm | 115 |
| Vertical Waves 125 mm | 140 |

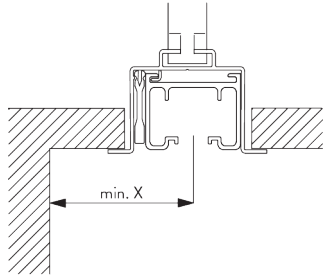


SG 2941
Wedge



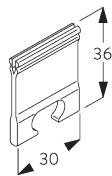
SG 2932
Recess profile

**Suspended ceiling
with recess profile
SG 2948 / hanger
SG 6268**

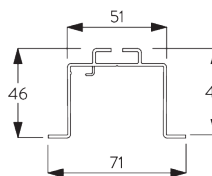


*Recess profile SG 2948 can not be bent!
One wedge SG 2941 per fixing point.
For detailed recess fitting, visit the Silent Gliss website.*

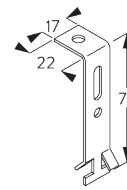
| <i>Min. wall distance louvres</i> | <i>X mm</i> |
|-----------------------------------|-------------|
| 89 mm | 65 |
| 127 mm | 85 |
| Vertical Waves 89 mm | 115 |
| Vertical Waves 125 mm | 140 |



SG 2941
Wedge



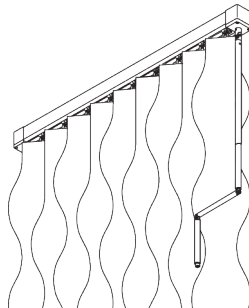
SG 2948
Recess profile

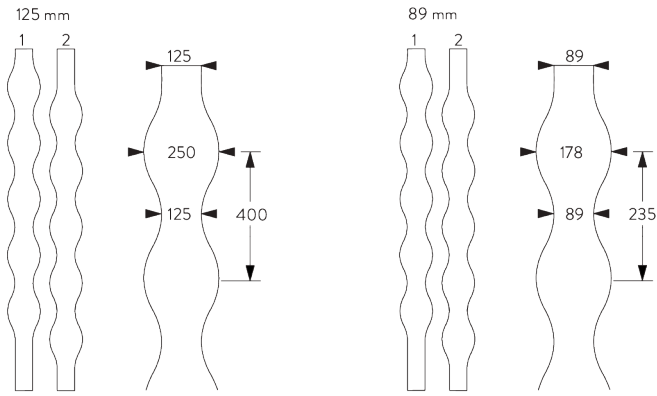


SG 6268
Hanger

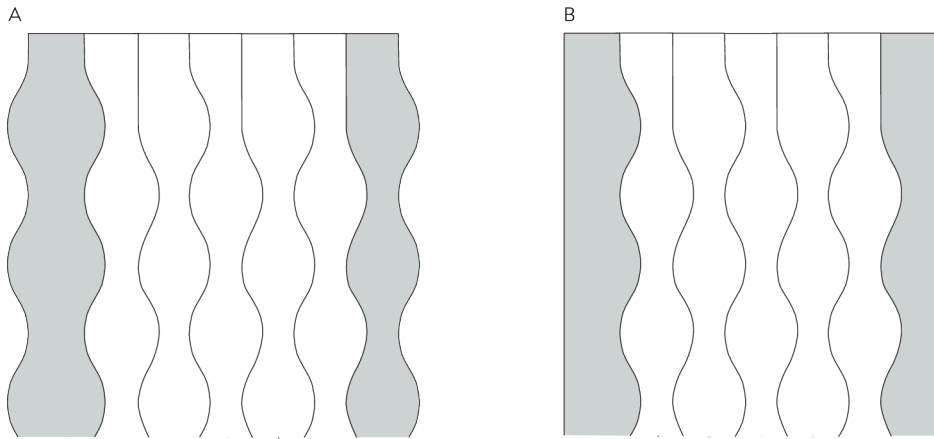
SYSTEM OPTIONS

A. VERTICAL WAVES



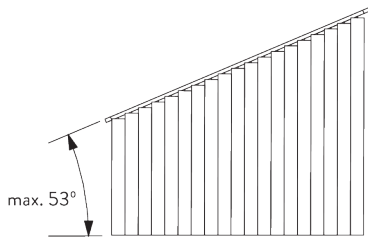


3D Vertical Waves only applicable with 125 mm louvres.



Wall ending
 A: Wavy edge
 B: Straight edge

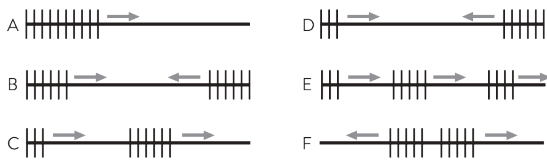
**B. SLOPING
 WINDOWS**



Maximum slope depends on louvre widths:
 - 45° with 127 mm louvres
 - 53° with 89 mm louvres

Not suitable with system option Vertical Waves.

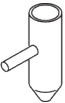
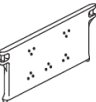

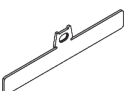
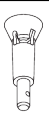
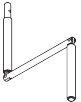
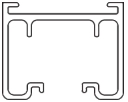
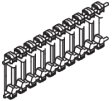


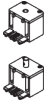
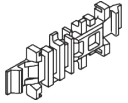
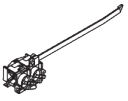

**C. STACKING
 VARIATIONS**

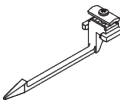



A: Single stack in one direction
 B: Pair stack in two directions symmetrical
 C: Pair stack in one direction asymmetrical
 D: Pair stack in two directions asymmetrical
 E: Multiple stacking in one direction symmetrical or asymmetrical
 F: Centre stack

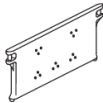

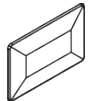
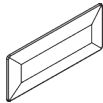


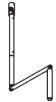
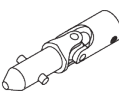



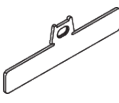


PARTS

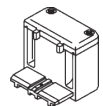
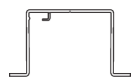
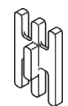
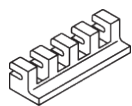
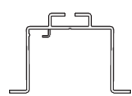
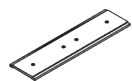
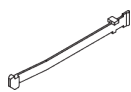
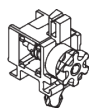
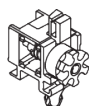
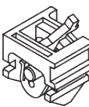
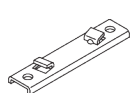
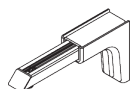
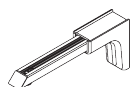
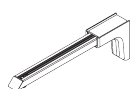
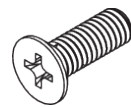
A. STANDARD PARTS

| | |
|---|--|
|  | SG 2182 Sleeve |
|  | SG 2471 Bottom weight 127 mm |
|  | SG 2479 Bottom link 127 mm |
|  | SG 2605 Top clip 127 mm |
|  | SG 2754 Detachable crank hood |
|  | SG 2756 Crank handle |
|  | SG 2901 Profile |
|  | SG 2912 Toothed chain |
|  | SG 2916 Rotation element set 127 mm / 5" |
|  | SG 2917 Rotation element set 100 mm / 4" |
|  | SG 2920 Crank drive set |
|  | SG 2925 Chain connector |
|  | SG 2927 Pilot runner |
|  | SG 2949 End stop |

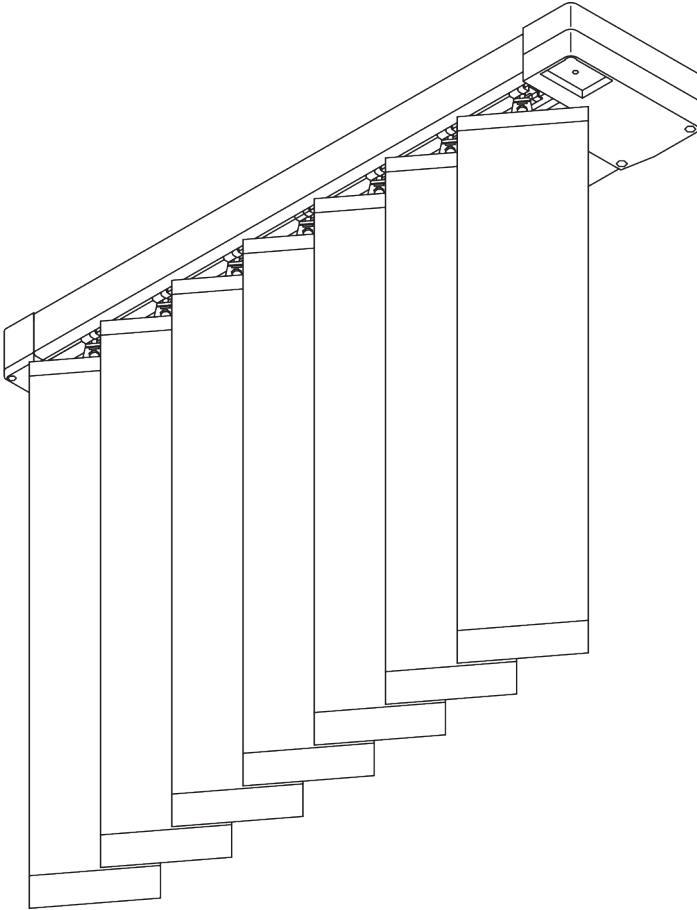
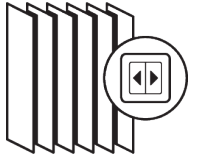
| | |
|---|----------------------------|
|  | SG 2982 End stop |
|  | SG 3033 Clamp |

B. OPTIONAL PARTS

| | |
|---|--|
|  | SG 2473 Bottom weight 89 mm |
|  | SG 2481 Bottom link 89 mm |
|  | SG 2671 Bottom weight 89 mm |
|  | SG 2672 Bottom weight 127 mm |
|  | SG 2735 Holder |
|  | SG 2742 Crank joint |
|  | SG 2745 Crank handle with joint |
|  | SG 2755 Crank joint |
|  | SG 2775 Sloping window distance part |
|  | SG 2776 Sloping window distance part |
|  | SG 2793 Sloping window distance part |
|  | SG 2813 Top clip 89 mm |
|  | SG 2849 Louvre clip |
|  | SG 2888 Bottom link 127 mm / 5" |

**SG 2918***Rotation element set 89 mm / 3.5"***SG 2919***Rotation element set 80 mm / 3"***SG 2930***Guide return***SG 2932***Recess profile***SG 2937***Safety device***SG 2941***Wedge***SG 2944***Limit stop***SG 2945***Limit stop***SG 2946***Limit stop***SG 2948***Recess profile***SG 2962***Connection bridge***SG 2966***Spacer***SG 2967***Spacer***SG 2968***Spacer***SG 2969***Spacer***SG 2971***Rotation element sloping window***SG 2972***Spacer***SG 2973***Spacer***SG 2975***Pilot runner sloping window***SG 2976***Drive set sloping window***SG 2979***Brake sloping window***SG 2987***Bracket***SG 2989***Connector***SG 2990***Cord drive***SG 6268***Hanger***SG 11154***Universal Smart Fix 120 mm***SG 11155***Universal Smart Fix 150 mm***SG 11156***Universal Smart Fix 200 mm***SG 11158***Countersunk head screw M4x12*

SG 2950



PRODUCT INFORMATION

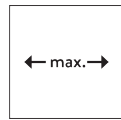
- **Operation:** motorised
- **Range:** S - L
- **Fitting:** ceiling, wall, recess
- **Colours:** white RAL 9016 or anodised aluminum, special colours possible
- **Fabrics:** refer to Silent Gliss fabric collection

Features:

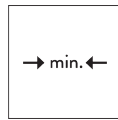
- Optimised light control
- Various control options
- Sloping applications
- Louvre width: 127 mm (standard), 89 mm
- Vertical Waves
- Bendable

SYSTEM SPECIFICATIONS

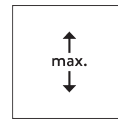
A. SYSTEM DIMENSIONS



6 m



Single Stack: 50 cm
Pair stack: 1.1 m




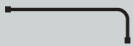
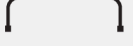





4 m

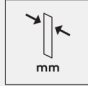


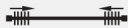

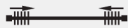


600 g per louvre

Max. system widths

| |  |  |
|---|---|---|
|  | 127 mm 89 mm | 6 m 6 m |
|  | 127 mm 89 mm | 6 m 6 m |
|  | 127 mm 89 mm | 6 m 5 m |
|  | 127 mm 89 mm | 5 m 5 m |
|  | 127 mm 89 mm | 6 m 5 m |
|  | 127 mm 89 mm | 5 m 4.5m |

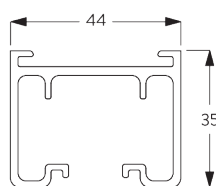
Stack sizes

|  | |  | | | | | | | | | | |
|---|---|---|-----|-----|-----|-----|-----|-----|-----|-----|-----|-----|
| | | 100 | 150 | 200 | 250 | 300 | 350 | 400 | 450 | 500 | 550 | 600 |
| 127 mm |  | 27 | 35 | 42 | 50 | 57 | 65 | 72 | 80 | 87 | 95 | 101 |
| |  | 21 | 25 | 28 | 32 | 36 | 39 | 43 | 47 | 50 | 54 | 58 |
| 89 mm |  | 29 | 40 | 50 | 60 | 69 | 80 | 89 | 100 | 110 | 120 | 129 |
| |  | 20 | 25 | 30 | 35 | 39 | 45 | 50 | 56 | 60 | 65 | 69 |

(cm)

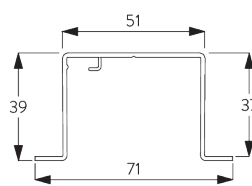
B. PROFILE

Profile and bending information



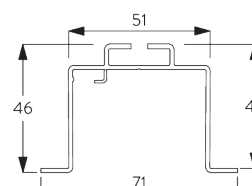
SG 2901

Profile



SG 2932

Recess profile

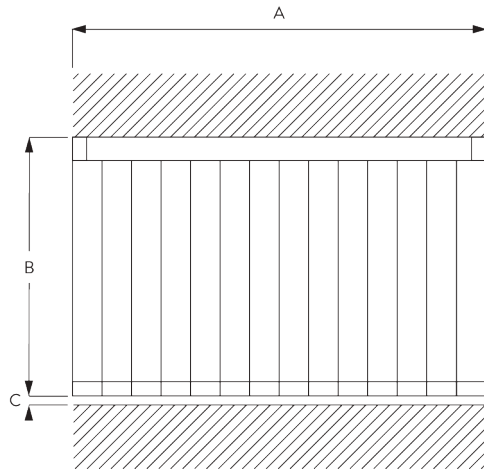


SG 2948

Recess profile

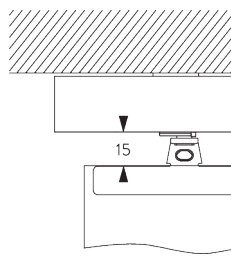


**C. HOW TO
MEASURE**



A: System width
B: System height
C: Distance between floor and fabric

Light gap



**D. SPECIFICATION
TEXT**

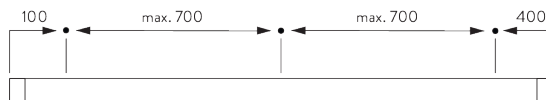
Silent Gliss SG 2950 Electrically Operated Vertical Blind System. Comprises aluminium profile SG 2901 supplied made to measure powder coated white or silver anodised. Assembled with motor SG 9090 / SG 9091, internal drive belt SG 2912 complete with rotation elements to suit louvre width 127mm SG 2916 / 89mm SG 2918. Top fixed with clamp SG 3033 at max 300mm centres + 1. Wall fixed with clamp SG 3033 in conjunction with SG Universal Smart Fix brackets SG 11154-11156 at 300mm centres + 1. Recess fixed option with recess profile SG 2932 and wedge SG 2941. Operation by dry contact switching / Silent Gliss radio control systems SG Control L / SG Control R. Fabric supplied from Silent Gliss fabric range.

FITTING

**A. FITTING
INFORMATION**

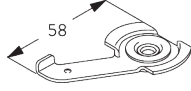
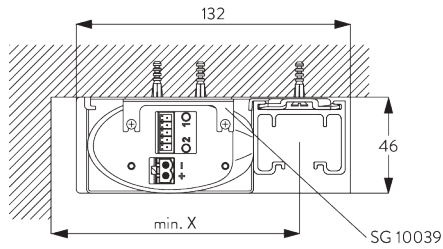
For detailed fitting information, visit the Silent Gliss website.

Fixing points



B. CEILING FITTING

Clamp SG 3033



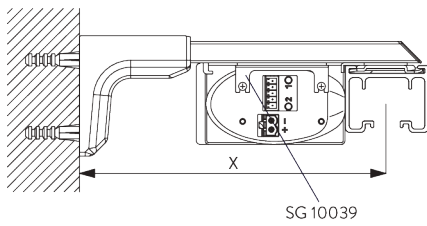
SG 3033

Clamp

| Min. wall distance louvres | X mm |
|----------------------------|------|
| 89 mm | 120 |
| 127 mm | 120 |
| Vertical Waves 89 mm | 115 |
| Vertical Waves 125 mm | 140 |

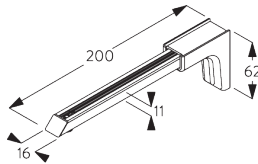
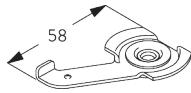
C. WALL FITTING

Smart Fix



Universal Smart Fix SG 11156 and clamp SG 3033 / SG 3044

Screw SG 11158 (M4x12) needed.



| Smart Fix | X mm |
|----------------------------|---------|
| SG 11156 | 182-210 |
| Min. wall distance louvres | |
| 89 mm | 150 |
| 127 mm | 150 |
| Vertical Waves 89 mm | 115 |
| Vertical Waves 125 mm | 140 |



SG 3033

Clamp

SG 11156

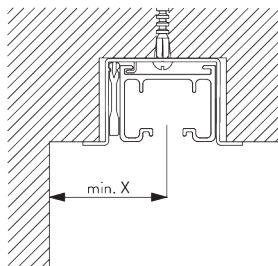
Universal Smart Fix 200 mm

SG 11158

Countersunk head screw
M4x12

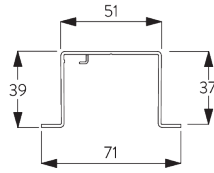
D. RECESS FITTING

Recess profile SG 2932

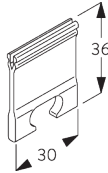


Recess profile SG 2932 can not be bent!
Larger recess for motor is necessary!
One wedge SG 2941 per fixing point.
For detailed recess fitting, visit the Silent Gliss website.

| Min. wall distance louvres | X mm |
|----------------------------|------|
| 89 mm | 65 |
| 127 mm | 85 |
| Vertical Waves 89 mm | 115 |
| Vertical Waves 125 mm | 140 |

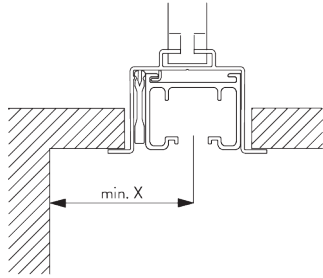


SG 2932
Recess profile



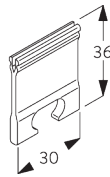
SG 2941
Wedge

**Suspended ceiling
with recess profile
SG 2948 / hanger
SG 6268**

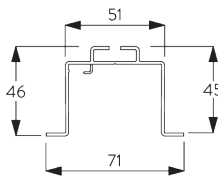


*Recess profile SG 2948 can not be bent!
Larger recess for motor is necessary!
One wedge SG 2941 per fixing point.
For detailed recess fitting, visit the Silent Gliss website.*

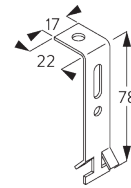
| <i>Min. wall distance louvres</i> | <i>X mm</i> |
|-----------------------------------|-------------|
| 89 mm | 65 |
| 127 mm | 85 |
| Vertical Waves 89 mm | 115 |
| Vertical Waves 125 mm | 140 |



SG 2941
Wedge



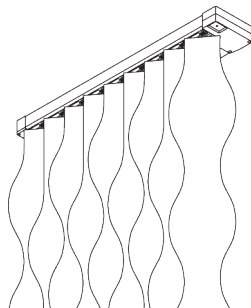
SG 2948
Recess profile

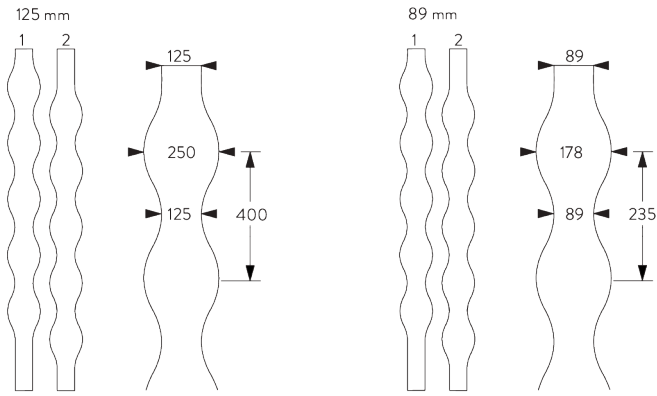


SG 6268
Hanger

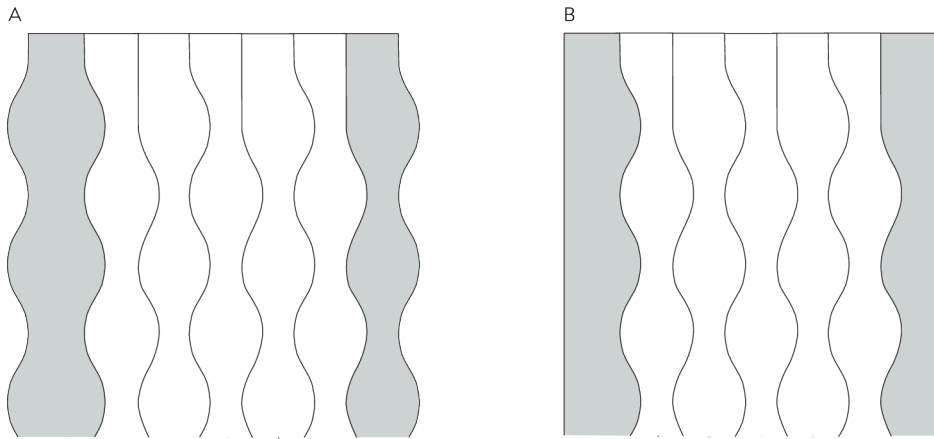
SYSTEM OPTIONS

A. VERTICAL WAVES



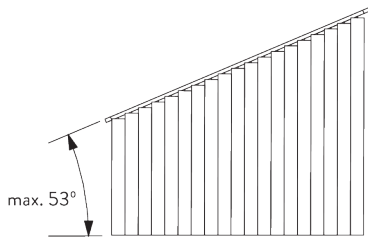


3D Vertical Waves only applicable with 125 mm louvres.



Wall ending
 A: Wavy edge
 B: Straight edge

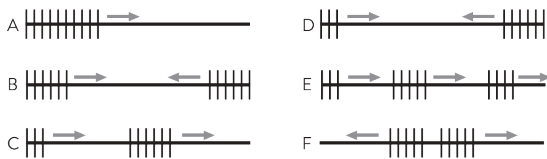
B. SLOPING WINDOWS



Maximum slope depends on louvre widths:
 - 45° with 127 mm louvres
 - 53° with 89 mm louvres

Not suitable with system option Vertical Waves.
 Both the stack and the motor need to be at the top of the slope.

C. STACKING VARIATIONS



A: Single stack in one direction
 B: Pair stack in two directions symmetrical
 C: Pair stack in one direction asymmetrical
 D: Pair stack in two directions asymmetrical
 E: Multiple stacking in one direction symmetrical or asymmetrical
 F: Centre stack

MOTORS & CONTROLS

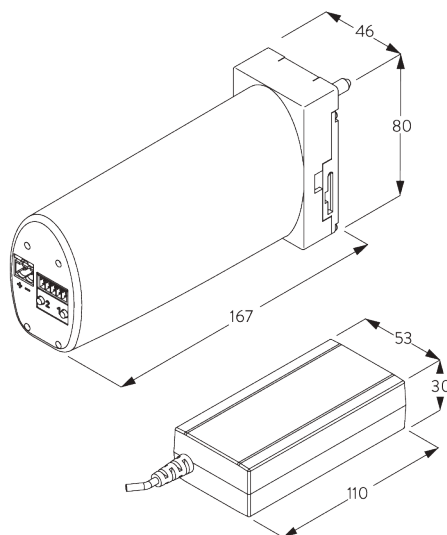
A. MOTOR FEATURES

| Motors | SG 9090 | SG 9091 |
|---|---------|---------|
| Motor Features | | |
| Soft start / stop | • | • |
| Built-in receiver | | • |
| Electronic end-stop | • | • |
| Electronic revolution counter (unlimited revolution) | • | • |
| IP class | IP 40 | IP 40 |
| Control Features | | |
| Dry contact control | • | • |
| Dry contact and / or SG Control L | | • |
| Dry contact and / or SG Control R | | • |
| SG Control L (built-in receiver) | | • |
| SG Control R (built-in receiver) | | • |
| Suitable for most major home automation systems (with suitable interface) | • | • |

B. MOTOR SPECIFICATIONS

| Motors | Voltage | Current | System speed / sec | Frequency receiver |
|---------|---------|---------|--------------------|--------------------|
| SG 9090 | 24 V DC | 1.8 A | 10 cm / sec | n/a |
| SG 9091 | 24 V DC | 1.8 A | 10 cm / sec | 433/868/915 MHz |

C. MOTOR DIMENSIONS



Motors SG 9090 / SG 9091 DC (24 V)

Power supply SG 11425 needed to operate the motors.

D. OPERATING METHODS

See catalogue "controls" for details.

Wall Switch



System can be operated by fixed wall switch.

SG Control L



Various radio hand-held and wall transmitters available.



Silent Gliss Move App.

SG Control R



Various radio hand-held and wall transmitters available.

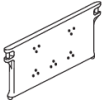

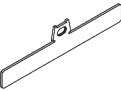
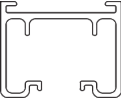



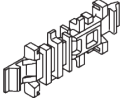
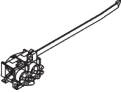

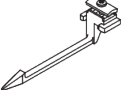

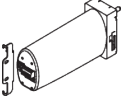
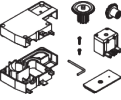
E. WIRING
DIAGRAMS



Refer to Silent Gliss website.

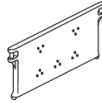

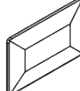
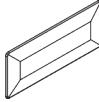




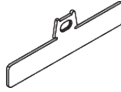



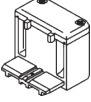
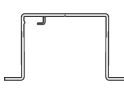
PARTS

A. STANDARD PARTS

| | |
|---|--|
|  | SG 2471 Bottom weight 127 mm |
|  | SG 2479 Bottom link 127 mm |
|  | SG 2605 Top clip 127 mm |
|  | SG 2901 Profile |
|  | SG 2912 Toothed chain |
|  | SG 2916 Rotation element set 127 mm / 5" |
|  | SG 2917 Rotation element set 100 mm / 4" |
|  | SG 2925 Chain connector |
|  | SG 2927 Pilot runner |
|  | SG 2949 End stop |
|  | SG 2982 End stop |
|  | SG 3033 Clamp |
|  | SG 9090 Motor 24V DC |
|  | SG 9119 Gear drive set |

| | |
|---|---|
|  | SG 11425 Power supply 24V / 2A including cable with UK plug |
|---|---|

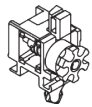
B. OPTIONAL PARTS

| | |
|---|---|
|  | SG 2473 Bottom weight 89 mm |
|  | SG 2481 Bottom link 89 mm |
|  | SG 2671 Bottom weight 89 mm |
|  | SG 2672 Bottom weight 127 mm |
|  | SG 2735 Holder |
|  | SG 2775 Sloping window distance part |
|  | SG 2776 Sloping window distance part |
|  | SG 2793 Sloping window distance part |
|  | SG 2813 Top clip 89 mm |
|  | SG 2849 Louvre clip |
|  | SG 2918 Rotation element set 89 mm / 3.5" |
|  | SG 2919 Rotation element set 80 mm / 3" |
|  | SG 2930 Guide return |
|  | SG 2932 Recess profile |



SG 2937

Safety device



SG 2975

Pilot runner sloping window



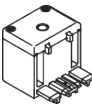
SG 20913

Wall switch single channel



SG 2941

Wedge



SG 2977

Guide return



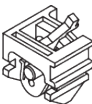
SG 20914

Wall switch 8 channel



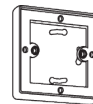
SG 2944

Limit stop



SG 2979

Brake sloping window



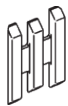
SG 20917

Patress box



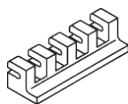
SG 2945

Limit stop



SG 2989

Connector



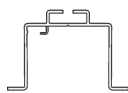
SG 2946

Limit stop



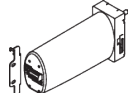
SG 6268

Hanger



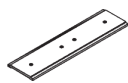
SG 2948

Recess profile



SG 9091

Motor 24V DC, radio receiver



SG 2962

Connection bridge



SG 10300

Radio hand held 1 channel



SG 2966

Spacer



SG 10302

Radio hand held 5+1 channel



SG 2967

Spacer



SG 10303

Radio hand held 10+2+1 channel



SG 2968

Spacer



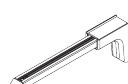
SG 10804

Radio hand held 15+5+1 channel



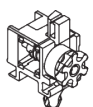
SG 2969

Spacer



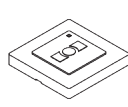
SG 11156

Universal Smart Fix 200 mm



SG 2971

Rotation element sloping window



SG 11480

Radio wall transmitter 1 channel



SG 2972

Spacer



SG 11490

Radio wall transmitter 5+1 channel



SG 2973

Spacer



SG 20336

Hand held transmitter 8 channel

The Architects of Silence

Silent Gliss is the leading global supplier of premium interior window treatments. Since 1952 we have been tirelessly committed to the development of the world's smoothest, quietest systems using state of the art technology.

Driven by customer needs, Silent Gliss offers functional and durable products. Expert technical advice coupled with installation and support services complete the offer. Silent Gliss stands for innovative, sustainable, tailor made solutions, exceptional design and first-class quality.

Silent Gliss Ltd.

Pyramid Business Park
Poorhole Lane, Broadstairs
Kent CT10 2PT
United Kingdom
T +44 1843 863571
F +44 1843 864503
info@silentgliss.co.uk

Silent Gliss Global Ltd.

Pyramid Business Park
Poorhole Lane, Broadstairs
Kent CT10 2PT
United Kingdom
T +44 1843 874250
F +44 1843 864503
info@silentglissglobal.com

Silent Gliss Blinds Trading LLC

Office 1906
The H Hotel Complex
Trade Center First
Dubai
United Arab Emirates
T +971 4 7050318
info@silentgliss.ae

silentgliss.co.uk
silentglissglobal.com
silentgliss.ae