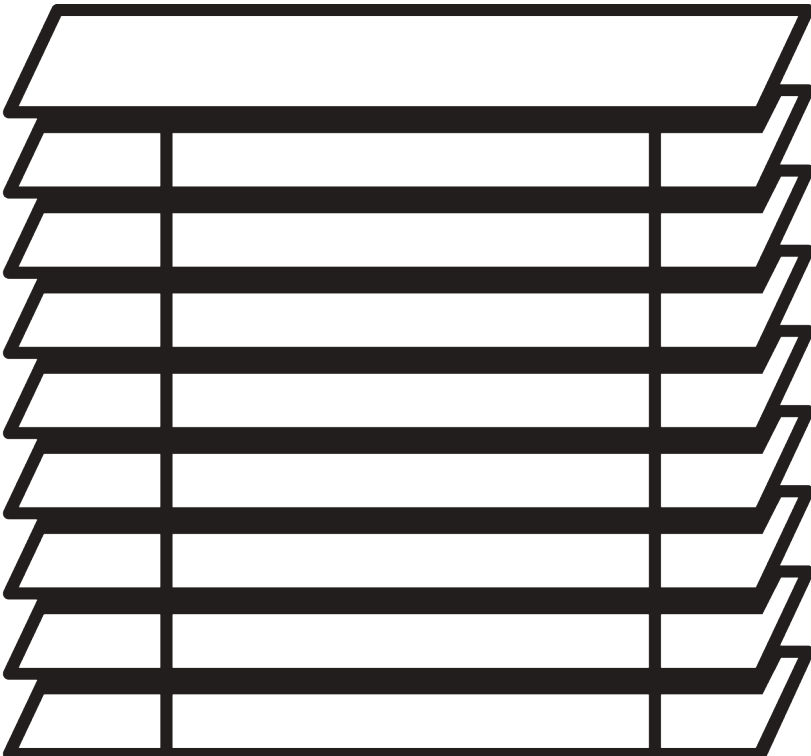


VENETIAN BLIND SYSTEMS



GENERAL NOTES

Dimensions

- *Measurements are in mm except where indicated.*






Fitting

- *Installation by qualified fitter only.*
- *Number of brackets and fitting positions / fixing points vary depending on fitting surface, system weight, slate type, screw / fixing type and obstacles.*
- *Qualified fitter must use appropriate screws / fixings for each situation.*
- *Profile lip if applicable to be installed to room side.*
- *Electrical installations must be carried out according to Silent Gliss wiring diagrams and conform to local regulations.*
- *Check space for cables and plugs!*

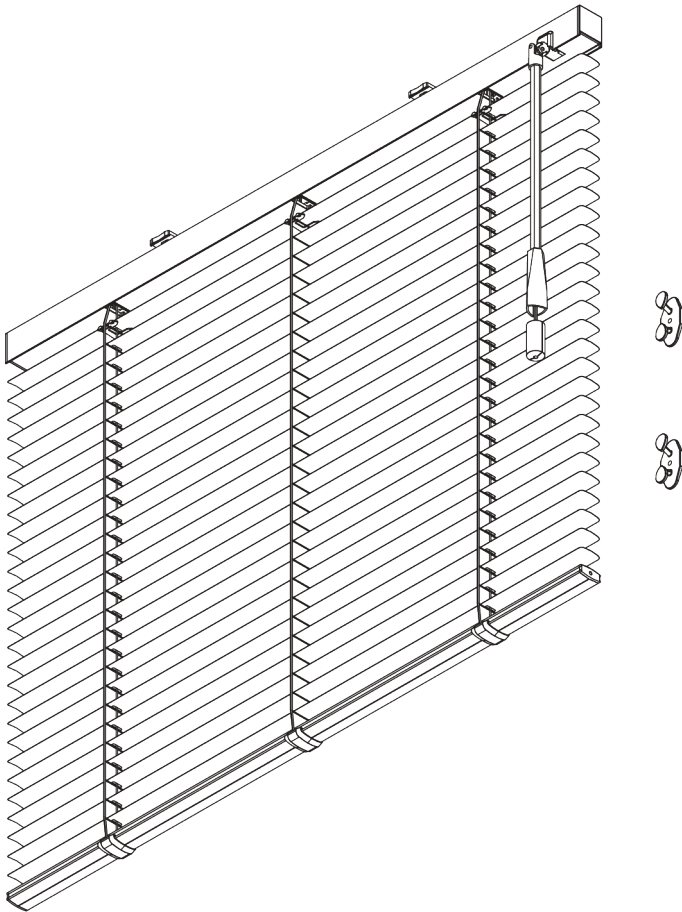
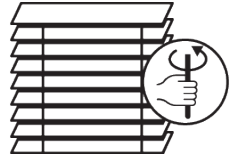
Child Safety

- *All relevant Silent Gliss systems correspond to child safety EN 13120.*
- *All parties involved must comply with EN 13120.*

APPLICATION CHART

<u>PAGE</u>	<u>SYSTEM</u>	<u>OPERATION</u>	<u>DIMENSION</u>	← max. →	↑ max. ↓
5	SG 8110		S - M	3 m	3 m
13	SG 8910		L	3.6 m	3.6 m
19	SG 8300		S - M	3 m	3 m
27	SG 8250		S - M	3 m	3.4 m
37	SG 8960		L	3.6 m	3.6 m

SG 8110



PRODUCT INFORMATION

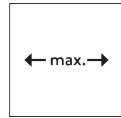
- **Operation** control wand
- **Range:** S - M
- **Fitting:** ceiling, wall
- **Colours:** refer to Silent Gliss slat collection

Features:

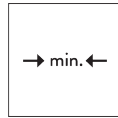
- Optimised light control
- Convenient turning of the slats using the control wand
- Multifunctional control wand
- Slat width: 25 mm (standard), 16 mm
- Privacy control (PC)

SYSTEM SPECIFICATIONS

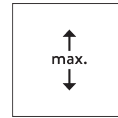
A. SYSTEM DIMENSIONS



25 mm slats: 3 m
16 mm slats: 2.5 m



28 cm

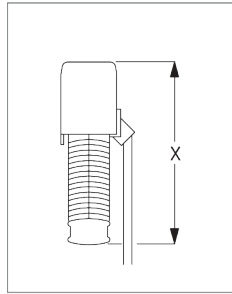


25 mm slats: 3 m
16 mm slats: 2.5 m



25 mm slats: 7 m²
16 mm slats: 5 m²

Slat stack heights

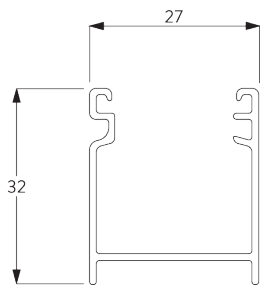


		mm					
		max.					
		50	100	150	200	250	300
25 mm (PC)	X	7	9	11	13	15	17
16 mm	X	7	9	11	13	15	

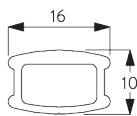
(cm)

B. PROFILE

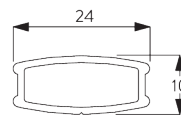
Profile information



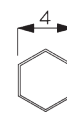
SG 10037
Profile



SG 8003
Bottom bar 16 mm

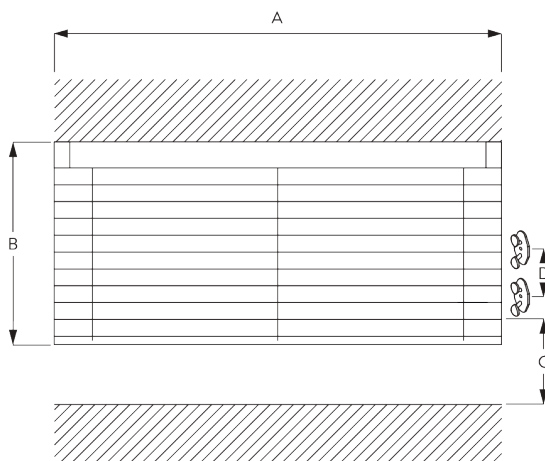


SG 8004
Bottom bar 24 mm



SG 8120
Shaft

C. HOW TO MEASURE



A: System width
B: System height
C: Cleats SG 10742 min. 150 cm above floor
D: 7 - 35 cm depending on system height

D. SPECIFICATION TEXT

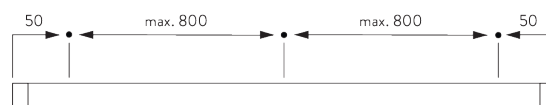
Silent Gliss SG 8110 / SG 8110PC Wand Operated Venetian Blind System. Supplied made to measure and complete comprising aluminium headrail SG 10037. Dual operation with control wand including breakaway cord connector which combines tilt/raise/lowering of slats, left or right-hand operation with various wand lengths available. Integrated brake ensures precise and controlled lowering. SG 8110PC version (25mm slats only) features concealed slat punching. System fixed with snap on brackets SG 10101 to ceiling / wall at 800-1000mm intervals plus one 50mm from each end. Optional side-guide wires available for sloped applications up to 15° incline from vertical. Compliant to Child Safety Legislation EN13120 when used in conjunction with cleats SG 10742 and break away cord connector SG 10748. Slat to be chosen from Silent Gliss 16mm or 25mm range, Price Group 1 / 2 / 3.

FITTING

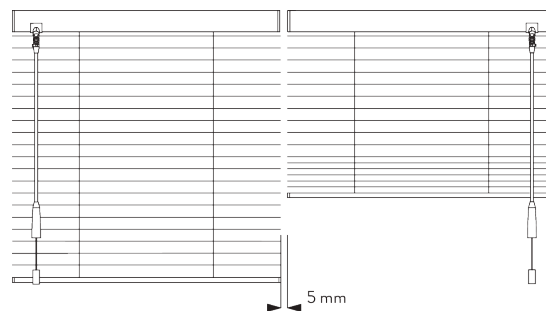
A. FITTING INFORMATION

For detailed fitting information, visit the Silent Gliss website.

Fixing points



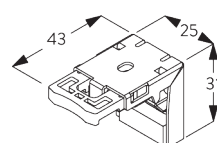
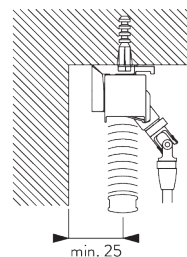
Side-by-side fitting



Min. distance: 5 mm

B. CEILING FITTING

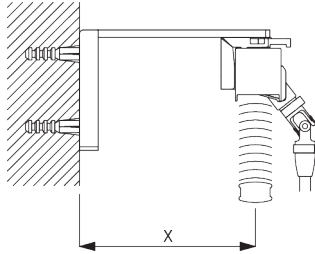
Bracket SG 10101



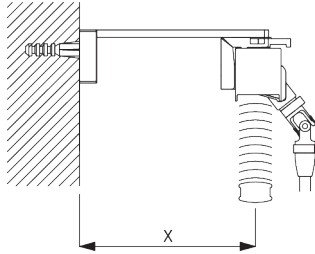
SG 10101
Bracket

C. WALL FITTING

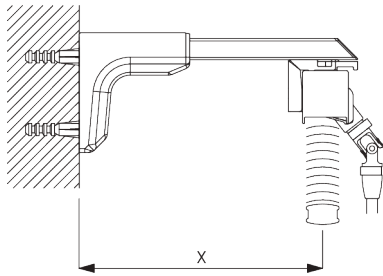
Smart Fix



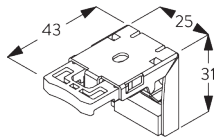
Smart Fix SG 11200 - SG 11201 and bracket SG 10101:
Screw SG 10395 (M4x6) needed.



**Square Smart Fix SG 11210 - SG 11211
and bracket SG 10101:**
Screw SG 10395 (M4x6) needed.



**Universal Smart Fix SG 11154 - SG 11156
and bracket SG 10101:**
Screw SG 10407 (M4x10) needed.



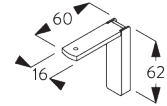
SG 10101
Bracket



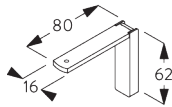
SG 10395
Pan head screw M4x6



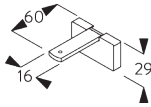
SG 10407
Pan head screw M4x10



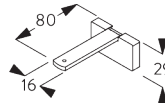
SG 11200
Smart Fix 60 mm



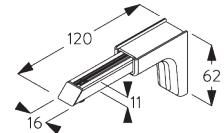
SG 11201
Smart Fix 80 mm



SG 11210
Square Smart Fix 60 mm

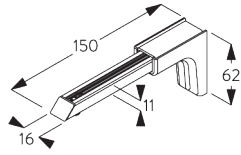


SG 11211
Square Smart Fix 80 mm

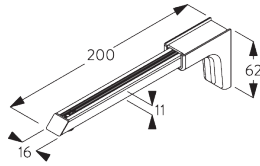


SG 11154
Universal Smart Fix 120 mm

Smart Fix	X mm
SG 11200 / SG 11210	57-59
SG 11201 / SG 11211	77-79
SG 11154	107-135
SG 11155	137-165
SG 11156	187-215

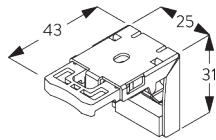
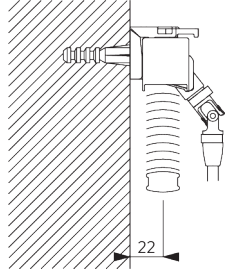


SG 11155
Universal Smart Fix 150 mm



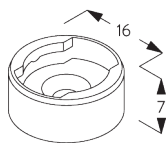
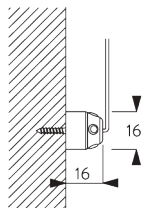
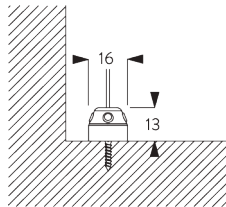
SG 11156
Universal Smart Fix 200 mm

Bracket SG 10101

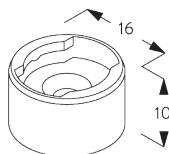


SG 10101
Bracket

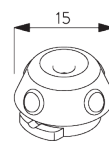
**D. FITTING WITH
SIDE GUIDE
OPTION**



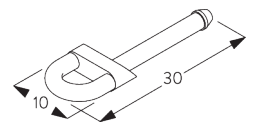
SG 8235
Side guide wire base short



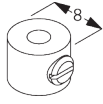
SG 8236
Side guide wire base long



SG 8237
Side guide wire holder

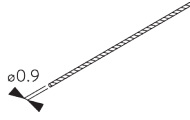


SG 8241
Side guide eyelet



SG 8249

Side guide device

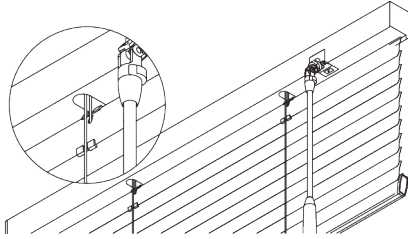


SG 10120

Side guide wire \varnothing 0.9 mm

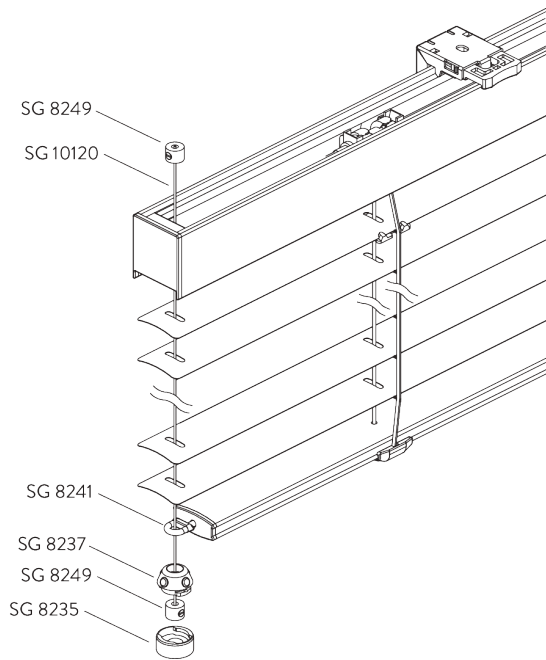
SYSTEM OPTIONS

A. PRIVACY CONTROL (PC)



To avoid direct light ingress when slats are closed.
For 25 mm slats only. Not applicable with side guides.

B. SIDE GUIDES



Additional parts:



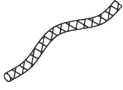


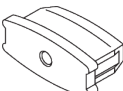
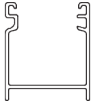
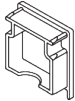
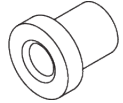
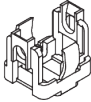
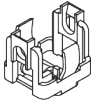
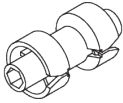
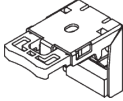
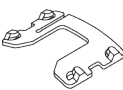
- 2x SG 8235 Side guide wire base short
- 2x SG 8237 Side guide wire holder
- 2x SG 8241 Side guide eyelet
- 4x SG 8249 Side guide device
- 2x SG 10120 Side guide wire \varnothing 0.9 mm

Note:

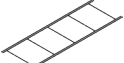



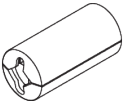


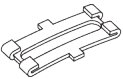

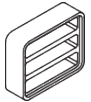
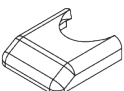

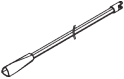

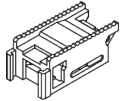
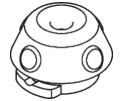
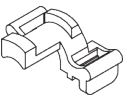
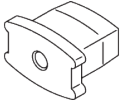
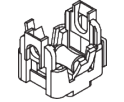
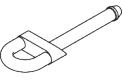
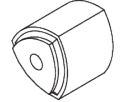
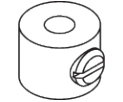
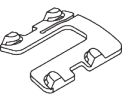
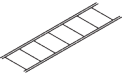
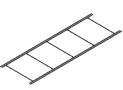
- Up to 15° from vertical

PARTS

A. STANDARD PARTS

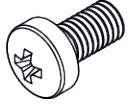
	SG 8004 Bottom bar 24 mm
	SG 8007 Slat 25 mm
	SG 8011 Lift cord ø 1.2 mm
	SG 8013 Bottom clip 25 mm
	SG 8120 Shaft
	SG 8239 End cover 25 mm
	SG 10037 Profile
	SG 10077 End cover
	SG 10081 Shaft stop
	SG 10086 Tilter holder without pulley
	SG 10087 Tilter holder with pulley
	SG 10088 Tilter
	SG 10101 Bracket
	SG 10104 Slat clip 25 mm

B. OPTIONAL PARTS

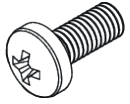
	SG 10117 Ladder cord 25 mm		SG 8003 Bottom bar 16 mm
	SG 10742 Child safety cord cleat		SG 8006 Slat 16 mm
	SG 10748 Child safety break away cord connector		SG 8012 Bottom clip 16 mm
	SG 10898 Child safety cord bush		SG 8109 Slat clip 25 mm
	SG 11491 Gear box		SG 8148 Projection block
	SG 11492 Gear box cover		SG 8235 Side guide wire base short
	SG 11496 Control wand 680 mm		SG 8236 Side guide wire base long
	SG 11509 Cord stop		SG 8237 Side guide wire holder
	SG 11510 Cord stop cover		SG 8238 End cover 16 mm
	SG 11511 Tilter holder with pulley		SG 8241 Side guide eyelet
	SG 11512 Cord end cap		SG 8249 Side guide device
			SG 10109 Slat clip 16 mm
			SG 10116 Ladder cord 16 mm
			SG 10118 Ladder cord 25 mm PC



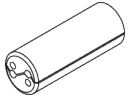
SG 10120
Side guide wire ø 0.9 mm



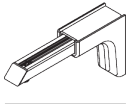
SG 10395
Pan head screw M4x6



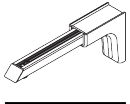
SG 10407
Pan head screw M4x10



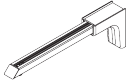
SG 10745
Child safety break away cord connector



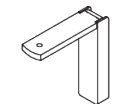
SG 11154
Universal Smart Fix 120 mm



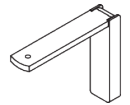
SG 11155
Universal Smart Fix 150 mm



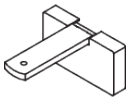
SG 11156
Universal Smart Fix 200 mm



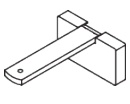
SG 11200
Smart Fix 60 mm



SG 11201
Smart Fix 80 mm



SG 11210
Square Smart Fix 60 mm



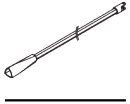
SG 11211
Square Smart Fix 80 mm



SG 11494
Control wand 320 mm



SG 11495
Control wand 480 mm



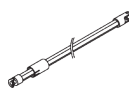
SG 11497
Control wand 880 mm



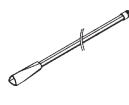
SG 11498
Control wand 1080 mm



SG 11499
Control wand 1280 mm



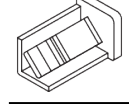
SG 11501
Extension 900 mm



SG 11505
Control wand for extension 580 mm

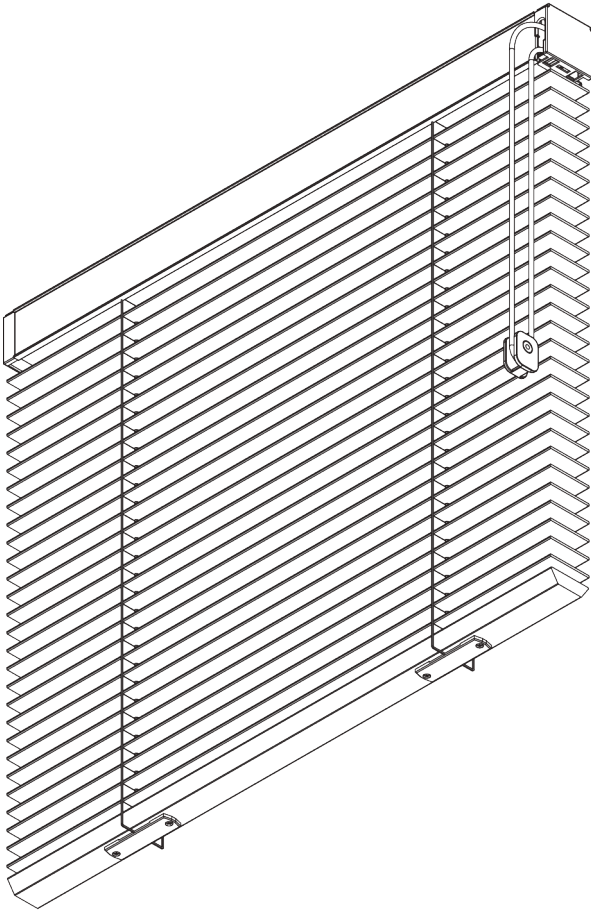
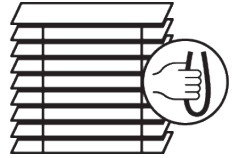


SG 11506
Control wand for extension 780 mm



SG 11516
Wedge

SG 8910



PRODUCT INFORMATION

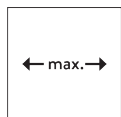
- **Operation:** cord
- **Range:** L
- **Fitting:** ceiling, wall
- **Colours:** refer to Silent Gliss slat collection

Features:

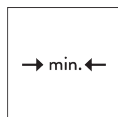
- Optimised light control
- Speed controller: semi-automatic lowering of slats
- Wood, aluminium and leather slats
- Slat width: 50 mm
- Headrail slat cover
- Choice of ladder cord or decorative slat tape

SYSTEM SPECIFICATIONS

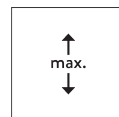
A. SYSTEM DIMENSIONS



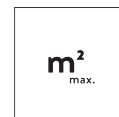
Wood / Leather: 2.4 m
Aluminium: 3.6 m



65 cm



Wood / Leather: 2.75 m
Aluminium: 3.6 m



Wood / Leather: 4.6 m²
Aluminium: 10 m²

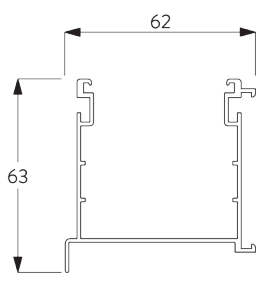
Slat stack heights

Note: stack size will be larger when tapes are used

Wooden										
			60	90	120	150	180	210	240	275
50 mm	X		12	15	17	20	22	25	27	30
(cm)										
Leather										
			60	90	120	150	180	210	240	275
50 mm	X		14	16	18	20	22	24	26	28
(cm)										
Aluminium										
			100	200	300	360				
50 mm	X		10	13	17	20				
(cm)										

B. PROFILE

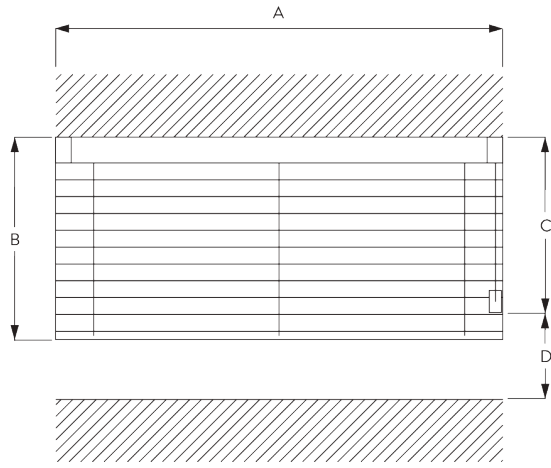
Profile information



SG 8902

Profile

**C. HOW TO
MEASURE**



A: System width
 B: System height
 C: Cord height
 D: Safety Retainer SG 10731 min. 150 cm above floor

**D. SPECIFICATION
TEXT**

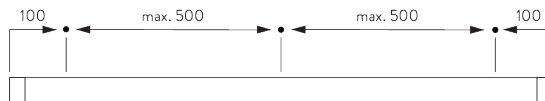
Silent Gliss SG 8910 Cord Operated Venetian Blind System. Supplied made to measure and complete comprising aluminium headrail SG 8902 incorporating matching colour slat, right or left-hand side single cord operation which permits raising, lowering and tilting of the slats. System fixed with universal brackets SG 8920 to ceiling or wall at 500mm intervals plus one at 100mm from each end. Compliant to Child Safety legislation EN 13120 when used in conjunction with Cord Retainer 10400. Slat colours to be chosen from Silent Gliss 50mm aluminium / wood / leather range.

FITTING

**A. FITTING
INFORMATION**

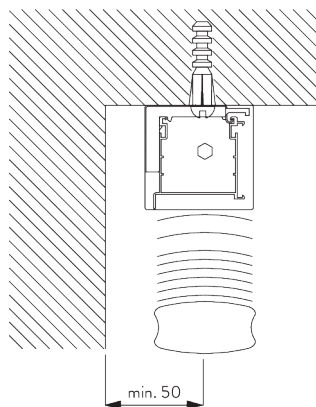
For detailed fitting information, visit the Silent Gliss website.

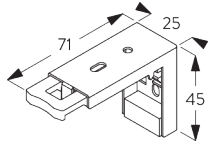
Fixing points



B. CEILING FITTING

Bracket SG 8920



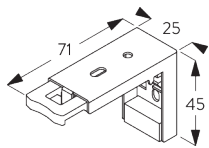
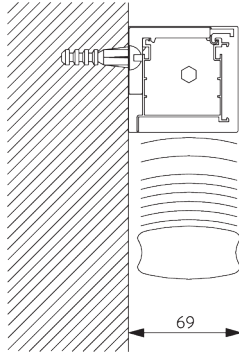


SG 8920

Bracket

C. WALL FITTING

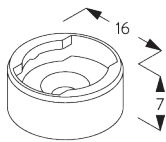
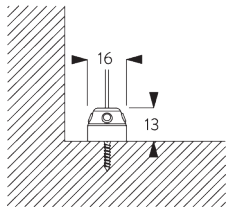
Bracket SG 8920



SG 8920

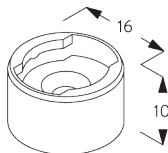
Bracket

**D. FITTING WITH
SIDE GUIDE
OPTION**



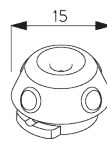
SG 8235

Side guide wire base short



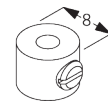
SG 8236

Side guide wire base long



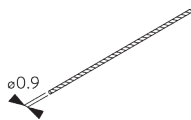
SG 8237

Side guide wire holder



SG 8249

Side guide device

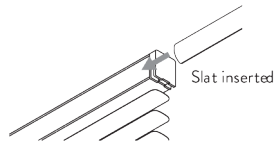


SG 10120

Side guide wire \varnothing 0.9 mm

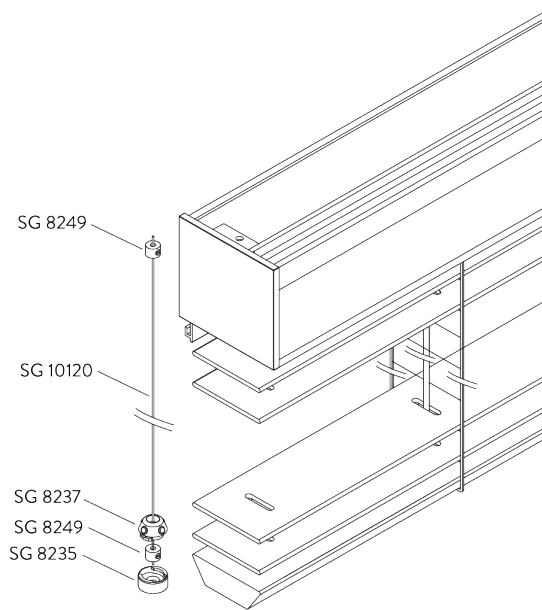
SYSTEM OPTIONS

A. HEADRAIL SLAT COVER



- A slat is inserted into the headrail for perfect matching of colours and materials to avoid the need to fit a cumbersome valance.
- For leather slat blinds there is the option of a leather covered headrail at an additional cost.
- Leather covered slats cannot be specified with decorative (external) slat tapes. The blind hardware is supplied matching the slat colour.

B. SIDE GUIDES



Additional parts:

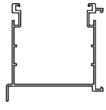
- 2x SG 8235 Side guide wire base short
- 2x SG 8237 Side guide wire holder
- 4x SG 8249 Side guide device
- 2x SG 10120 Side guide wire \varnothing 0.9 mm

Note:

- Up to 15° from vertical

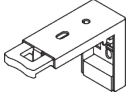
PARTS

A. STANDARD PARTS



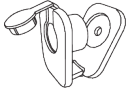
SG 8902

Profile



SG 8920

Bracket



SG 10731

Child safety retainer set

B. OPTIONAL PARTS



SG 8235

Side guide wire base short



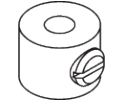
SG 8236

Side guide wire base long



SG 8237

Side guide wire holder



SG 8249

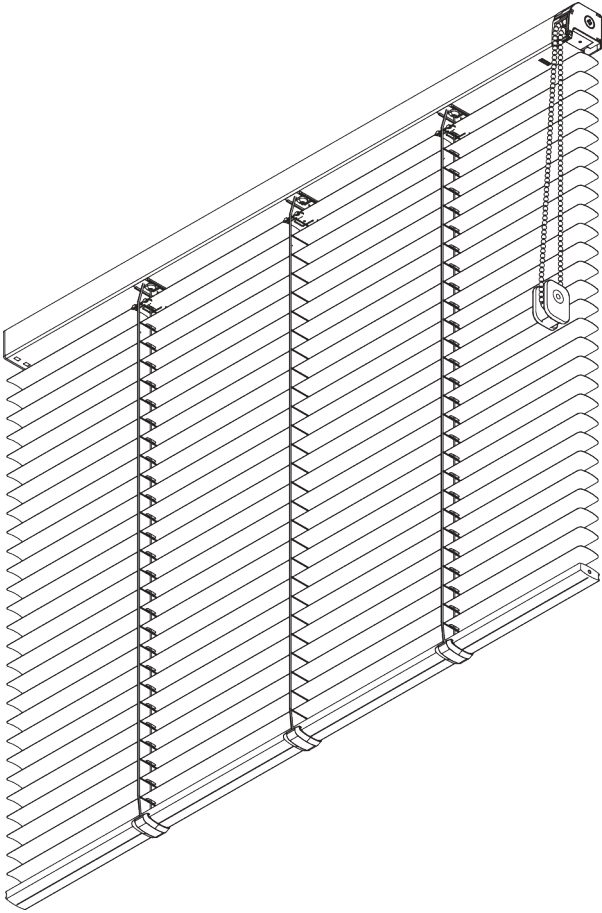
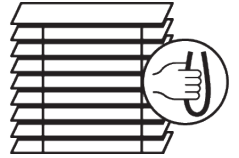
Side guide device



SG 10120

Side guide wire \varnothing 0.9 mm

SG 8300



PRODUCT INFORMATION

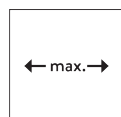
- **Operation:** chain
- **Range:** S - M
- **Fitting:** ceiling, wall
- **Colours:** refer to Silent Gliss slat collection

Features:

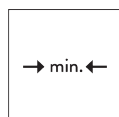
- Optimised light control
- Mono controlled
- Stainless steel bead chain
- Slat width: 25 mm (standard), 16 mm

SYSTEM SPECIFICATIONS

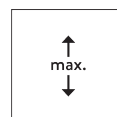
A. SYSTEM DIMENSIONS



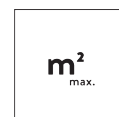
3 m



50 cm



3 m



4.5 m²

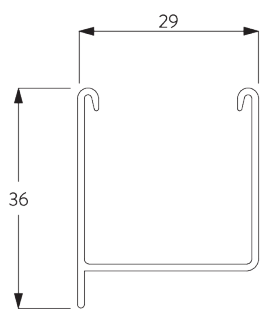
Slat stack heights

		50	100	150	200	250	300
16 / 25 mm	X	7	9	11	13	15	17

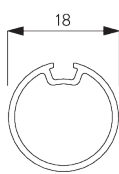
(cm)

B. PROFILE

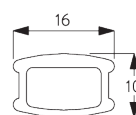
Profile information



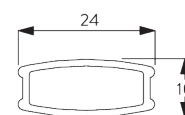
SG 8301
Profile



SG 8214
Profile ø 18 mm

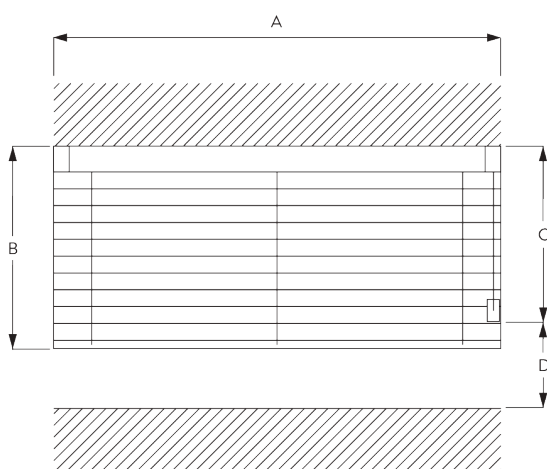


SG 8003
Bottom bar 16 mm



SG 8004
Bottom bar 24 mm

C. HOW TO MEASURE



- A: System width
- B: System height
- C: Chain height
- D: Safety Retainer SG 10731 min. 150 cm above floor

D. SPECIFICATION
TEXT

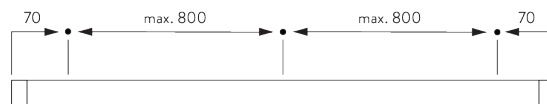
Silent Gliss SG 8300 Chain Operated Venetian Blind System. Supplied made to measure and complete comprising aluminium headrail SG 8301 incorporating flange to minimise light ingress at top of blind. Single chain operation RHS / LHS. System fixed with Snap-on-brackets SG 8302 to ceiling / wall at 800-1000mm intervals plus one 70mm from each end. Compliant to Child Safety legislation EN 13120 when used in conjunction with either the chain retainer SG 10400 or child safety device SG 10482. Slat colour to be chosen from Silent Gliss 16/25mm range, Price Group 1 / 2 / 3.

FITTING OPTIONS

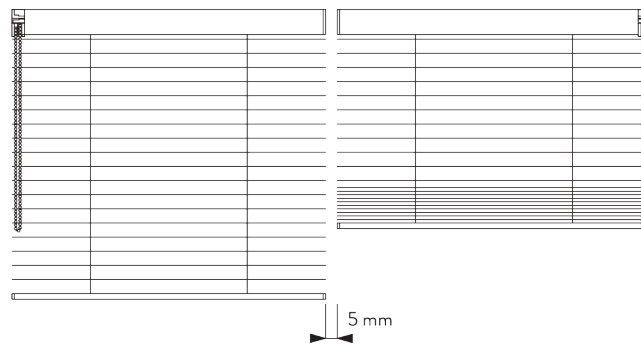
A. FITTING
INFORMATION

For detailed fitting information, visit the Silent Gliss website.

Fixing points



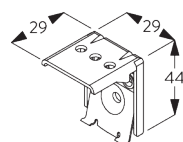
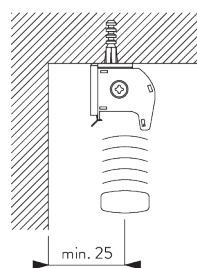
Side-by-side fitting



Min. distance: 5 mm

B. CEILING FITTING

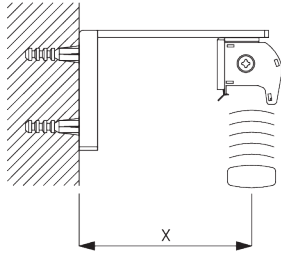
Bracket SG 8302



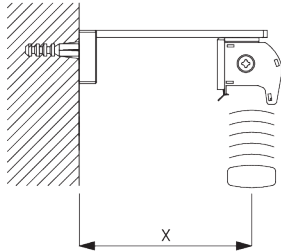
SG 8302
Bracket

C. WALL FITTING

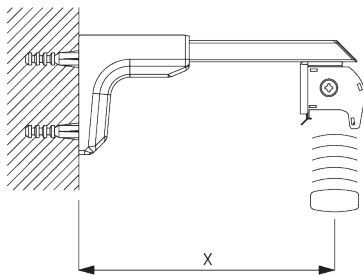
Smart Fix



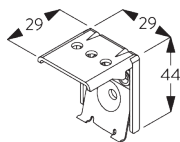
Smart Fix SG 11200 - SG 11201 and bracket SG 8302:
Screw SG 10395 (M4x6) needed.



**Square Smart Fix SG 11210 - SG 11211
and bracket SG 8302:**
Screw SG 10395 (M4x6) needed.



**Universal Smart Fix SG 11154 - SG 11156
and bracket SG 8302:**
Screw SG 10407 (M4x10) needed.



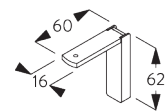
SG 8302
Bracket



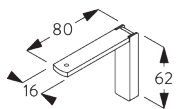
SG 10395
Pan head screw M4x6



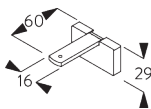
SG 10407
Pan head screw M4x10



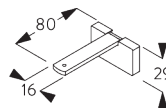
SG 11200
Smart Fix 60 mm



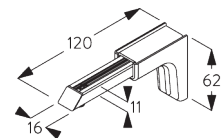
SG 11201
Smart Fix 80 mm



SG 11210
Square Smart Fix 60 mm

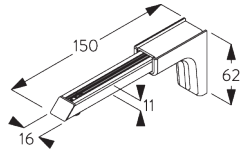


SG 11211
Square Smart Fix 80 mm

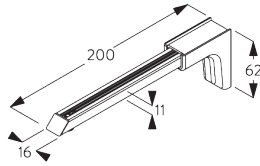


SG 11154
Universal Smart Fix 120 mm

Smart Fix	X mm
SG 11200 / SG 11210	59
SG 11201 / SG 11211	79
SG 11154	109-137
SG 11155	139-167
SG 11156	189-217

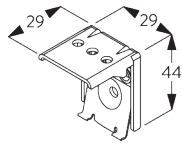
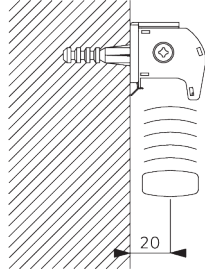


SG 11155
Universal Smart Fix 150 mm



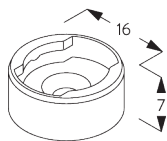
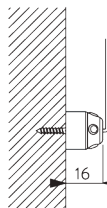
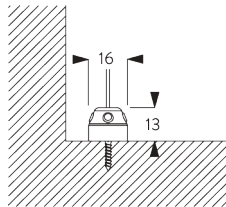
SG 11156
Universal Smart Fix 200 mm

Bracket SG 8302

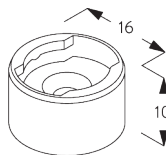


SG 8302
Bracket

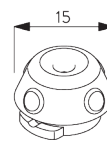
**D. FITTING WITH
SIDE GUIDE
OPTION**



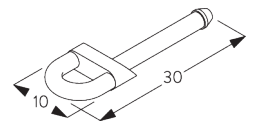
SG 8235
Side guide wire base short



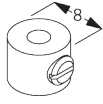
SG 8236
Side guide wire base long



SG 8237
Side guide wire holder

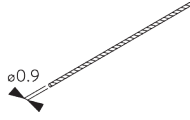


SG 8241
Side guide eyelet



SG 8249

Side guide device

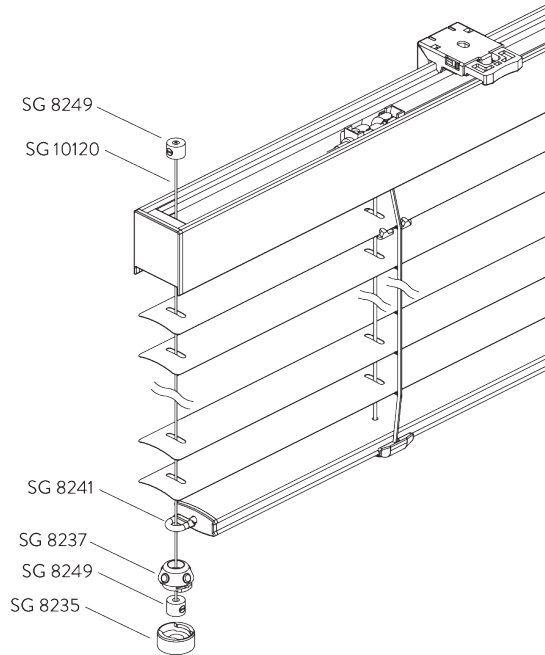


SG 10120

Side guide wire \varnothing 0.9 mm

SYSTEM OPTIONS

A. SIDE GUIDES



Additional parts:



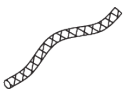


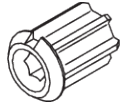


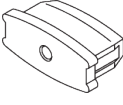
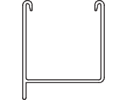
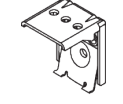
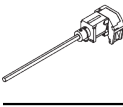
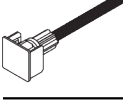
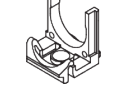
- 2x SG 8235 Side guide wire base short
- 2x SG 8237 Side guide wire holder
- 2x SG 8241 Side guide eyelet
- 4x SG 8249 Side guide device
- 2x SG 10120 Side guide wire \varnothing 0.9 mm

Note:





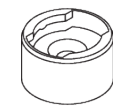
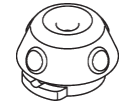
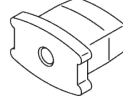
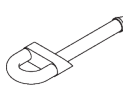
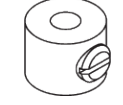
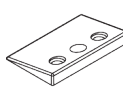
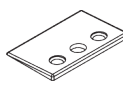
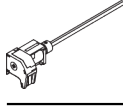
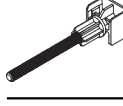
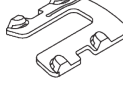
- Up to 15° from vertical

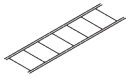
PARTS

A. STANDARD PARTS

	SG 8004 Bottom bar 24 mm
	SG 8007 Slat 25 mm
	SG 8011 Lift cord ø 1.2 mm
	SG 8013 Bottom clip 25 mm
	SG 8214 Profile ø 18 mm
	SG 8215 Tube adapter
	SG 8222 Ring
	SG 8224 Pin
	SG 8239 End cover 25 mm
	SG 8301 Profile
	SG 8302 Bracket
	SG 8305 Chain drive right
	SG 8317 Spindle left
	SG 8321 Support

B. OPTIONAL PARTS

	SG 8003 Bottom bar 16 mm
	SG 8006 Slat 16 mm
	SG 8012 Bottom clip 16 mm
	SG 8235 Side guide wire base short
	SG 8236 Side guide wire base long
	SG 8237 Side guide wire holder
	SG 8238 End cover 16 mm
	SG 8241 Side guide eyelet
	SG 8249 Side guide device
	SG 8262 Spacer 10°
	SG 8263 Spacer 4°
	SG 8306 Chain drive left
	SG 8316 Spindle right
	SG 10109 Slat clip 16 mm

**SG 10116**

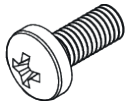
Ladder cord 16 mm

**SG 10120**

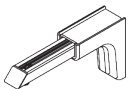
Side guide wire ø 0.9 mm

**SG 10395**

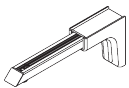
Pan head screw M4x6

**SG 10407**

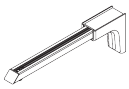
Pan head screw M4x10

**SG 11154**

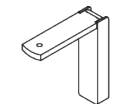
Universal Smart Fix 120 mm

**SG 11155**

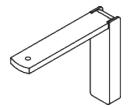
Universal Smart Fix 150 mm

**SG 11156**

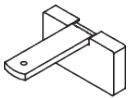
Universal Smart Fix 200 mm

**SG 11200**

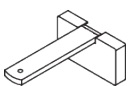
Smart Fix 60 mm

**SG 11201**

Smart Fix 80 mm

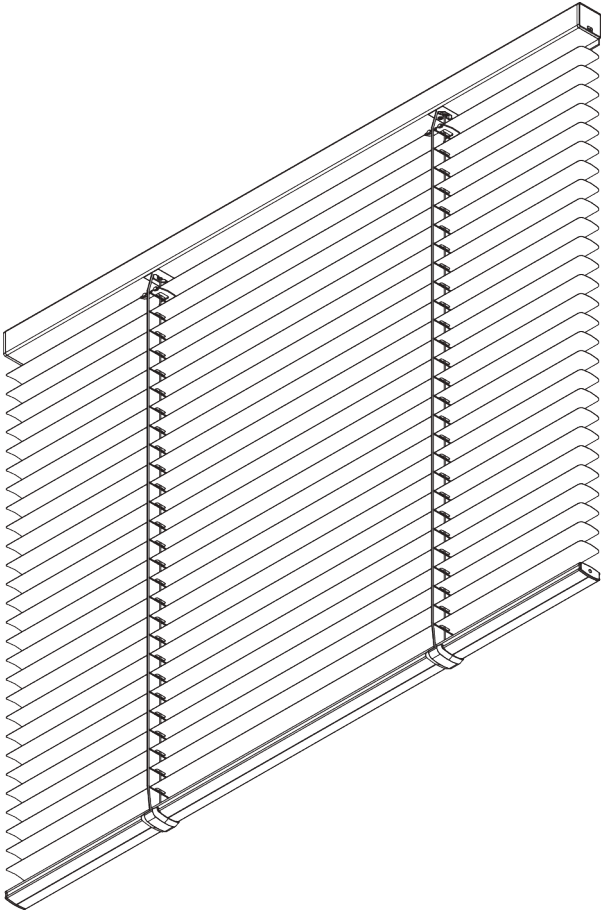
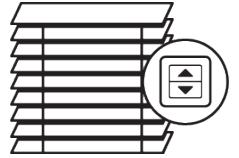
**SG 11210**

Square Smart Fix 60 mm

**SG 11211**

Square Smart Fix 80 mm

SG 8250



PRODUCT INFORMATION

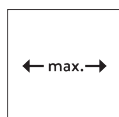
- **Operation:** motorised
- **Range:** S - M
- **Fitting:** ceiling, wall
- **Colours:** refer to Silent Gliss slat collection

Features:

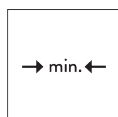
- Optimised light control
- Various control options
- Slat width: 25 mm (standard), 16 mm

SYSTEM SPECIFICATIONS

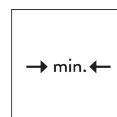
A. SYSTEM DIMENSIONS



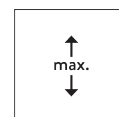
3 m



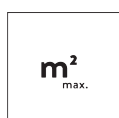
65 cm
(up to a height of 2 m)



80 cm
(up to a height of 3.4 m)



3.4 m



5 m²

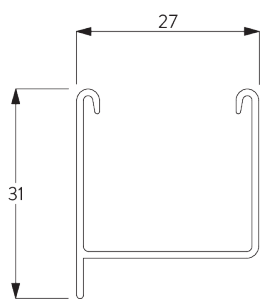
Slat stack heights

			50	100	150	200	250	300
16 / 25 mm	X	6	8	10	12	14	15	17

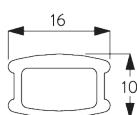
(cm)

B. PROFILE

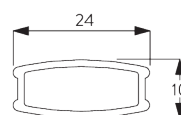
Profile information



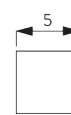
SG 8102
Profile



SG 8003
Bottom bar 16 mm

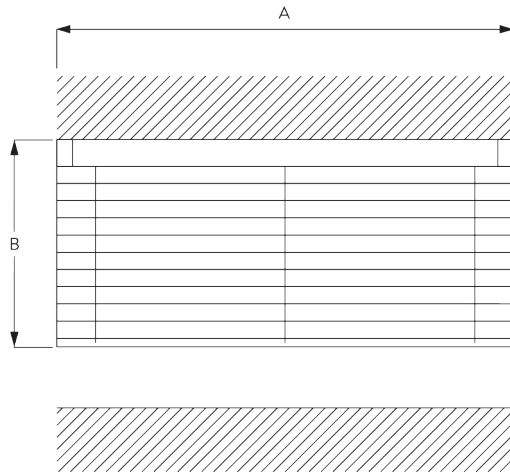


SG 8004
Bottom bar 24 mm



SG 8025
Shaft

**C. HOW TO
MEASURE**



A: System width
B: System height

**D. SPECIFICATION
TEXT**

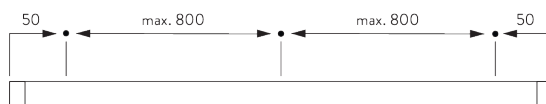
Silent Gliss SG 8250 Electrically Operated Venetian Blind System. Supplied made to measure and complete comprising aluminium headrail SG 8102 incorporating a flange to minimise light ingress at top of blind. Fixed to ceiling or wall with snap on brackets SG 8201 at 800-1000mm intervals plus one at 60mm from each end. Operation by integrated 24V DC motor SG 8060 controlled by fixed switch / third party control system subject to suitable interface by others / radio control systems SG Control L / SG Control R. All wireless controls at extra cost. Slat colour to be chosen from Silent Gliss 16/25mm range Price Group 1 / 2 / 3.

FITTING

**A. FITTING
INFORMATION**

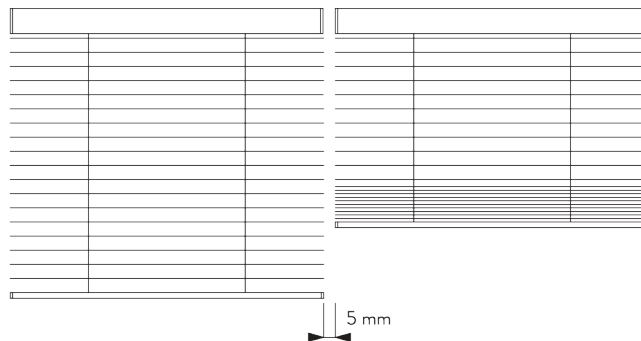
For detailed fitting information, visit the Silent Gliss website.

Fixing points



Note:
Never position the brackets SG 8201 on the take up reels.

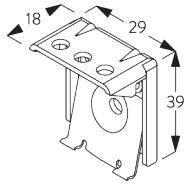
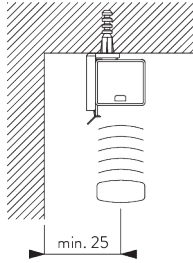
Side-by-side fitting



Min. distance: 5 mm

B. CEILING FITTING

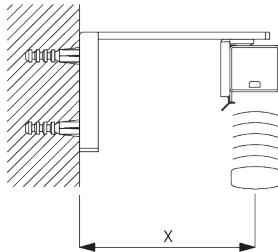
Bracket SG 8201



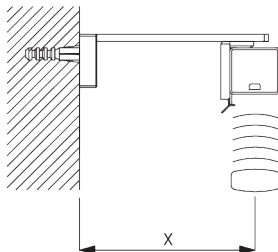
SG 8201
Bracket

C. WALL FITTING

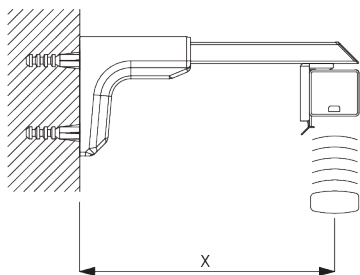
Smart Fix



Smart Fix SG 11200 - SG 11203 and bracket SG 8201:
Screw SG 10395 (M4x6) needed.

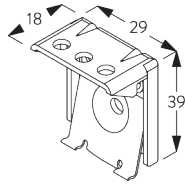


Square Smart Fix SG 11210 - SG 11213 and bracket SG 8201:
Screw SG 10395 (M4x6) needed.



Universal Smart Fix SG 11154 - SG 11156 and bracket SG 8201:
Screw SG 10407 (M4x10) needed.

Smart Fix	X mm
SG 11200 / SG 11210	57
SG 11201 / SG 11211	77
SG 11202 / SG 11212	97
SG 11203 / SG 11213	117
SG 11154	107-135
SG 11155	137-165
SG 11156	187-215



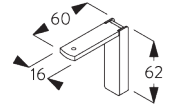
SG 8201
Bracket



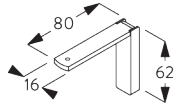
SG 10395
Pan head screw M4x6



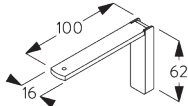
SG 10407
Pan head screw M4x10



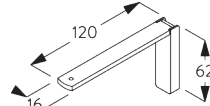
SG 11200
Smart Fix 60 mm



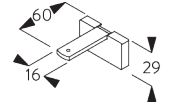
SG 11201
Smart Fix 80 mm



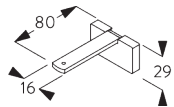
SG 11202
Smart Fix 100 mm



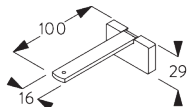
SG 11203
Smart Fix 120 mm



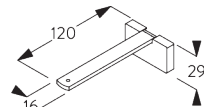
SG 11210
Square Smart Fix 60 mm



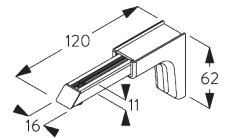
SG 11211
Square Smart Fix 80 mm



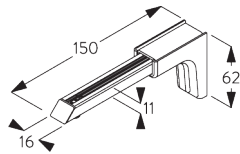
SG 11212
Square Smart Fix 100 mm



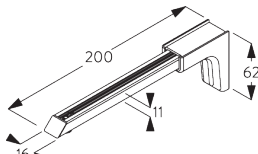
SG 11213
Square Smart Fix 120 mm



SG 11154
Universal Smart Fix 120 mm

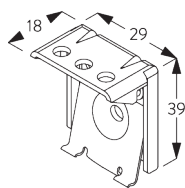
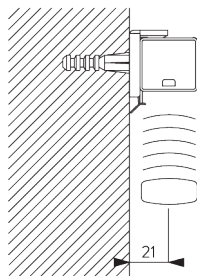


SG 11155
Universal Smart Fix 150 mm



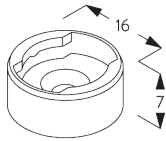
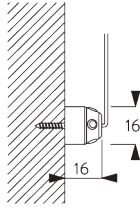
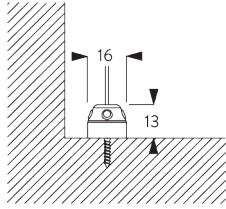
SG 11156
Universal Smart Fix 200 mm

Bracket SG 8201

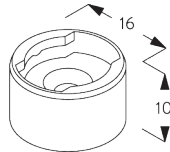


SG 8201
Bracket

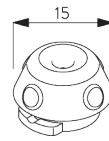
**D. FITTING WITH
SIDE GUIDE
OPTION**



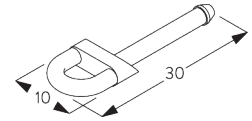
SG 8235
Side guide wire base short



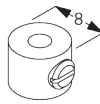
SG 8236
Side guide wire base long



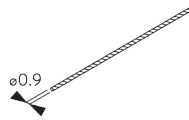
SG 8237
Side guide wire holder



SG 8241
Side guide eyelet



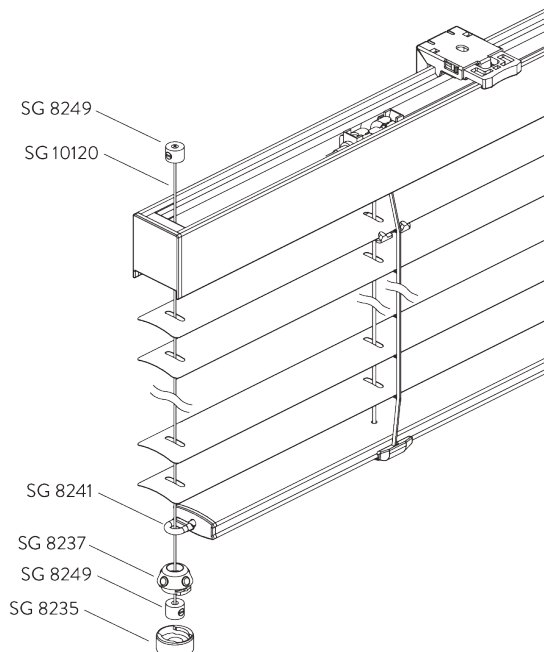
SG 8249
Side guide device



SG 10120
Side guide wire \varnothing 0.9 mm

SYSTEM OPTIONS

A. SIDE GUIDES



Additional parts:

- 2x SG 8235 Side guide wire base short
- 2x SG 8237 Side guide wire holder
- 2x SG 8241 Side guide eyelet
- 4x SG 8249 Side guide device
- 2x SG 10120 Side guide wire \varnothing 0.9 mm

Note:

- Up to 15° from vertical

MOTOR & CONTROLS

A. MOTOR FEATURES

Motor	SG 8060
Motor Features	
Mechanical end-stop	●
IP class	IP 20
Control Features	
SG Control L (external receiver required)	●
SG Control R (external receiver required)	●
Suitable for most major home automation systems (with suitable interface)	●

B. MOTOR SPECIFICATIONS

Motor	Voltage	Current	Speed
SG 8060	24 V DC	0.65 A	30 rpm

C. OPERATING METHODS

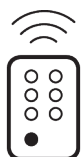
See catalogue "controls" for details.

Wall Switch



System can be operated by fixed wall switch.

SG Control L

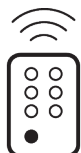


Various radio hand-held and wall transmitters available. An external receiver is required.



Silent Gliss Move App.

SG Control R



Various radio hand-held and wall transmitters available. An external receiver is required.




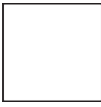


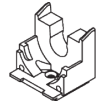
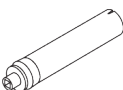
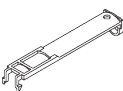
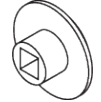
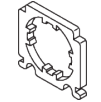

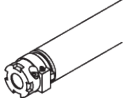
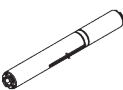
D. WIRING
DIAGRAMS



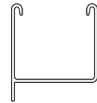
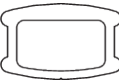
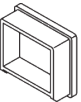
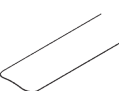


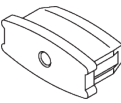
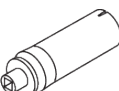
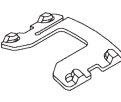
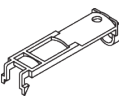
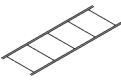



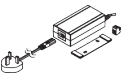
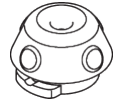
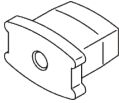
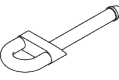
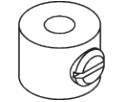
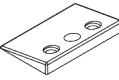
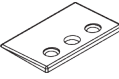
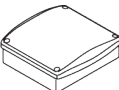
Refer to Silent Gliss website.

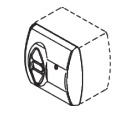
PARTS

A. STANDARD PARTS

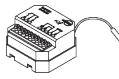
	SG 8004 Bottom bar 24 mm
	SG 8007 Slat 25 mm
	SG 8013 Bottom clip 25 mm
	SG 8025 Shaft
	SG 8038 Shaft adaptor long
	SG 8039 Stop ring
	SG 8041 Bearing
	SG 8042 Cone long
	SG 8044 Cover long
	SG 8046 Ring
	SG 8047 Profile adaptor
	SG 8048 Shaft adaptor short
	SG 8049 End stop AMS 25
	SG 8060 Motor 24V DC, 0,8/40

B. OPTIONAL PARTS

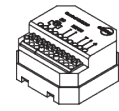
	SG 8102 Profile		SG 8003 Bottom bar 16 mm
	SG 8106 End cover 25 mm		SG 8006 Slat 16 mm
	SG 8201 Bracket		SG 8012 Bottom clip 16 mm
	SG 8239 End cover 25 mm		SG 8043 Cone short
	SG 10104 Slat clip 25 mm		SG 8045 Cover short
	SG 10117 Ladder cord 25 mm		SG 8235 Side guide wire base short
	SG 10119 Lift cord ø 1.4 mm		SG 8236 Side guide wire base long
	SG 11425 Power supply 24V / 2A including cable with UK plug		SG 8237 Side guide wire holder
			SG 8238 End cover 16 mm
			SG 8241 Side guide eyelet
			SG 8249 Side guide device
			SG 8262 Spacer 10°
			SG 8263 Spacer 4°
			SG 9052 Transformer power supply 2.5



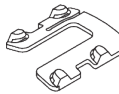
SG 9065
Programmable switch



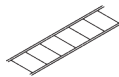
SG 9068
Radio receiver Revio



SG 9947
Control unit DC 24V



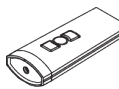
SG 10109
Slat clip 16 mm



SG 10116
Ladder cord 16 mm



SG 10120
Side guide wire ø 0.9 mm



SG 10300
Radio hand held 1 channel



SG 10302
Radio hand held 5+1 channel



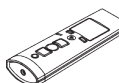
SG 10303
Radio hand held 10+2+1 channel



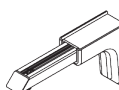
SG 10395
Pan head screw M4x6



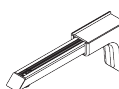
SG 10407
Pan head screw M4x10



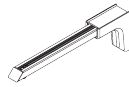
SG 10804
Radio hand held 15+5+1 channel



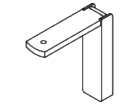
SG 11154
Universal Smart Fix 120 mm



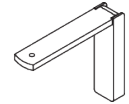
SG 11155
Universal Smart Fix 150 mm



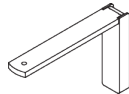
SG 11156
Universal Smart Fix 200 mm



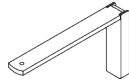
SG 11200
Smart Fix 60 mm



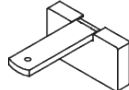
SG 11201
Smart Fix 80 mm



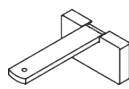
SG 11202
Smart Fix 100 mm



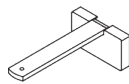
SG 11203
Smart Fix 120 mm



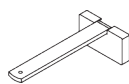
SG 11210
Square Smart Fix 60 mm



SG 11211
Square Smart Fix 80 mm



SG 11212
Square Smart Fix 100 mm



SG 11213
Square Smart Fix 120 mm



SG 11480
Radio wall transmitter 1 channel



SG 11490
Radio wall transmitter 5+1 channel



SG 20336
Hand held transmitter 8 channel



SG 20907
Control module motor type R

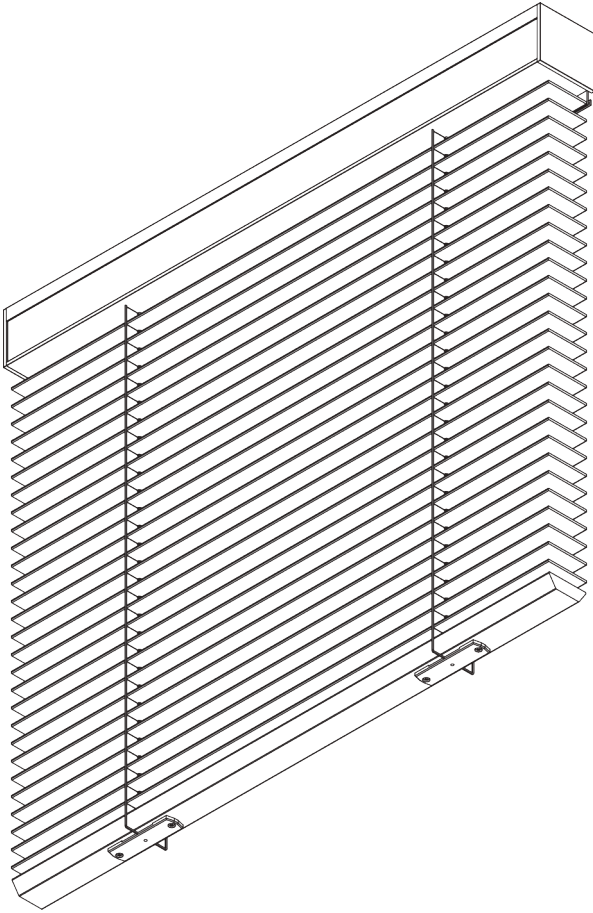
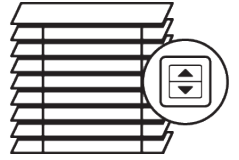


SG 20913
Wall switch single channel



SG 20914
Wall switch 8 channel

SG 8960



PRODUCT INFORMATION

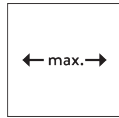
- **Operation:** motorised
- **Range:** L
- **Fitting:** ceiling, wall
- **Colours:** refer to Silent Gliss slat collection

Features:

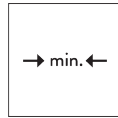
- Optimised light control
- Various control options
- Wood, aluminium and leather slats
- Slat width: 50 mm
- Headrail slat cover
- Choice of ladder cord or decorative slat tape

SYSTEM SPECIFICATIONS

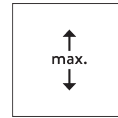
A. SYSTEM DIMENSIONS



Wood / Leather: 2.4 m
Aluminium: 3.6 m



65 cm



Wood / Leather: 2.75 m
Aluminium: 3.6 m



Wood / Leather: 4.6 m²
Aluminium: 10 m²

Slat stack heights

Note: stack size will be larger when tapes are used

Wooden

	50 mm	X								
			60	90	120	150	180	210	240	275
			12	15	17	20	22	25	27	30

(cm)

Leather

	50 mm	X								
			60	90	120	150	180	210	240	275
			16	18	20	22	24	26	28	30

(cm)

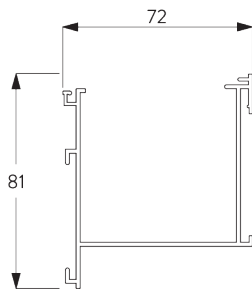
Aluminium

	50 mm	X				
			100	200	300	360
			10	13	17	20

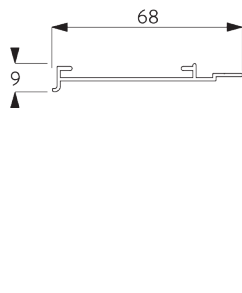
(cm)

B. PROFILE

Profile information

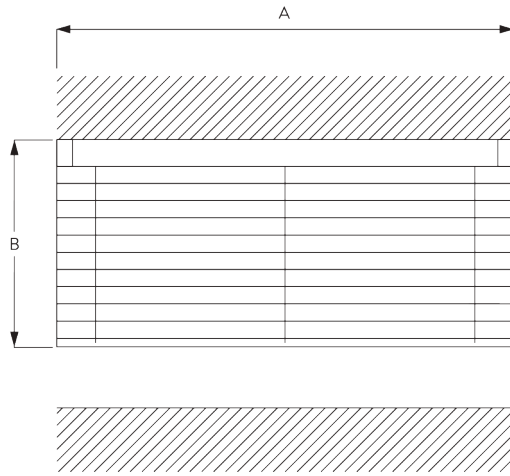


SG 8935
Profile



SG 8936
Profile

**C. HOW TO
MEASURE**



A: System width
B: System height

**D. SPECIFICATION
TEXT**

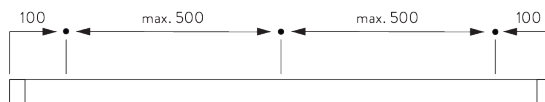
Silent Gliss SG 8960 Electrically Operated Venetian Blind System. Supplied made to measure and complete comprising aluminium headrail SG 8935 and cover SG 8936 incorporating matching colour slat. System fixed with clamps SG 3033 to ceiling or wall at 450mm intervals plus one at 100mm from each end. Supplied with motor SG 11095 with operation by 5 position switch SG 0613 which permits raising, lowering and tilting of the slats / operation by third party control system subject to suitable interface by others. Optional motor SG 11096 with integrated receiver for use with radio control system SG Control L (hand, wall mounted transmitters and SG Move app). Can be switched by SG Control R radio control system by external receiver. All wireless controls at extra cost. Slat colours to be chosen from Silent Gliss 50mm aluminium / wood / leather range.

FITTING

**A. FITTING
INFORMATION**

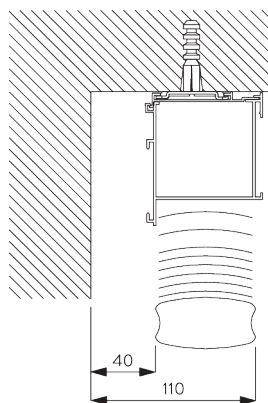
For detailed fitting information, visit the Silent Gliss website.

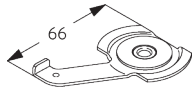
Fixing points



B. CEILING FITTING

Clamp SG 3003



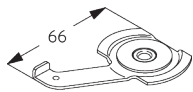
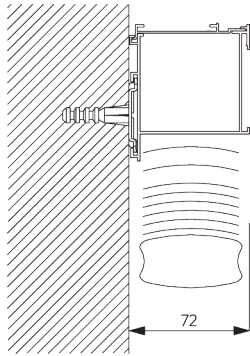


SG 3003

Clamp

C. WALL FITTING

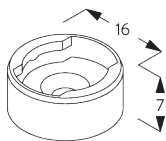
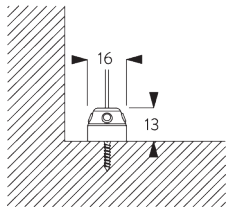
Clamp SG 3003



SG 3003

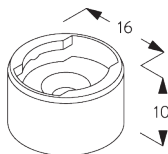
Clamp

**D. FITTING WITH
SIDE GUIDE
OPTION**



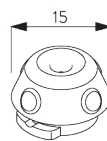
SG 8235

Side guide wire base short



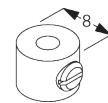
SG 8236

Side guide wire base long



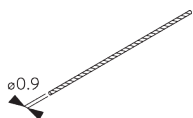
SG 8237

Side guide wire holder



SG 8249

Side guide device

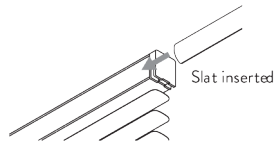


SG 10120

Side guide wire \varnothing 0.9 mm

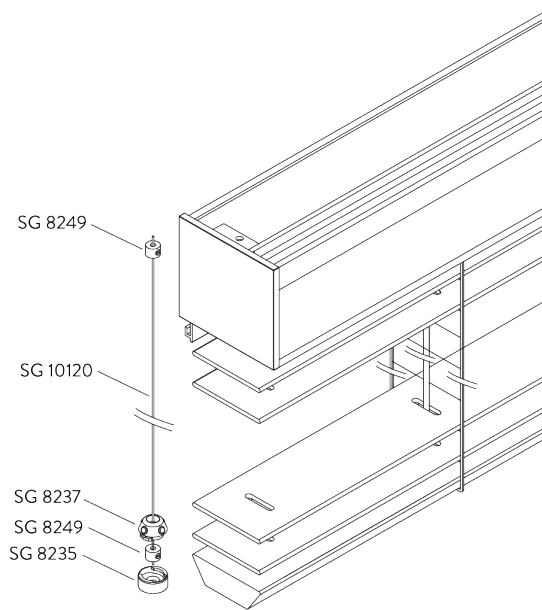
SYSTEM OPTIONS

A. HEADRAIL SLAT COVER



- A slat is inserted into the headrail for perfect matching of colours and materials to avoid the need to fit a cumbersome valance.
- For leather slat blinds there is the option of a leather covered headrail at an additional cost.
- Leather covered slats cannot be specified with decorative (external) slat tapes. The blind hardware is supplied matching the slat colour.

B. SIDE GUIDES



Additional parts:

- 2x SG 8235 Side guide wire base short
- 2x SG 8237 Side guide wire holder
- 4x SG 8249 Side guide device
- 2x SG 10120 Side guide wire \varnothing 0.9 mm

Note:

- Up to 15° from vertical

MOTOR & CONTROLS

A. MOTOR FEATURES

Motors	SG 11095	SG 11096	SG 11328
Motor Features			
Soft start / stop	•	•	
Built-in receiver		•	
Electronic end-stop	•	•	
Electronic revolution counter (unlimited revolution)	•	•	
Mechanical end-stop			•
Mechanical revolution counter (limited revolution)			•
Intermediate positions possible		•	
Noiseless stop	•	•	•
IP class	IP 54	IP 54	IP 44
Control Features			
Mains power control	•		•
SG Control L (built-in receiver)		•	
SG Control L (external receiver required)			•
SG Control R (external receiver required)	•		
Suitable for most major home automation systems (with suitable interface)	•	•	•

B. MOTOR SPECIFICATIONS

Motors	Voltage	Current	Frequency	Speed	Frequency receiver
SG 11095	230 V AC	0.5 A	50 Hz	35 rpm	n/a
SG 11096	230 V AC	0.5 A	50 Hz	35 rpm	868 MHz
SG 11328	120 V AC	1.3 A	60 Hz	30 rpm	n/a

C. OPERATING METHODS

See catalogue "controls" for details.

Wall Switch



System can be operated by fixed wall switch.

SG Control L



Various radio hand-held and wall transmitters available.



Silent Gliss Move App.

SG Control R



*Various radio hand-held and wall transmitters available.
An external receiver is required.*

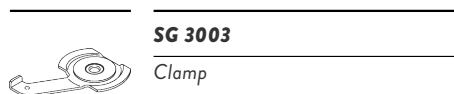
D. WIRING
DIAGRAMS



Refer to Silent Gliss website.

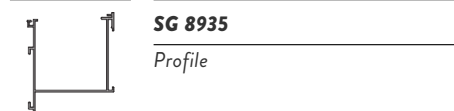
PARTS

A. STANDARD PARTS



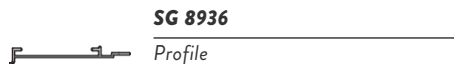
SG 3003

Clamp



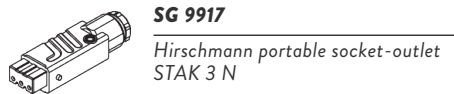
SG 8935

Profile



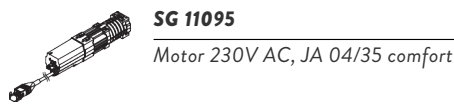
SG 8936

Profile



SG 9917

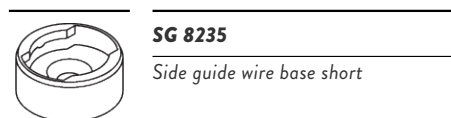
Hirschmann portable socket-outlet
STAK 3 N



SG 11095

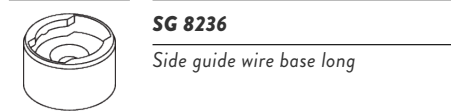
Motor 230V AC, JA 04/35 comfort

B. OPTIONAL PARTS



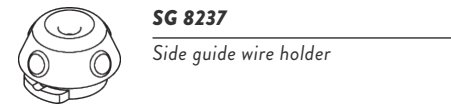
SG 8235

Side guide wire base short



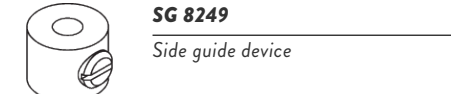
SG 8236

Side guide wire base long



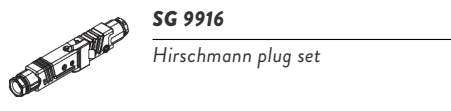
SG 8237

Side guide wire holder



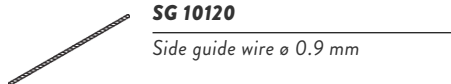
SG 8249

Side guide device



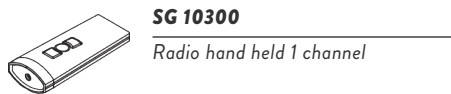
SG 9916

Hirschmann plug set



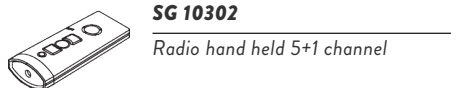
SG 10120

Side guide wire \varnothing 0.9 mm



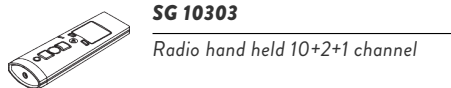
SG 10300

Radio hand held 1 channel



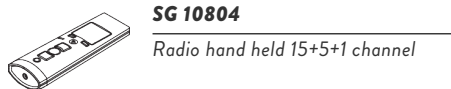
SG 10302

Radio hand held 5+1 channel



SG 10303

Radio hand held 10+2+1 channel



SG 10804

Radio hand held 15+5+1 channel



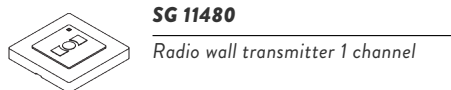
SG 11096

Motor 230V AC, JA 04/35
comfort, radio receiver



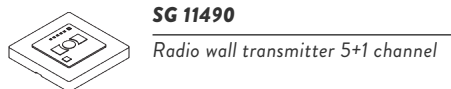
SG 11328

Motor 120V AC, JA 08/30 soft, UL



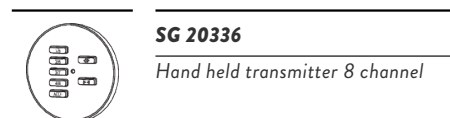
SG 11480

Radio wall transmitter 1 channel



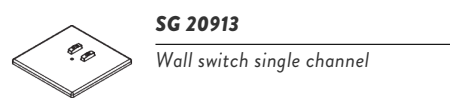
SG 11490

Radio wall transmitter 5+1 channel



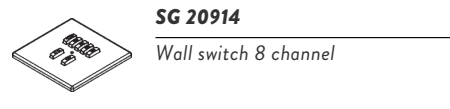
SG 20336

Hand held transmitter 8 channel



SG 20913

Wall switch single channel



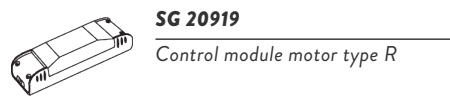
SG 20914

Wall switch 8 channel



SG 20917

Pattress box



SG 20919

Control module motor type R

The Architects of Silence

Silent Gliss is the leading global supplier of premium interior window treatments. Since 1952 we have been tirelessly committed to the development of the world's smoothest, quietest systems using state of the art technology.

Driven by customer needs, Silent Gliss offers functional and durable products. Expert technical advice coupled with installation and support services complete the offer. Silent Gliss stands for innovative, sustainable, tailor made solutions, exceptional design and first-class quality.

Silent Gliss Ltd.

Pyramid Business Park
Poorhole Lane, Broadstairs
Kent CT10 2PT
United Kingdom
T +44 1843 863571
F +44 1843 864503
info@silentgliss.co.uk

Silent Gliss Global Ltd.

Pyramid Business Park
Poorhole Lane, Broadstairs
Kent CT10 2PT
United Kingdom
T +44 1843 874250
F +44 1843 864503
info@silentglissglobal.com

Silent Gliss Blinds Trading LLC

Office 1906
The H Hotel Complex
Trade Center First
Dubai
United Arab Emirates
T +971 4 7050318
info@silentgliss.ae

silentgliss.co.uk
silentglissglobal.com
silentgliss.ae