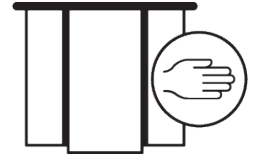
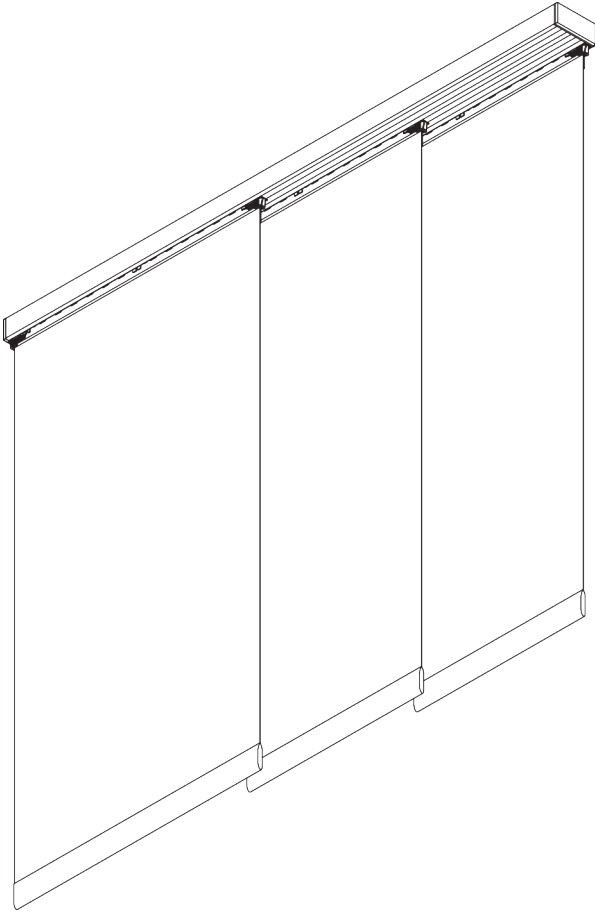


# SG 2730



## FLEX



### PRODUCT INFORMATION

- **Operation:** hand
- **Range:** S - L
- **Fitting:** ceiling, wall
- **Colours:** white RAL 9016, anodised aluminum
- **Fabrics:** refer to Silent Gliss fabric collection

#### **Features:**

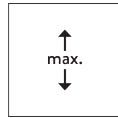
- 2-component (2C) roller technology
- Silent and smooth running
- Free floating or connected panels
- Bendable

# SYSTEM SPECIFICATIONS

## A. SYSTEM DIMENSIONS



Panels free floating:  
unlimited  
Panels connected: 6 m



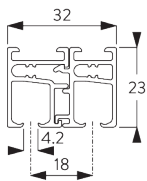
3 m



Max. 2 kg per m

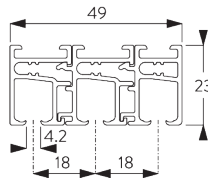
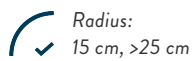
## B. PROFILE

Profile and bending information



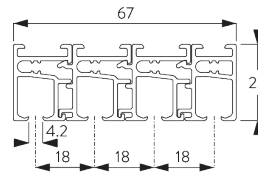
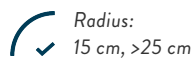
**SG 10132**

Profile 2-channel



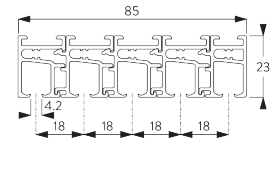
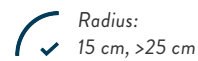
**SG 10133**

Profile 3-channel



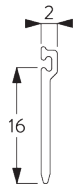
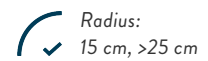
**SG 10134**

Profile 4-channel



**SG 10135**

Profile 5-channel



**SG 10179**

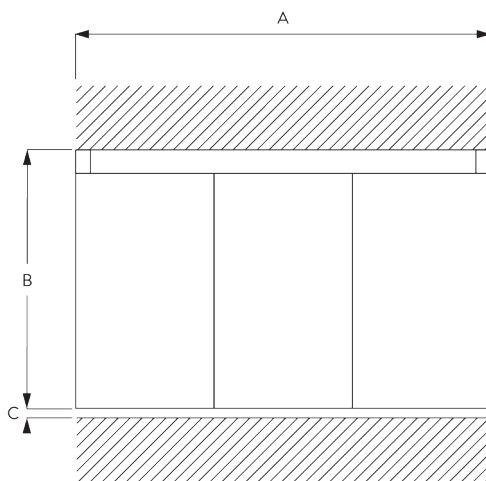
Profile



**SG 10180**

Carrier flexible

## C. HOW TO MEASURE

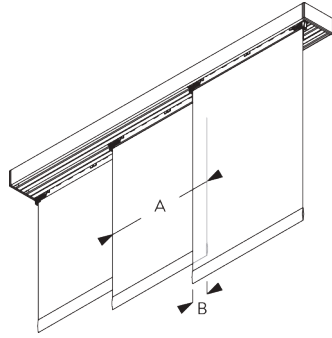


A: System width

B: System height

C: Distance between floor and fabric

## Dimensions of Panels



### Free floating:

A: Recommended panel width: 500 - 1200

### Connected:

A: Recommended panel width: 500 - 1200

B: Overlap: min. 50

## D. SPECIFICATION TEXT

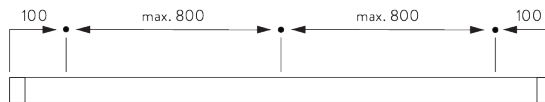
**Silent Gliss SG 2730 Flex Panel Glide System.** Curved panel glide system supplied made to measure and complete comprising profiles SG 10132 / SG 10133 / SG 10134 / SSG 10135 as necessary with carrier SG 10180 with associated components and flexible lead bottom weight SG 10233. Fabric panels stack right hand single / left hand single / pair / centre. Hand operated with panels unconnected / connected using draw rod SG 10430 / SG 10431 / SG 10432 / SG 10433 / SG 10434. Ceiling fix direct with suitable screw. Wall fix with Smart Fix brackets SG 11206-11208 / Square Smart Fix brackets SG 11216 - 11218 with slot nut SG 10160. Fabric to be chosen from Silent Gliss fabric collection, Price Group 1 / 2 / 3.

# FITTING

## A. FITTING INFORMATION

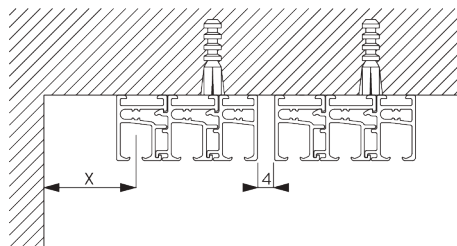
For detailed fitting information, visit the Silent Gliss website.

### Fixing points



## B. CEILING FITTING

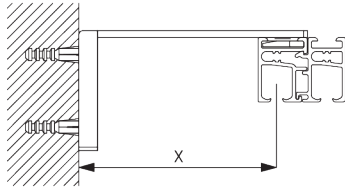
### Direct fitting



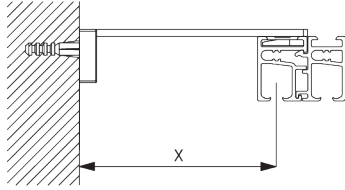
X = depending on room conditions

## C. WALL FITTING

### Smart Fix

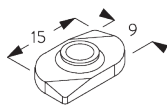


**Smart Fix with slot SG 11206 - SG 11208:**  
Screw SG 10395 (M4x6) needed.



**Square Smart Fix with slot SG 11216 - SG 11218:**  
Screw SG 10395 (M4x6) needed.

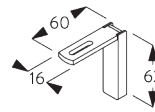
Smart Fix	X mm (SG 10132)	X mm (SG 10133)	X mm (SG 10134)	X mm (SG 10135)
SG 11206 / SG 11216	50	32	-	-
SG 11207 / SG 11217	70	52	34	-
SG 11208 / SG 11218	90	72	44	on request



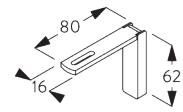
**SG 10160**  
Slot nut



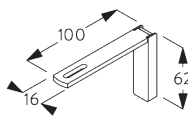
**SG 10395**  
Pan head screw M4x6



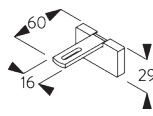
**SG 11206**  
Smart Fix with slot 60 mm



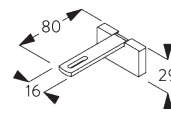
**SG 11207**  
Smart Fix with slot 80 mm



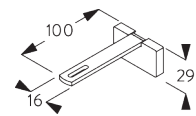
**SG 11208**  
Smart Fix with slot 100 mm



**SG 11216**  
Square Smart Fix with slot 60 mm



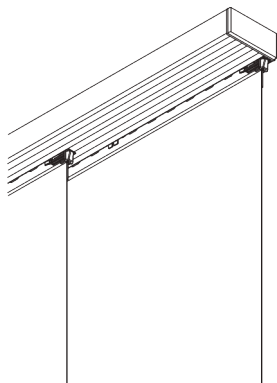
**SG 11217**  
Square Smart Fix with slot 80 mm



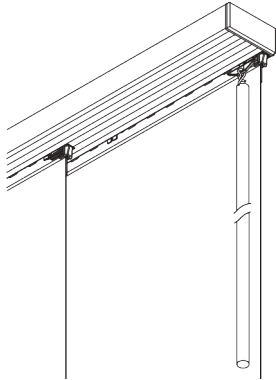
**SG 11218**  
Square Smart Fix with slot 100 mm

# SYSTEM OPTIONS

## A. OPERATION



Free floating (unconnected panels)



**B. PANEL STACKING  
(CONNECTED)**



Single stack  
Note: dot = fixed panel

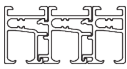


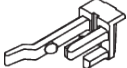

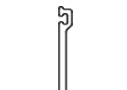

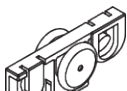


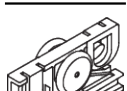



Pair stack  
Other variations are possible. Same splitting for curved profiles.




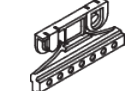
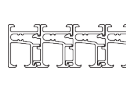



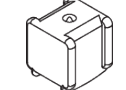










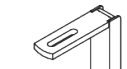
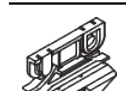
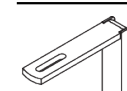


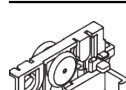
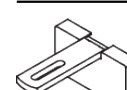
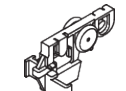
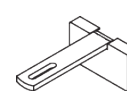
Note: dot = fixed panel

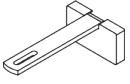
# PARTS

## A. STANDARD PARTS

	<b>SG 10133</b> Profile 3-channel
	<b>SG 10159</b> Countersunk head screw 3.5x13
	<b>SG 10163</b> End cover
	<b>SG 10167</b> Clip left
	<b>SG 10168</b> Clip right
	<b>SG 10179</b> Profile
	<b>SG 10180</b> Carrier flexible
	<b>SG 10200</b> 2C roller
	<b>SG 10233</b> Lead weight 100 gr/m
	<b>SG 10234</b> Fabric weight glass
	<b>SG 10237</b> Clip holder
	<b>SG 10248</b> Screw Pozi 4.5x70 mm SPAX

## B. OPTIONAL PARTS

	<b>SG 10076</b> Fabric weight		<b>SG 10243</b> Angle
	<b>SG 10132</b> Profile 2-channel		<b>SG 10244</b> Slider
	<b>SG 10134</b> Profile 4-channel		<b>SG 10281</b> Hexagon socket head cap screw M4x6
	<b>SG 10135</b> Profile 5-channel		<b>SG 10395</b> Pan head screw M4x6
	<b>SG 10156</b> End stop		<b>SG 10430</b> Draw rod 50 cm
	<b>SG 10160</b> Slot nut		<b>SG 10431</b> Draw rod 75 cm
	<b>SG 10162</b> End cover		<b>SG 10432</b> Draw rod 100 cm
	<b>SG 10164</b> End cover		<b>SG 10433</b> Draw rod 125 cm
	<b>SG 10165</b> End cover		<b>SG 10434</b> Draw rod 150 cm
	<b>SG 10177</b> Connection bridge		<b>SG 11206</b> Smart Fix with slot 60 mm
	<b>SG 10196</b> Eyelet for draw rod		<b>SG 11207</b> Smart Fix with slot 80 mm
	<b>SG 10235</b> Sticker for screw head		<b>SG 11208</b> Smart Fix with slot 100 mm
	<b>SG 10239</b> Angle left		<b>SG 11216</b> Square Smart Fix with slot 60 mm
	<b>SG 10241</b> Angle right		<b>SG 11217</b> Square Smart Fix with slot 80 mm



**SG 11218**

*Square Smart Fix with slot 100 mm*

---

